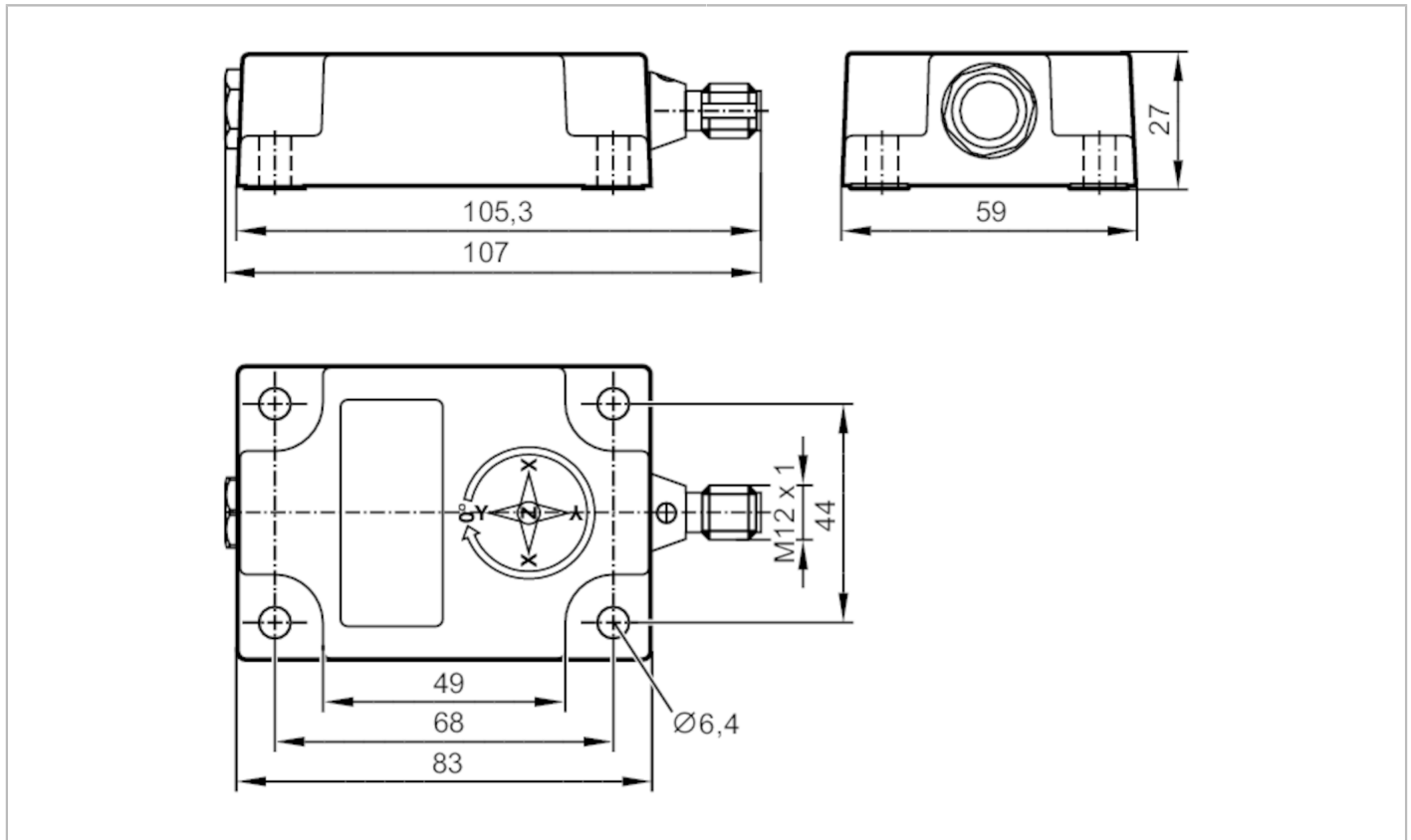


JD2110



Inclination sensor

INC-M2M180C-1-KG/US-H



Product characteristics	
Number of measurement axes	2; (X/Y)
Dimensions [mm]	27 x 59 x 105.3
Inclination measurement	
Angular range [°]	± 90
Application	
Application	High-precision inclination measurement in dynamic applications
Electrical data	
Operating voltage [V]	9...30 DC
Current consumption [mA]	< 65; (9 ... 30 V DC)
Min. insulation resistance [MΩ]	100; (500 V DC)
Protection class	III
Reverse polarity protection	yes
Reverse polarity protection	yes
Measuring/setting range	
Measuring principle	MEMS capacitive; (Acceleration sensor ; gyroscope)
Number of measurement axes	2
Number of measurement axes	2; (X/Y)

JD2110



Inclination sensor

INC-M2M180C-1-KG/US-H

Inclination measurement		
Angular range	[°]	± 90
Angular range	[°]	± 90
Measuring range acceleration	[g]	± 4
Measuring range vehicle yaw rate	[°/s]	± 500
Accuracy / deviations		
Repeatability	[°]	± 0,05
Resolution	[°]	0.01; (parameterisable)
Hysteresis	[°]	0.05
Temperature coefficient	[1/K]	≤ ± 0,008°
Dynamic measurement		
Accuracy	[°]	± 0,5
Static measurement		
Accuracy	[°]	± 0,3
Interfaces		
Communication interface		CAN
Number of CAN interfaces		1
Protocol		CANopen
Factory settings		Baud rate: 125 kBit/s node ID: 10
Version		CiA DS-410
Operating conditions		
Ambient temperature	[°C]	-40...85
Storage temperature	[°C]	-40...85
Protection		IP 67; IP 68; IP 69K
Tests / approvals		
EMC		DIN EN 61000-6-2
		DIN EN 61000-6-4
Shock resistance		DIN EN 60068-2-27
Vibration resistance		DIN EN 60068-2-6
MTTF	[years]	260
Mechanical data		
Weight	[g]	198
Dimensions	[mm]	27 x 59 x 105.3
Materials		housing: diecast aluminium black; potting compound: polyurethane resin
Displays / operating elements		
Display	preoperational mode	1 x LED, green
	operational mode	1 x LED, green flashing
	fault	1 x LED, red
Accessories		
Accessories (supplied)		Protective cover: 1
Remarks		
Pack quantity		1 pcs.

JD2110



Inclination sensor

INC-M2M180C-1-KG/US-H

Electrical connection - CAN-In

1	CAN Screen
2	+ UB
3	CAN_GND
4	CAN_H
5	CAN_L

Connector: 1 x M12

