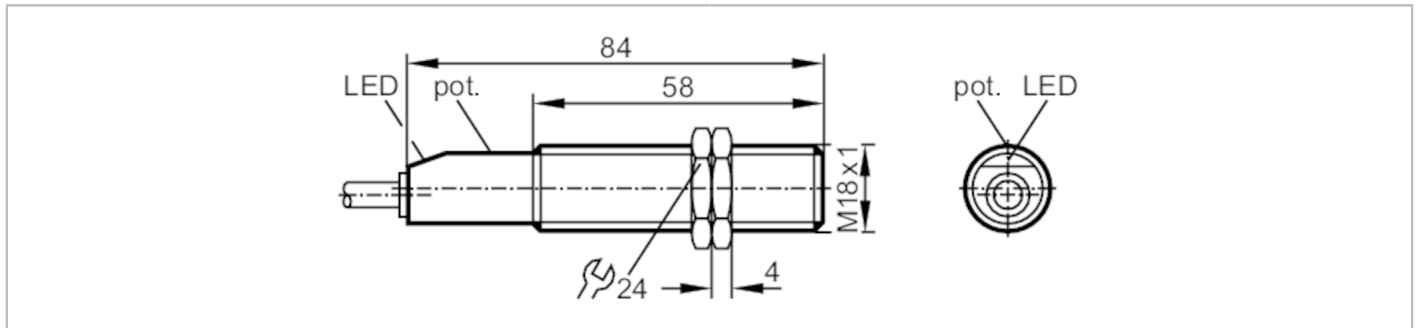


# KG5046



## Capacitive sensor

KG-3008-BNKG/NI



Product characteristics	
Electrical design	NPN
Output function	normally closed
Sensing range [mm]	8
Housing	threaded type
Dimensions [mm]	M18 x 1 / L = 84
Electrical data	
Operating voltage [V]	10...36 DC; ("supply class 2" to cULus)
Current consumption [mA]	< 10 (24 V DC) / < 15 (36 V DC)
Protection class	II
Reverse polarity protection	yes
Outputs	
Electrical design	NPN
Output function	normally closed
Max. voltage drop switching output DC [V]	2.5
Permanent current rating of switching output DC [mA]	250
Switching frequency DC [Hz]	50
Short-circuit proof	yes
Overload protection	yes
Detection zone	
Sensing range [mm]	8
Sensing range adjustable	yes
Factory setting sensing range [mm]	8
Real sensing range Sr [mm]	8 ± 10 %
Operating distance [mm]	0...6.5
Accuracy / deviations	
Correction factor	glass: 0.4 / water: 1 / ceramics: 0.2 / PVC: 0.2
Hysteresis [% of Sr]	1...15
Switch point drift [% of Sr]	-15...15

# KG5046



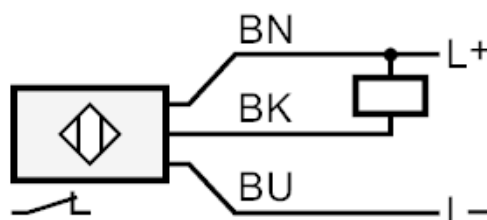
## Capacitive sensor

KG-3008-BNKG/NI

Operating conditions		
Ambient temperature	[°C]	-25...80
Protection		IP 67
Tests / approvals		
EMC		EN 60947-5-2
MTTF	[years]	671
Mechanical data		
Weight	[g]	125
Housing		threaded type
Mounting		non-flush mountable
Dimensions	[mm]	M18 x 1 / L = 84
Thread designation		M18 x 1
Materials		PBT
Displays / operating elements		
Display	switching status	1 x LED, yellow
Accessories		
Accessories (supplied)		lock nuts: 2 screwdriver: 1
Remarks		
Pack quantity		1 pcs.

Electrical connection	
Cable: 2 m, PVC; 3 x 0.34 mm <sup>2</sup>	

### Connection



Core colours :

- BN = brown
- BU = blue
- BK = black