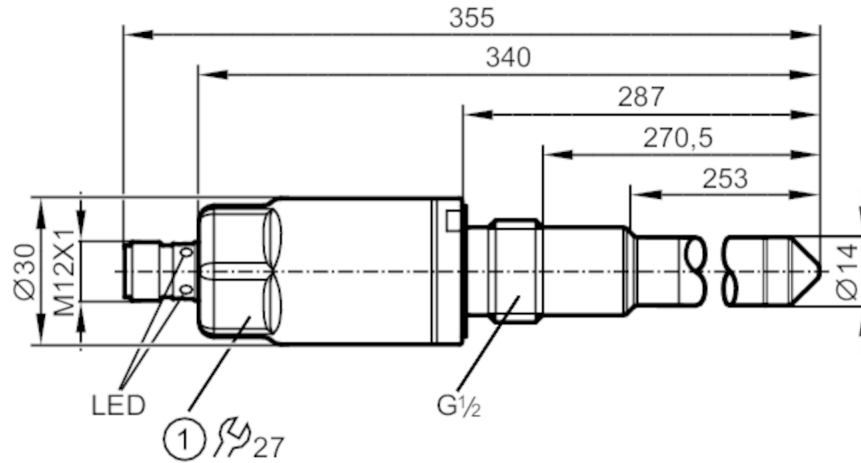


LMT195



Level sensor for limit detection with overspill protection (German Federal Water Act)

LMECE-A12E-QPKG-2/US



1 Tightening torque 20...25 Nm



Product characteristics

Number of inputs and outputs	Number of digital outputs: 2
Factory setting	hydrous media
Process connection	G 1/2 external thread

Application

Special feature	Gold-plated contacts
Media	Liquids
Recommended media	water; hydrous media; oils; oil-based media
Cannot be used for	See the operating instructions, chapter "Function and features".
Probe length [mm]	253
Tank pressure [bar]	-1...40; (applications subject to the German Federal Water Act : -0,5...10 bar)

Oil	
Medium temperature [°C]	-25...100; (applications subject to the German Federal Water Act 0...100 °C)
Medium temperature short time [°C]	-25...150; (1 h; applications subject to the German Federal Water Act : 0...100 °C)
Water	
Medium temperature [°C]	-25...85; (applications subject to the German Federal Water Act : 0...85 °C)
Medium temperature short time [°C]	-25...150; (1 h; applications subject to the German Federal Water Act : 0...100 °C)

Electrical data

Operating voltage [V]	18...30 DC
Current consumption [mA]	< 50
Protection class	III
Reverse polarity protection	yes

Inputs / outputs

Number of inputs and outputs	Number of digital outputs: 2
------------------------------	------------------------------

LMT195



Level sensor for limit detection with overspill protection (German Federal Water Act)

LMECE-A12E-QPKG-2/US

Outputs		
Total number of outputs		2
Output signal		switching signal; IO-Link
Electrical design		PNP
Number of digital outputs		2
Max. voltage drop switching output DC	[V]	2.5
Permanent current rating of switching output DC	[mA]	100
Short-circuit protection		yes
Type of short-circuit protection		pulsed
Overload protection		yes
Measuring/setting range		
Factory setting		hydrous media
Response times		
Response time	[s]	< 0.5
Interfaces		
Communication interface		IO-Link
Transmission type		COM2 (38,4 kBaud)
IO-Link revision		1.1
SDCI standard		IEC 61131-9
IO-Link device ID		0x0001C1
Profiles		Smart Sensor: Process Data Variable; Device Identification
SIO mode		yes
Required master port type		A
Process data analogue		1
Process data binary		2
Min. process cycle time	[ms]	2.3
Operating conditions		
Ambient temperature	[°C]	-20...85
Note on ambient temperature		Medium temperature 100...150 °C -40...60 °C
Storage temperature	[°C]	-40...85
Protection		IP 68; IP 69K
Tests / approvals		
Approval		WHG; General building authority approval; overflow prevention
EMC		DIN EN 61000-6-2
		DIN EN 61000-6-4 open tanks
Shock resistance		DIN EN 60068-2-27 50 g (11 ms)
Vibration resistance		DIN EN 60068-2-6 20 g (10...2000 Hz)
MTTF	[years]	222.73
UL approval		UL Approval no. H001

LMT195



Level sensor for limit detection with overspill protection (German Federal Water Act)

LMECE-A12E-QPKG-2/US

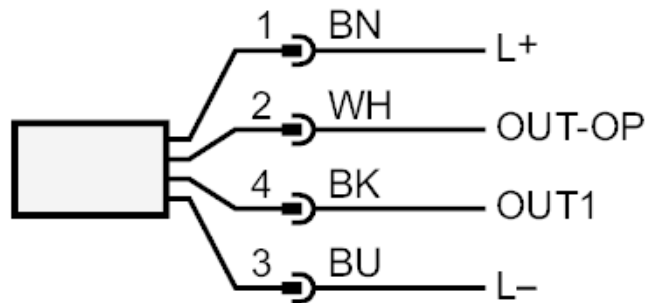
Mechanical data		
Weight	[g]	401
Materials	stainless steel (1.4404 / 316L); stainless steel (1.4571/316Ti); PEEK; PEI; FKM	
Materials (wetted parts)	PEEK; stainless steel (1.4404 / 316L); stainless steel (1.4571/316Ti); FKM	
Process connection	G 1/2 external thread	
Surface characteristics Ra/Rz of the wetted parts	< 0.8	
Displays / operating elements		
Display	switching status	LEDs, yellow
	operating status	LEDs, green
Remarks		
Pack quantity	1 pcs.	

Electrical connection

Connector: 1 x M12; Contacts: gold-plated



Connection



- OUT1: switching output
- OUT-OP: switching output overflow prevention to the German Federal Water Act (WHG)
colours to DIN EN 60947-5-2
Core colours :
 - BK = black
 - BN = brown
 - BU = blue
 - WH = white