

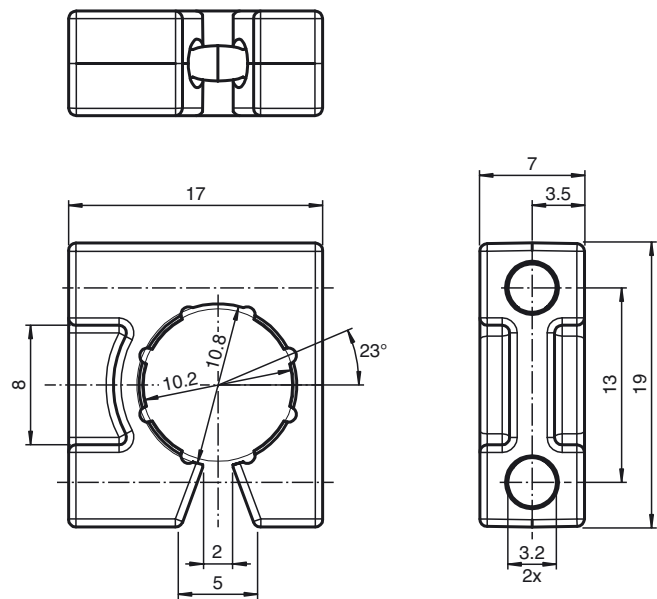
**Model Number**

OMH-R101

Mounting Clamp

Features

- Mounting clamp
- Simple and fast mounting

Dimensions**Technical data****Mechanical specifications**

Material	plastic
Mass	approx. 1 g

Suitable series

Series	R101
--------	------