

50R Series 1/4" Recessed Switch Sets



50R-12

1/4" Recessed Switch Set

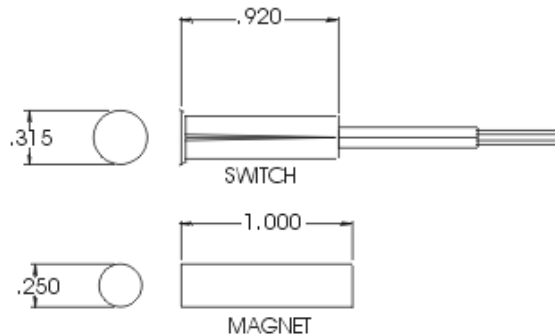
- Lifetime Warranty
- Colors: White, Brown or Gray
- UL and ULC Approved
- Available in Closed Loop, Open Loop or SPDT
- Flange Available
- Standard 12" Leads
- Longer Leads or Zip Cord Available on Request
- Built-in E.O.L Resistors and Diodes Available on Request
- Switches or Magnets are Available Separately
- Supervisory Loops Available
- Standard Gap 1/2"+
- Wide Gap 1"+



50RF-12

1/4" Recessed Switch Set

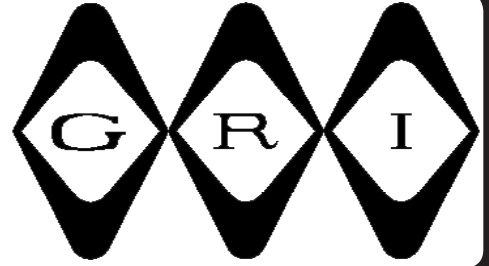
The 50R and 50RF Series are 1/4" diameter switch sets designed for applications where a small diameter recessed switch set is required. This makes the set desirable in residential installations where no sign of an alarm system should be seen or where there is not room to install a larger diameter switch set. The 50R-12 is a straight cylindrical set for flush or counter sunk installations. The 50RF-12 set is flanged to prevent inadvertent pulling of the switch into the wall.



50RF-12

1/4" Recessed Switch Set

MINIATURE 1/4" RECESSED SWITCH SET



50R & 50RF SERIES



- ◆ Ideally Suited For Residential and Light Commercial Applications
Where Aesthetics Are A Requirement
- ◆ Recessed Magnetic Contact ◆ Press To Fit or Flanged Styles
- ◆ 12" #22 AWG Leads
- ◆ Longer Leads, Zip Cord or Jacketed Cable Upon Request
- ◆ Hermetically Sealed ◆ Plated Contacts Resist Sticking or Freezing
- ◆ Built-in E.O.L. Resistors In Some Models Upon Request
- ◆ Supervisory Loops In Some Models
- ◆ Switches and Magnets Available Separately
- ◆ Colors: White, Brown, Gray ◆ Lifetime Warranty



50R-12



50RF-12

PART NUMBERS:

	Closed Loop	Open Loop	SPDT
Standard Gap 1/2" +	50R-12 50RF-12	60R-12 60RF-12	70R-12 70RF-12
Wide Gap 3/4" +	50R-12WG 50RF-12WG	60R-12WG 60RF-12WG	70R-12WG 70RF-12WG

GEORGE RISK INDUSTRIES, INC.
G.R.I. PLAZA
KIMBALL, NE 69145



MADE IN U.S.A.

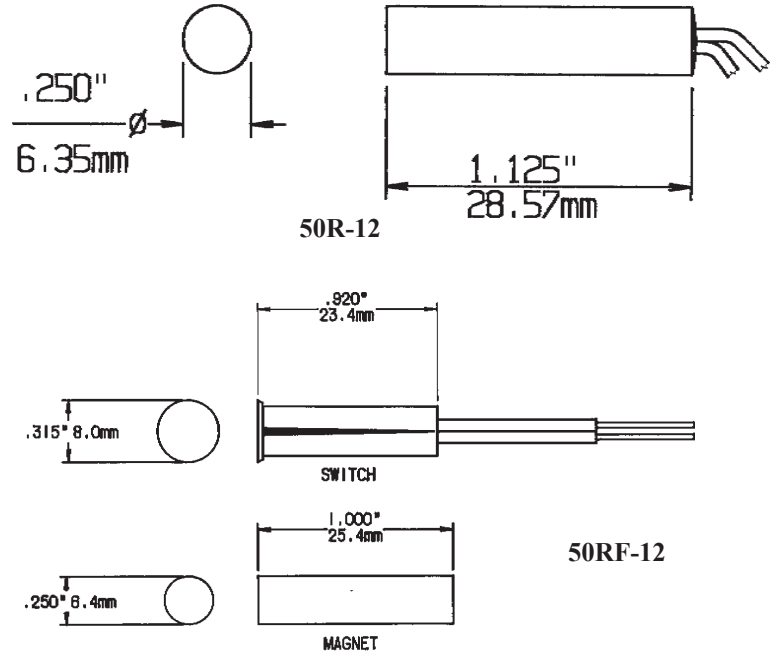
TOLL-FREE 1-800-445-5218
TOLL-FREE 1-800-523-1227
(308) 235-4645
FAX (308) 235-3561
E-MAIL: sales@grisk.com
WEB SITE: www.grisk.com



MINIATURE 1/4" RECESSED SWITCH SET

INSTALLATION APPLICATIONS:

The 50R and 50RF series are 1/4" diameter switch sets designed for applications where a small diameter recessed switch set is required. This makes the set desirable in residential installations where no sign of an alarm system should be seen or where there is not room to install a larger diameter recessed switch set. The 50R-12 is a straight cylindrical set for flush or counter sunk installations. The 50RF-12 set is flanged to prevent inadvertent pulling of the switch into the wall.



GRI products meet or exceed these minimum general specifications:

PART NUMBER	LOOP TYPE	ELECTRICAL CONFIG.	REED FORM	MAXIMUM INITIAL CONTACT RESISTANCE (Ω)	MAXIMUM CONTACT RATING (W)	MAXIMUM SWITCHING VOLTAGE (VDC)	MAXIMUM SWITCHING CURRENT (A)
50R-12	Closed	N/O	A	.150	10	200	.500
50R-12WG	Closed	N/O	A	.150	10	200	.500
50RF-12	Closed	N/O	A	.150	10	200	.500
50RF-12WG	Closed	N/O	A	.150	10	200	.500
60R-12	Open	N/C	B	.140	5	175VDC	.250
60R-12WG	Open	N/C	B	.140	5	175VDC	.250
60RF-12	Open	N/C	B	.140	5	175VDC	.250
60RF-12WG	Open	N/C	B	.140	5	175VDC	.250
70R-12	Open/Closed	SPDT	C	.140	5	175VDC	.250
70R-12WG	Open/Closed	SPDT	C	.140	5	175VDC	.250
70RF-12	Open/Closed	SPDT	C	.140	5	175VDC	.250
70RF-12WG	Open/Closed	SPDT	C	.140	5	175VDC	.250

WARRANTY:

Lifetime warranty against workmanship, material and factory defects.

CONTACT YOUR G.R.I. DISTRIBUTOR OR CALL:

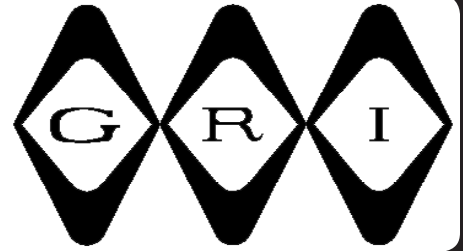
GEORGE RISK INDUSTRIES, INC.
G.R.I. PLAZA
KIMBALL, NE 69145



MADE IN U.S.A.

TOLL-FREE 1-800-445-5218
TOLL-FREE 1-800-523-1227
(308) 235-4645
FAX (308) 235-3561
E-MAIL: sales@grisk.com
WEB SITE: www.grisk.com

N SERIES SWITCH SETS



- ◆ Rare Earth Magnets Paired With Press To Fit Contacts
- ◆ Solves Problem Installs ◆ Time Saving Installations
- ◆ Nickel Plated To Protect From Chipping And Corrosion
- ◆ Use MM-600 With A Standard Gap Switch To Attain Wide Gap



N2120-12



N2020-TWG



N20RS-12

G.R.I.'s "Mighty Mag" contacts will assist in resolving the installer's problem of drilling into the new thinner vinyl windows. These rare earth magnets are less than 1/8" high and install fast and easily without worry about damage to the window itself. (Please see the Mighty Mag page in the accessories section of G.R.I.'s full line catalog for dimensions).

G.R.I.'s Mighty Magnets make use of a rare earth alloy which allows the size of the magnet to be significantly reduced while still retaining or improving the gap involved. These rare earth magnets can be mounted with the stainless steel mounting screws provided (MM-400 and MM-600) and/or double stick tape included in the bag, or may be glued into place.

Note: G.R.I. suggests using a silicone or clear nail polish sealant on the surface of installed rare earth magnets to prevent corrosion.

PART NUMBERS:

N120T-12	N2020-TWG	N2120-12WG	N50RF-12WG
N120T-12WG	N20RS-12	N4473	N50RS-12
N150-12	N20RS-12WG	N4473WG	N50RS-12WG
N150-12WG	N20RS-T	N50R-12	N5065
N2020-12	N20RS-TWG	N50R-12WG	
N2020-12WG	N2120-12	N50RF-12	

Other possible combinations including Open Loop and S.P.D.T. available or as Switch Only and Magnet Only.

GEORGE RISK INDUSTRIES, INC.
G.R.I. PLAZA
KIMBALL, NE 69145



TOLL-FREE 1-800-445-5218
TOLL-FREE 1-800-523-1227
(308) 235-4645
FAX (308) 235-3561
E-MAIL: sales@grisk.com
WEB SITE: www.grisk.com

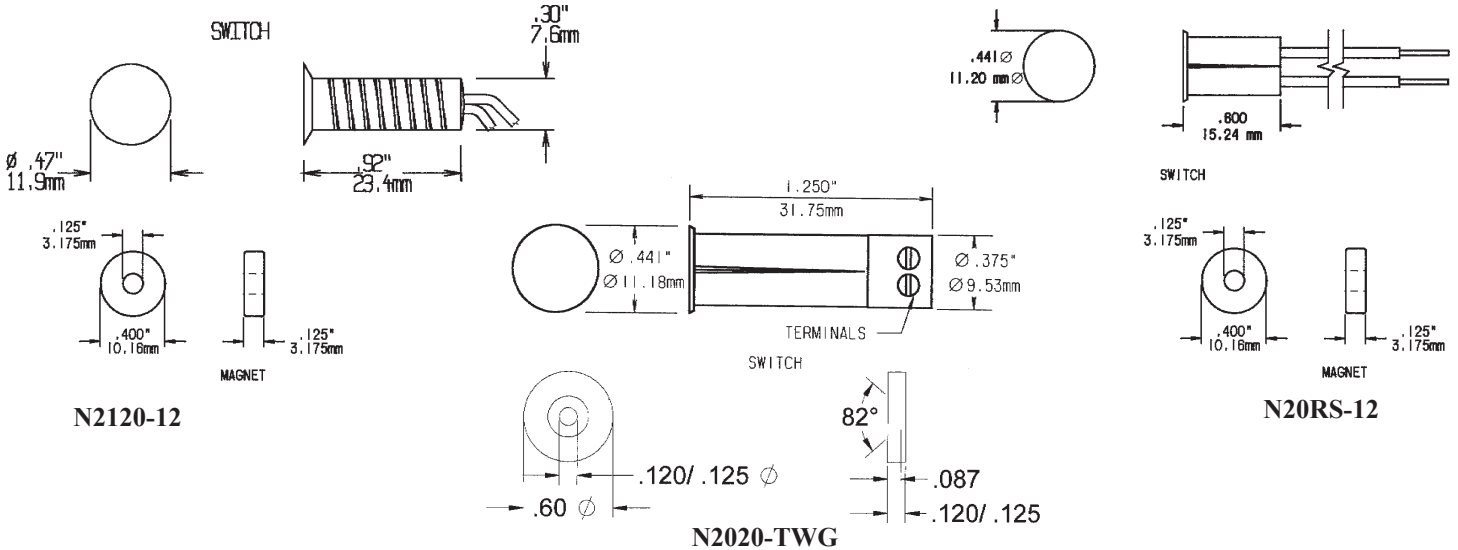


SWITCHES WITH RARE EARTH MAGNETS

Pair Switch with Magnet to get the following gaps:

Switch	Description	MM-25 MMR-25	MM-375	MM-10	MM-400	MM-600	MMF-875
S120T-12	3/4" Press Fit/Leads	3/8"+	1"+	Up to 1"	Up to 3/4"	1"+	3/4"+
S150-12	1/2" Press Fit/Leads	1/2"+	1 1/2"+	Up to 1"	3/4"+	1 1/2"+	1"+
S2020-12	3/8" Press Fit/Leads	Up to 1/2"	1"+	Up to 1"	1"+	1"+	1"
S2020-T	3/8" Press Fit/Terminals	3/8"+	1"+	Up to 1"	Up to 3/4"	1"+	1/2"+
S20RS-12	3/8" Short Press Fit/Leads	Up to 3/8"	1"+	3/4"+	Up to 3/4"	Up to 1"	3/4"
S20RS-T	3/8" Short Press Fit/Terminals	3/8"+	1"+	3/4"+	Up to 3/4"	Up to 1"	3/4"
S2120-12	3/8" Ribbed Press Fit/Leads	5/8"+	1"+	Up to 1"	Up to 3/4"	1"+	3/4"+
S4473	3/4" Press Fit/Terminals	Up to 1/2"	1 1/4"+	Up to 1"	Up to 3/4"	1"+	3/4"+
S50R-12	1/4" Press Fit/Leads	Up to 1/2"	Up to 1 1/2"	1"+	3/4"+	Up to 1 1/4"	3/4"+
S50RF-12	1/4" Press Fit/Flanged/Leads	Up to 1/2"	Up to 1 1/2"	1"+	Up to 3/4"	Up to 1 1/4"	1"
S50RS-12	1/4" Short Press Fit/Leads	Up to 3/8"	1"+	3/4"+	Up to 1/2"	Up to 1 1/4"	3/4"
S5065	3/8" Press Fit/Leads	1/2"+	1"+	1"+	Up to 1"	Up to 1 1/4"	1/2"+

Magnet orientation will affect operation of switch. Please confirm operation prior to installation.



WARRANTY:

Lifetime warranty against workmanship, material and factory defects.

CONTACT YOUR G.R.I. DISTRIBUTOR OR CALL:

GEORGE RISK INDUSTRIES, INC.
G.R.I. PLAZA
KIMBALL, NE 69145



MADE IN U.S.A.

TOLL-FREE 1-800-445-5218
TOLL-FREE 1-800-523-1227
(308) 235-4645
FAX (308) 235-3561
E-MAIL: sales@grisk.com
WEB SITE: www.grisk.com