

**RoHS
Compliant**



Description:

The 2N3637 PNP silicon epitaxial planer transistors in a TO-39 type package designed for use as drivers for high power transistors in general purpose amplifier and switching circuits.

Absolute Maximum Ratings:

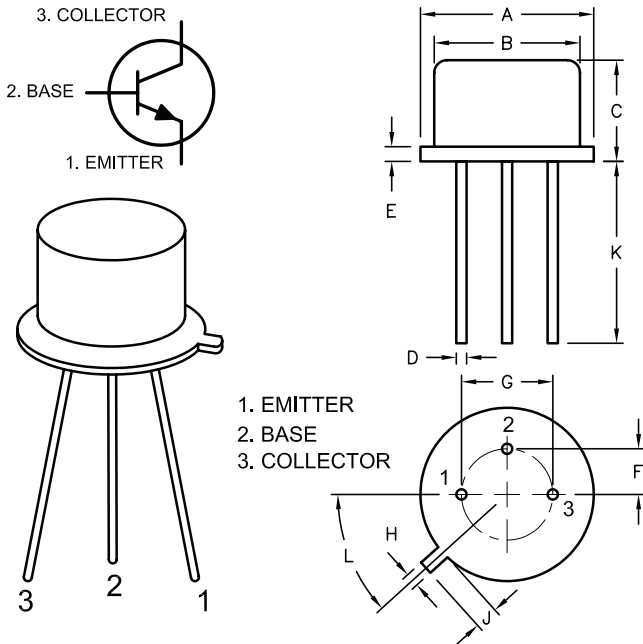
Collector-Emitter Voltage, V_{CE0}	: 175V
Collector-Base Voltage ($I_E = 0$), V_{CBO}	: 175V
Emitter-Base Voltage ($I_C = 0$), V_{EBO}	: 5V
Collector Current, I_C	: 1A
Total Device Dissipation ($T_C = +25^\circ\text{C}$), P_{tot}	: 5W
Total Device Dissipation ($T_A = +25^\circ\text{C}$), P_{tot}	: 1W
Operating Junction Temperature, T_J	: $+200^\circ\text{C}$
Storage Temperature Range, T_{stg}	: -65°C to 200°C
Thermal Resistance, Junction -to-Case, R_{thJC}	: 35°C/W
Thermal Resistance, Junction-to-Ambient, R_{thJA}	: 175°C/W

Electrical Characteristics: ($T_C = +25^\circ\text{C}$ Unless otherwise specified)

Parameter	Symbol	Test Conditions	Min	Max	Unit
Collector-Cut-Off Current	I_{CBO}	$V_{CE} = 100V, I_E = 0$	-	0.1	μA
Emitter Cut-Off Current	I_{EBO}	$V_{EB} = 3V, I_C = 0$	-	0.05	μA
Collector-Emitter Sustaining Voltage	$V_{CE0(sus)}$	$I_C = 10\text{mA}, I_B = 0, \text{Note 1}$	175	-	V
Collector-Emitter Saturation Voltage	$V_{CE(sat)}$	$I_C = 10\text{mA}, I_B = 1\text{mA}, \text{Note 1}$	-	0.3	V
		$I_C = 50\text{mA}, I_B = 5\text{mA}, \text{Note 1}$	-	0.5	V
Base-Emitter Voltage	$V_{BE(sat)}$	$V_{CE} = 5V, I_C = 50\text{mA}$	0.65	0.9	V
DC Current Gain	h_{FE}	$I_C = 150\text{mA}, V_{CE} = 10V, \text{Note 1}$	50	-	
		$I_C = 50\text{mA}, V_{CE} = 10V, \text{Note 1}$	100	300	
Transistor Frequency	f_T	$V_{CE} = 30V, I_C = 30\text{mA}, f = 100\text{MHz}$	200	-	MHz
Collector Base Capacitance	C_{cbo}	$V_{CB} = 20V, I_E = 0, f = 1\text{MHz}$	-	10	pF
Small-Signal Current Gain	h_{fe}	$V_{CE} = 10V, I_C = 10\text{mA}, f = 1\text{kHz}$	80	320	

Note 1. Pulse Duration = $300\mu\text{s}$, Duty Cycle $\leq 2\%$

PNP



Dimensions	A	B	C	D	E	F	G	H	J	K	L
Min.	8.5	7.74	6.09	0.4	-	2.41	4.82	0.71	0.73	12.7	45°
Max.	9.39	8.5	6.6	0.53	0.88	2.66	5.33	0.86	1.02	-	48°

Dimensions : Millimetres

Part Number Table

Description	Part Number
Transistor, Bipolar, Metal, TO-39, PNP	2N3637

Important Notice : This data sheet and its contents (the "Information") belong to the members of the AVNET group of companies (the "Group") or are licensed to it. No licence is granted for the use of it other than for information purposes in connection with the products to which it relates. No licence of any intellectual property rights is granted. The Information is subject to change without notice and replaces all data sheets previously supplied. The Information supplied is believed to be accurate but the Group assumes no responsibility for its accuracy or completeness, any error in or omission from it or for any use made of it. Users of this data sheet should check for themselves the Information and the suitability of the products for their purpose and not make any assumptions based on information included or omitted. Liability for loss or damage resulting from any reliance on the Information or use of it (including liability resulting from negligence or where the Group was aware of the possibility of such loss or damage arising) is excluded. This will not operate to limit or restrict the Group's liability for death or personal injury resulting from its negligence. Multicomp Pro is the registered trademark of Premier Farnell Limited 2019.