

## Studs • DIN 6379 b1 long for nut for T-Slots 23040.0623



### Product Description

Studs combined with T-nuts DIN 508 (EH 23010./23020.), fixture nuts DIN 6330 (EH 23070.) and plain washers DIN 6340 (EH 23060.) become complete clamping studs. These studs are characterised by the rolled thread.

### Material

- Heat-treated steel

### More information

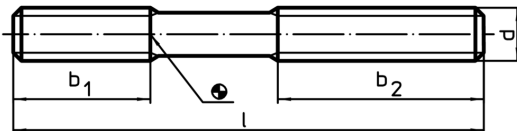
#### References

For torques and strengths please refer to appendix - Technical Data -

#### Further products

- Nuts for T-Slots, DIN 508
- Studs, DIN 6379 for T-nuts
- Studs, with internal hexagon, similar to DIN 6379, for nuts for T-Slots
- Shaft / Plain Washers, DIN 6340 heat-treated
- Fixture Nuts, DIN 6330 (height 1,5 d)

### Drawing



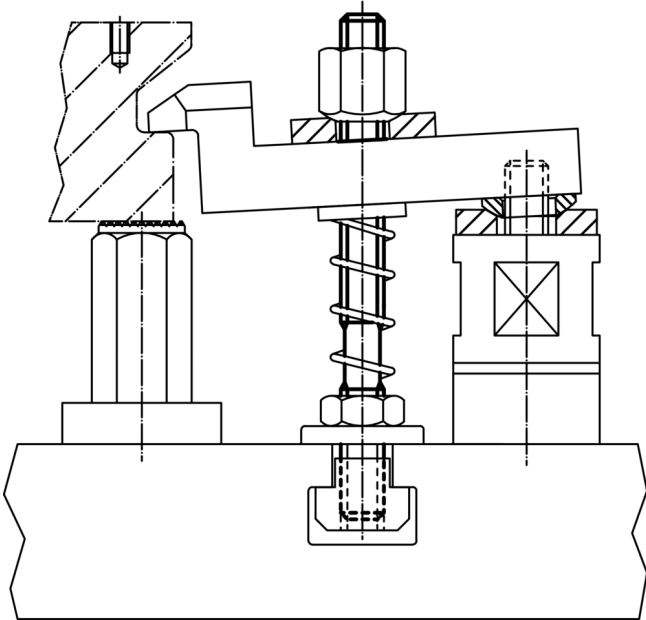
### Order information

| d            | Dimensions | l <sup>1)</sup> | [g] | Art. No.   |
|--------------|------------|-----------------|-----|------------|
|              | [mm]       |                 |     |            |
| quality 10.9 |            |                 |     |            |
| M12          |            | 80              | 56  | 23040.0623 |

<sup>1)</sup> Throughgoing thread

### Application example





## Compliance

### RoHS compliant

Compliant according to Directive 2011/65/EU and Directive 2015/863

### Does not contain SVHC substances

No SVHC substances with more than 0.1% w/w contained - SVHC list [REACH] as of 10.06.2022

### Does not contain Proposition 65 substances

No Proposition 65 substances included  
<https://www.P65Warnings.ca.gov/>

### Free from Conflict Minerals

This product does not contain any substances designated as "conflict minerals" such as tantalum, tin, gold or tungsten from the Democratic Republic of Congo or adjacent countries.