

# Data Sheet

## PT115xxVBEC

Page 1/5

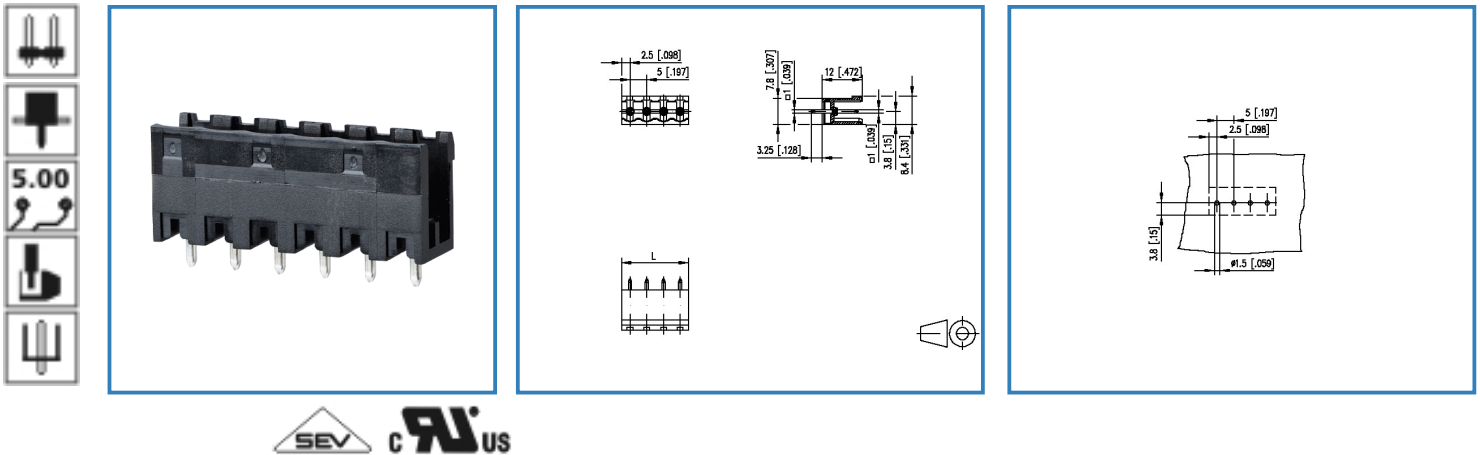
P/N

313191xx

xx=number of poles

2017/01/24

### Illustration



see enlarged drawing at the end of the document

### Product specification

- pin header, solderable
- centerline 5.00 mm, direction of connection vertical 0°
- open ends, fittable without loss of poles
- color black
- codeable

# Data Sheet

## PT115xxVBEC

### Technical Data

#### General Data

|                           |         |        |       |
|---------------------------|---------|--------|-------|
| Solder pin length         | 3.25 mm |        |       |
| min. number of poles      | 2       |        |       |
| max. number of poles      | 24      |        |       |
| Insulating material class | CTI 600 |        |       |
| clearance/creepage dist.  | 4 mm    |        |       |
| protection category       | IP 00   |        |       |
| Overvoltage category      | III     | III    | II    |
| Pollution degree          | 3       | 2      | 2     |
| Rated voltage             | 320 V   | 800 V  | 800 V |
| Rated test voltage        | 4 kV    | 4.0 kV | 4 kV  |

#### Approvals



300 / 15



13.5 A / 320 V / 4 kV / 3 / IEC 61984

#### Material

|                             |         |
|-----------------------------|---------|
| insulating material         | PA66    |
| flammability class          | V0      |
| Glow-Wire Flammability GWFI | 960     |
| Glow-Wire Flammability GWIT | 775     |
| contact pin material        | CuFe    |
| contact pin surface         | Ni + Ag |

#### Climatic properties

|                         |        |
|-------------------------|--------|
| upper limit temperature | 105 °C |
| lower limit temperature | -40 °C |

#### General

|               |                                     |
|---------------|-------------------------------------|
| solderability | Acc. to JEDEC JESD22-B102E 245°C/5s |
| Tolerance     | ISO 2768 -mH                        |



# Data Sheet

## PT115xxVBEC

Page 3/5

P/N

313191xx

xx=number of poles

2017/01/24

### Matching Part to

| P/N         | Product name        |
|-------------|---------------------|
| 313131      | RP035xxHBLC Typ 313 |
| 313141      | RP035xxHBLD Typ 314 |
| 313491      | RP015xxVBLC Typ 349 |
| 313501      | RP015xxSBLC Typ 350 |
| ASP045      | SP045xxVBNC ASP045  |
| SP995XXVBNC | SP995xxVBNC         |

### Accessories

| P/N                      | Product name        |
|--------------------------|---------------------|
| 700024-01-9              | 700024              |
| 700523-0157 (on request) | Geh_Kappe_swg_Block |
| 700523-0257 (on request) | Geh_Kappe_swg_Block |



# Data Sheet

## PT115xxVBEC

Page 4/5

P/N

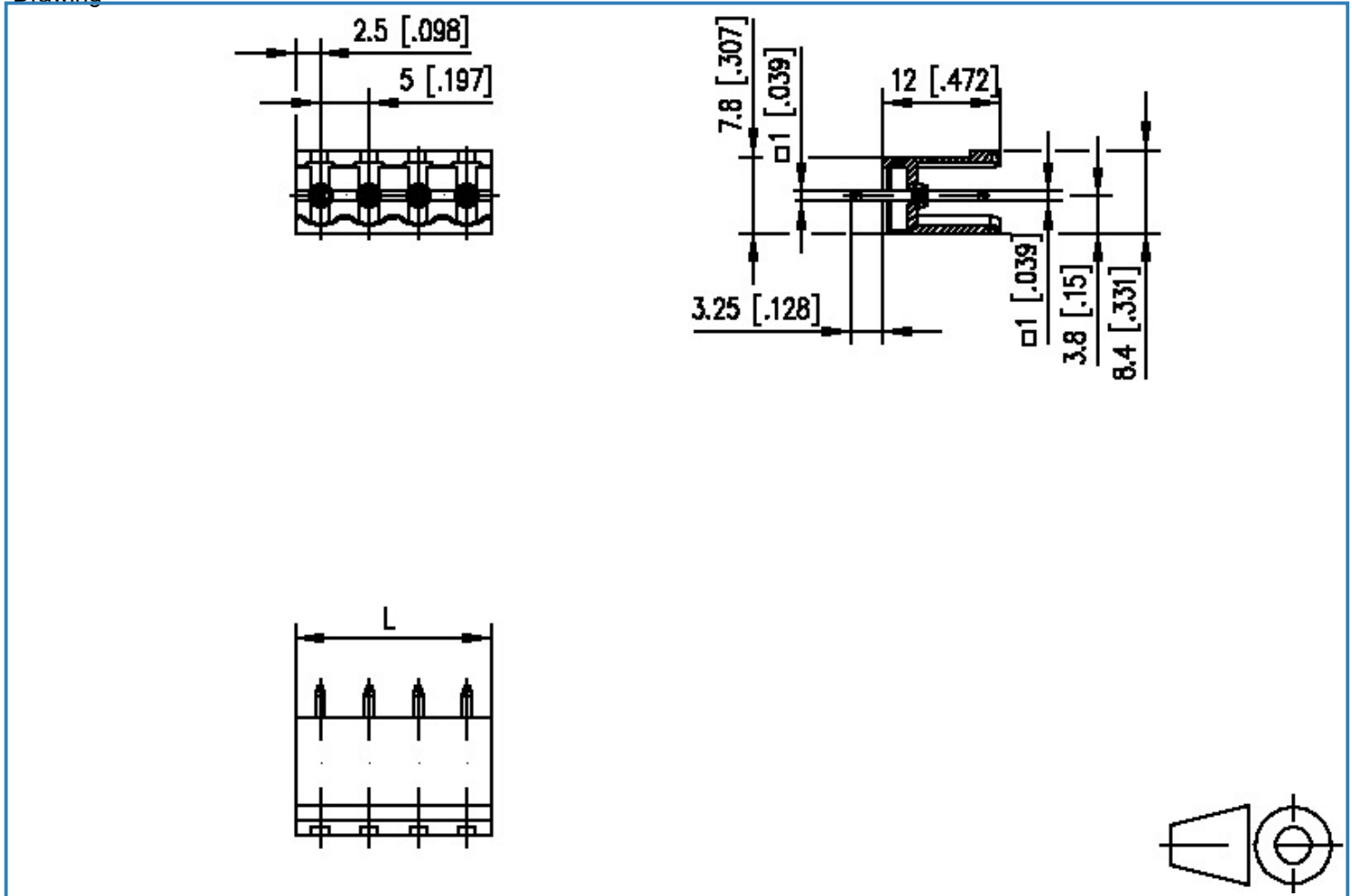
313191xx

xx=number of poles

2017/01/24

### Illustration

Drawing



$L = (\text{pole size} - 1) \times \text{centerline} + 5 [0.197]$



# Data Sheet

## PT115xxVBEC

Page 5/5

P/N

313191xx

xx=number of poles

2017/01/24

PCB Layout

