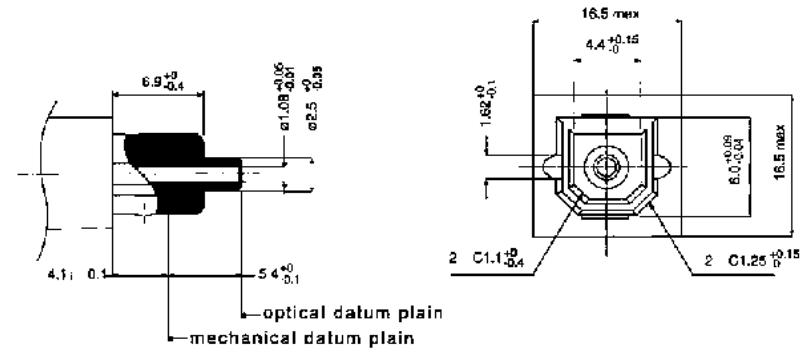
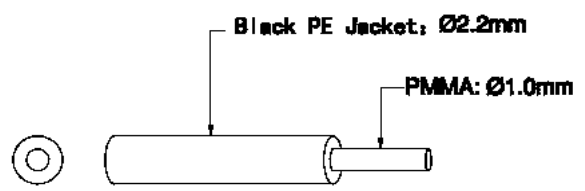
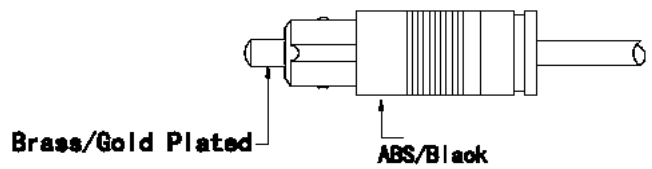
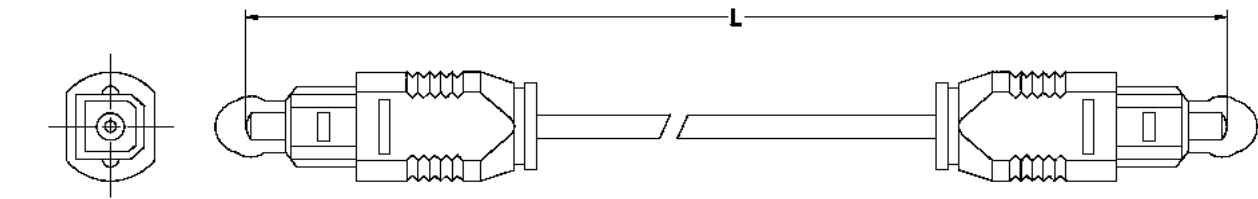
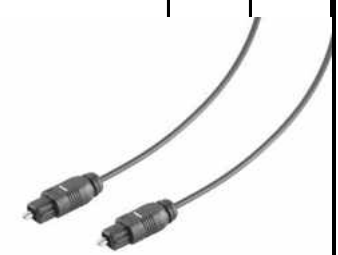


REVISED	DR	APP



1	IMPRINT	NO IMPRINT
2	CONNECTORS	MOLDED WITH PROTECTORS
3	CABLE	1 x 1,0mm POF (PLASTIC OPTICAL FIBER) OD = 2,2mm BLACK
NO	PART NAME	



DESCRIPTION		DIGITAL OPTICAL FIBER CABLE 2,2mm TOSLINK PL. - TOSLINK PL.					
SIZE	A4	DATE	13.01.2016	CHECKED		TOL	BS69002
UNIT	MM	DRAWN	R.Hueller	APPROVED			
CUSTOM TARIF NO.: 90011090							