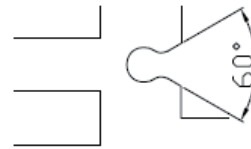
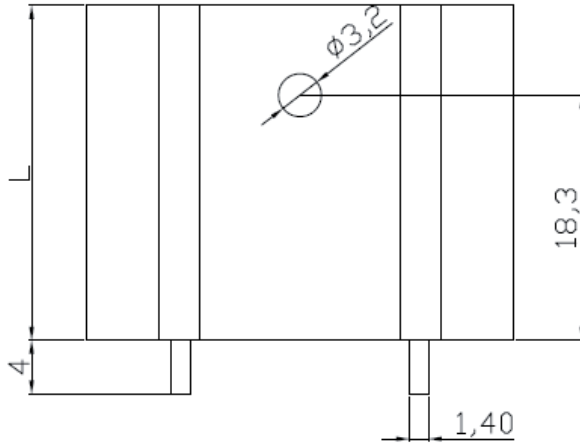


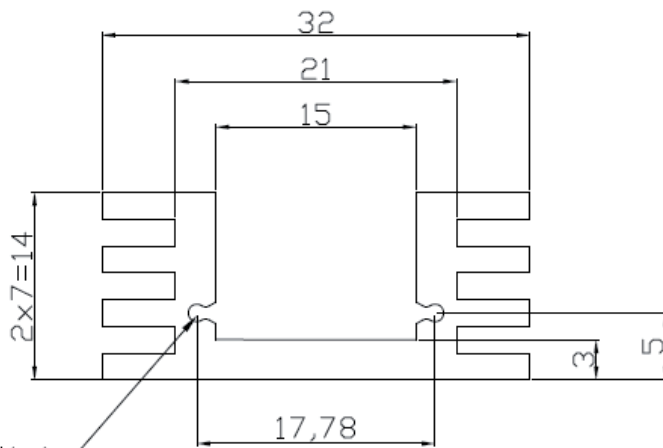
# Datasheet

Item no. 1586580

V1\_0617\_02\_EN



**REMARK A**  
2 : 1



REMARK A

**Notes**  
Material : AL6063-T5  
Finished : Black Anodized  
UNSPECIFIED R=0.3MM

**RoHS compliant**  
Unit: mm

L	Thermal resistance(K/W)
25	12.5