



GDM 3011 LED 24 BO schwarz/black

Industrial Connectors:Rectangular connectors GDM-series:Type AEN 175301-803 (DIN 43650) / ISO 4400:Cable socket with electronic insert

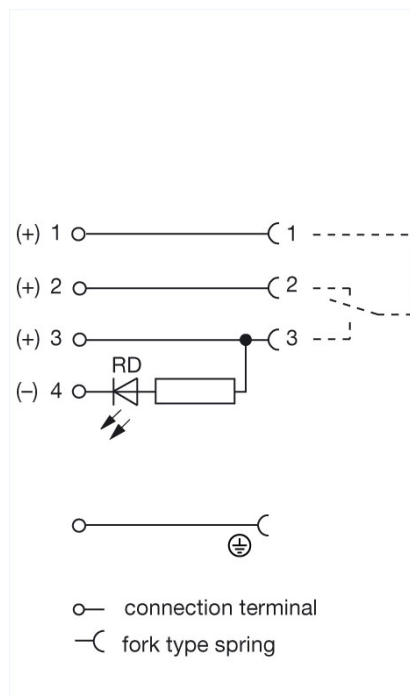
Product description

Description	function indicator (LED) for pressure switch
Type	GDM 3011 LED 24 BO schwarz/black
Order No.	932 856-002
Number of contacts	3 + PE
Cable gland	PG 11 (black)
Conductor size	max. 1 mm ²
Standard	DIN EN 175 301-803-A
Housing Color	transparent
Construction type	A

Description of Wiring

LED color	LED red
Other characteristics	for pressure switch

Drawing



Technical data

Pin dimensions	6.3 mm x 0.8 mm, 4.8 mm x 0.8 mm
Rated voltage	DC 24 V
Rated current	8 A
Contact resistance	≤ 4 mOhm
Type of termination	screw

Suitable cables	4.5 mm to 11 mm diameter
Mounting	central nut
Material	
Contact surface material	Sn
Contact bearer material	PA
Housing material	PA
Environmental conditions	
Protection class (IEC 60529)	IP 65 (gasket necessary)
Pollution severity	3
Temperature range	-40 °C to +90 °C
Inflammability class	
Housing	94 HB
Contact bearer	94 HB
Packing unit	
Packaging unit	50 pieces
Scope of delivery and accessories	
Accessories to order separately	(NBR) flat gasket GDM 3-7, Order no. 730 801-002; (EPDM) flat gasket GDM 3-21, Order no. 731 739-004; profiled gasket GDM 3-16, Order no. 731 531-002; knurled screw GDM 3011-8, Order no. 732 574-001; stainless steel screw GDM 3011 RF-1, Order no. 734 363-001