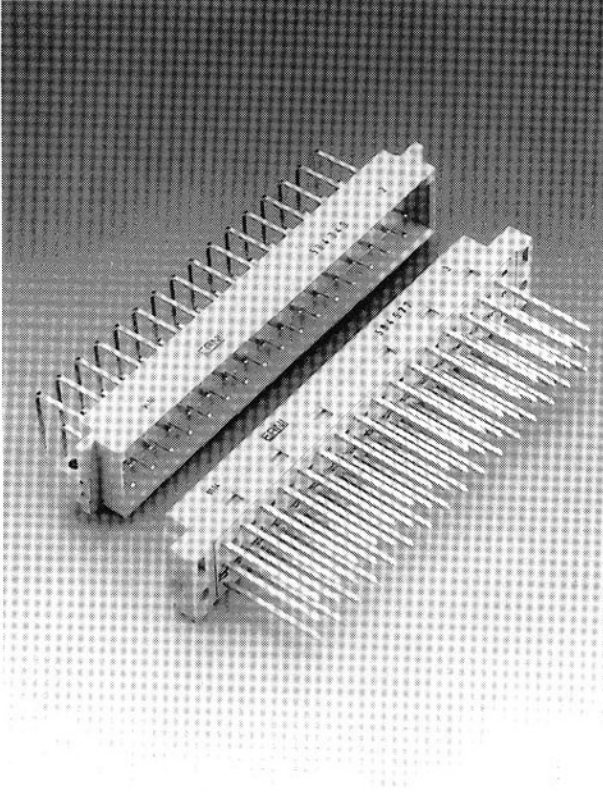


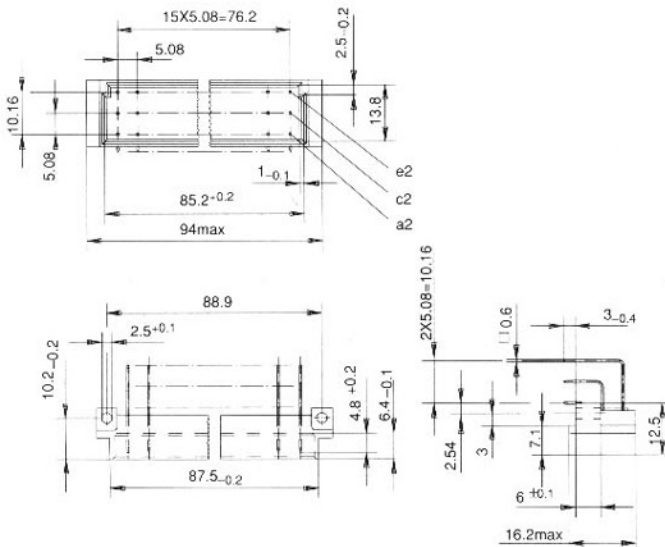
Size E

as per DIN 41 612

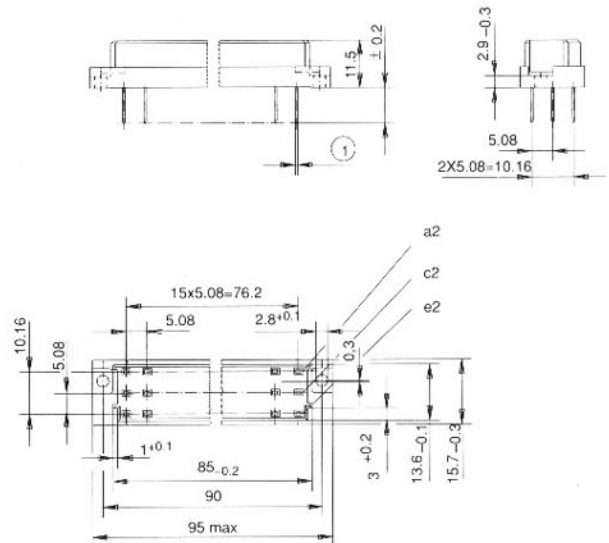


Dimensional drawings

Male connector



Female connector

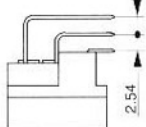


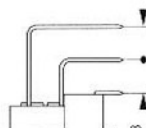
① connectors for dip soldering are available with terminations of 1x1 mm or 0.6x0.6. Wire-wrap-terminations 1x1 mm.

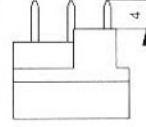
Ordering details

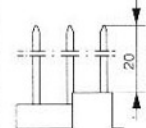
Male connector size E

as per DIN 41 612, maximum three rows loaded, maximum 48 contacts

 <p>STV-E 48-M-ace 2,4,6...32 Grid dimension between the rows 2.54mm</p>		107	207
PBT		594 799	594 800

 <p>STV-E 48-M-ace 2,4,6...32 Grid dimension between the rows 5.08mm</p>		107	207
PBT		594 802	594 343

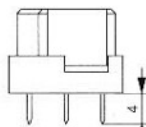
 <p>STV-E 48-M-ace 2,4,6...32 Termination cross section 1x1mm</p>		107	207
PBT		004 509	333 450

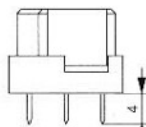
 <p>STV-E 48-M-ace 2,4,6...32 Termination cross section 1x1mm</p>		107	207
PBT			563 098

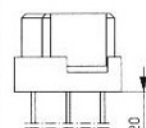
Male connectors with early make/last break contacts can be loaded in any position.
Further versions on request.

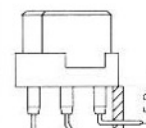
Female connector size E

as per DIN 41 612, maximum three rows loaded, maximum 48 contacts

 <p>STV-E 48-F-ace 2,4,6...32 Termination cross section 1x1mm</p>		107	207
PBT		594 578	594 579

 <p>STV-E 48-F-ace 2,4,6...32 Termination cross section 0.6x0.6mm</p>		107	207
PBT			on request

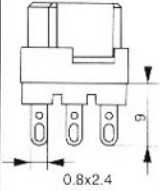
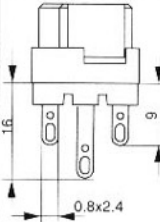
 <p>STV-E 48-F-ace 2,4,6...32 Termination cross section 1x1mm</p>		107	207
PBT		594 575	594 576

 <p>STV-E 48-F-ace 2,4,6...32</p>		107	207
PBT		343 066	

Ordering details

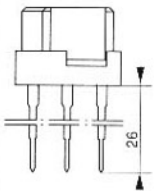
Female connector size E

as per DIN 41 612, maximum three rows loaded, maximum 48 contacts

	STV-E 48-F-ace 2,4,6...32 <i>Termination cross section 0.8x2.4mm with manual soldering termination</i>	
	107	207
PBT	594 880	594 881
	STV-E 48-F-ace 2,4,6...32 <i>Termination cross section 0.8x2.4mm with manual soldering termination. Middle row longer for better handling.</i>	
	107	207
PC	343 079	

Female connector size E

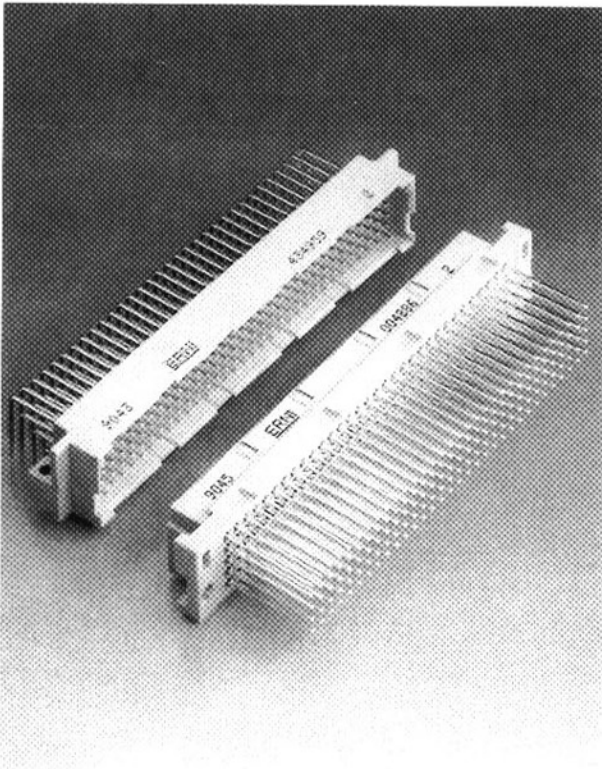
as per DIN 41 612 with gold plated transfer zone ①

	STV-E 48-F-ace UE ① 2,4,6...32 <i>Termination cross section 1x1mm Transfer zone 1x0.6mm</i>	
	107	207
PBT		003 382

① Entire length of contacts nickel-plated, transfer zone (5mm) solid-gold plated.

Further versions on request.

Addition to the range



Type E connectors are fitted with contacts in the rows a,c,e in order to achieve large clearances and creepage distances. Rows b and d are not fitted with contacts in the conventional version.

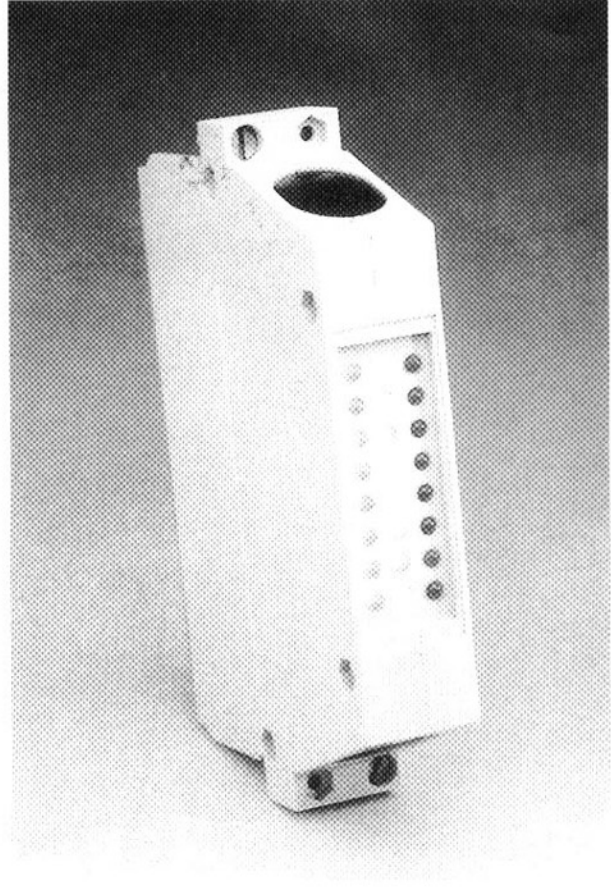
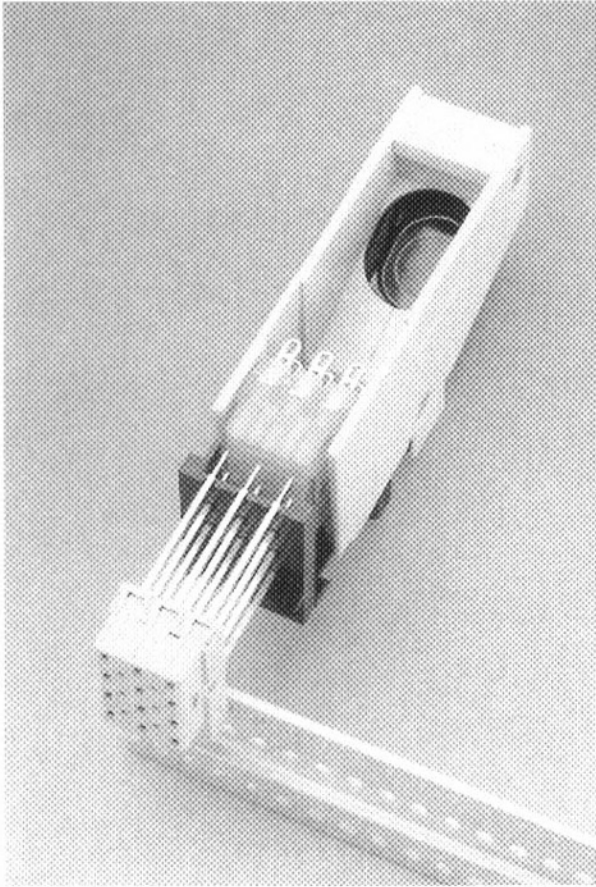
However, there are many applications in which this large clearance and creepage distance is not necessary but instead the user requires higher packaging density. For such applications ERNI developed the type E 160 some years ago. The dimensions of the moulding are those of size E but contacts are fitted in all 5 rows at 2.54mm pitch.

This development led to a high-density connector with mating and installation conditions in accordance with DIN 41 612.

Thus the user has all the advantages of the DIN 41 612 connector which is used worldwide.

If a enlarged application is required, then the combination of two E 160 connectors plus one of ERNI's Eurocard Center connectors can provide 320 signal connections with 5 dedicated mixed contacts (power, coax, and/or fiber optics) or a total of 362 signal connections on a double Euro card.

Example on a application



The ERNI interface system offers a complete range of accessories for type E connectors as well. Size E male and female connectors fit in the series KSG-173 connector housings. Various guide elements are supplied for installation on the front panel, the guide elements and frames permit connection from the wiring side of 19" rack. With ERNI connector housings insertion and withdrawal is achieved by use of an integral mounting screw.

All individual metal parts around the connector housing are securely fitted to prevent short circuits during removal.

For applications where protection against incorrect mating is necessary, a coding system is available. For information on use and ordering details, please refer to the data sheet "Mateable Wiring Transfer System" or consult our Sales Department.

<u>Part-No.</u>	<u>Page</u>
-----------------	-------------

004509	2
003382	3
333450	2
343066	2
343079	3
563098	2
594343	2
594575	2
594576	2
594578	2
594579	2
594799	2
594800	2
594802	2
594880	3
594881	3