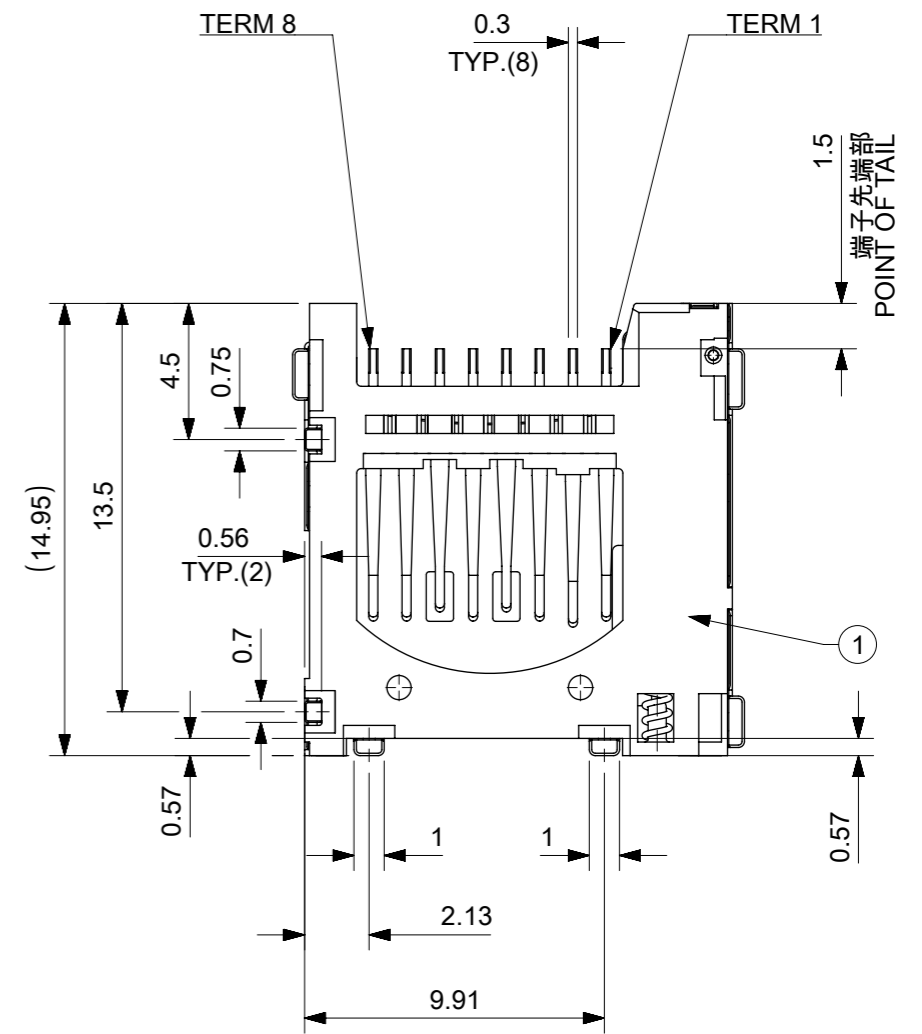
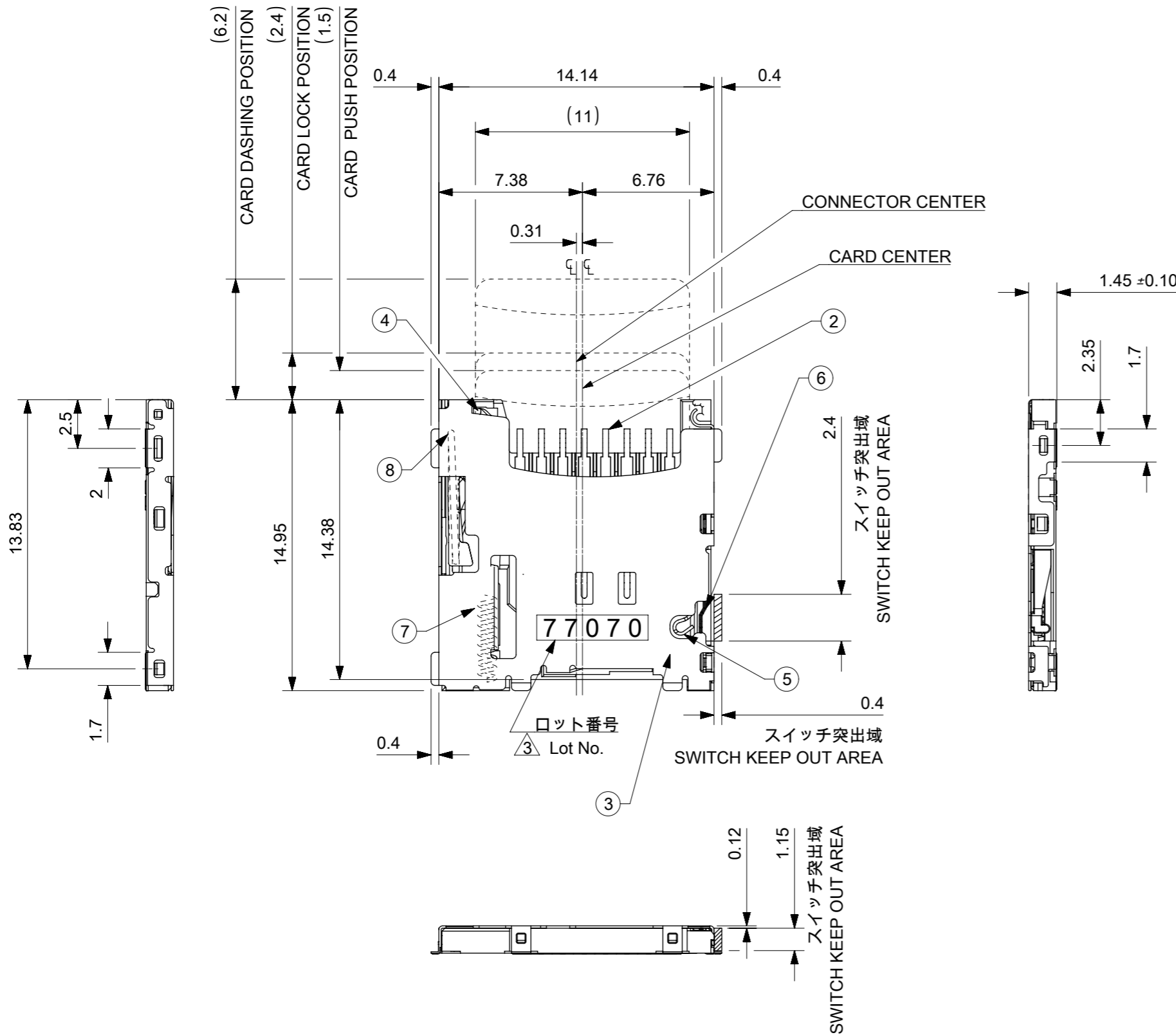
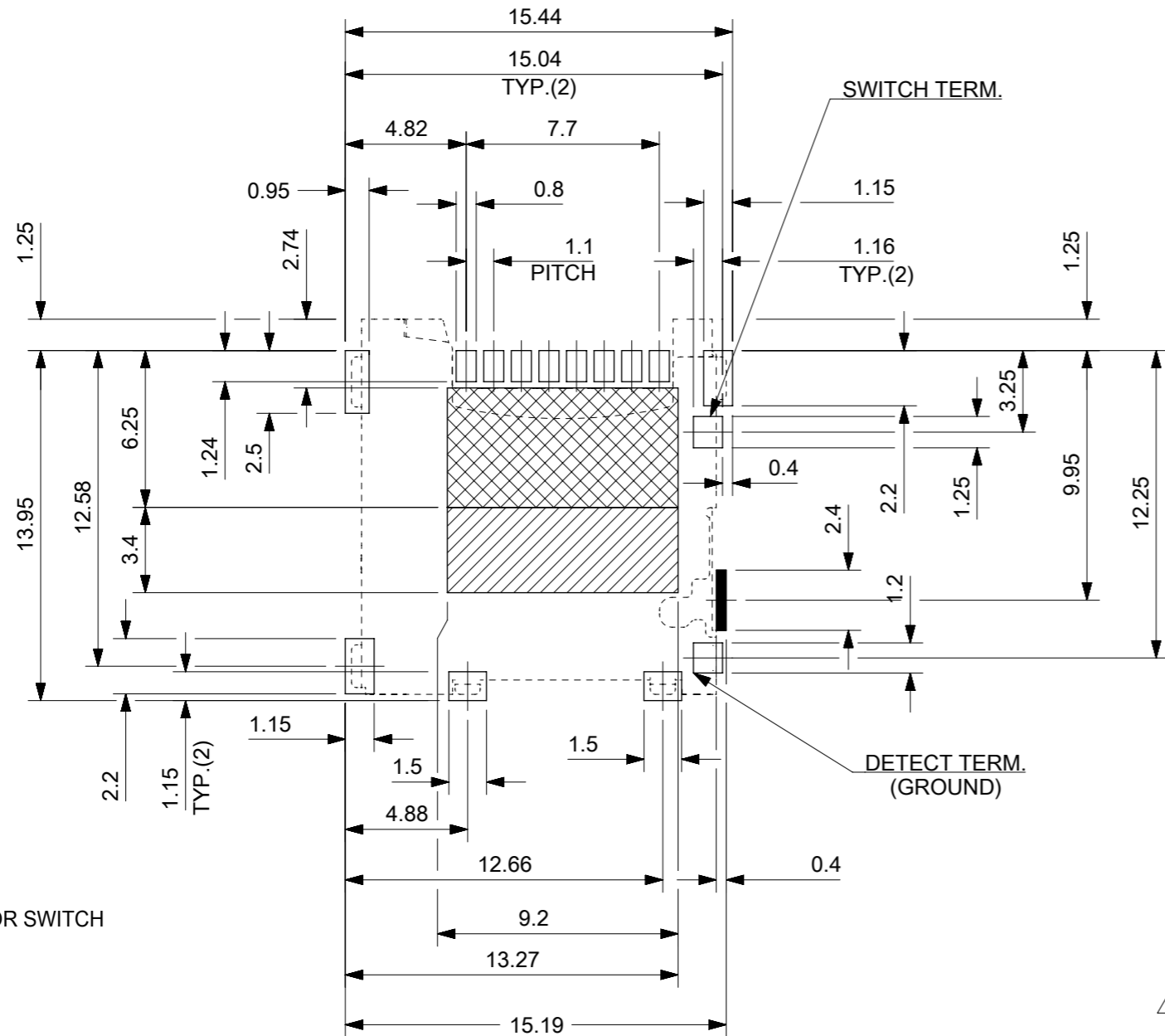


TERM 1: DATA 2
 TERM 2: CD/DAT 3
 TERM 3: CMD
 TERM 4: vdd
 TERM 5: CLK
 TERM 6: Vss
 TERM 7: DAT0
 TERM 8: DAT1



SYMBOLS	THIS DRAWING CONTAINS INFORMATION THAT IS PROPRIETARY TO MOLEX ELECTRONIC TECHNOLOGIES, LLC AND SHOULD NOT BE USED WITHOUT WRITTEN PERMISSION		CURRENT REV DESC: REMASTERED IN ECTR			molex		
	▽ = 0	mm						
▽ = 0	GENERAL TOLERANCES (UNLESS SPECIFIED)		EC NO: 623577			MICRO SD CONN. NORMAL ULTRA LOW-PROFILE ASSY		
▽ = 0	ANGULAR TOL ± °		DRWN: KSUTAR 2019/08/30			PRODUCT CUSTOMER DRAWING		
▽ = 0	4 PLACES ±		CHK'D: GB 2019/09/05			DOCUMENT NUMBER		
▽ = 0	3 PLACES ±		APPR: GGA 2019/09/05			SD-503182-011		
▽ = 0	2 PLACES ±		INITIAL REVISION:			DOC TYPE DOC PART REVISION		
▽ = 0	1 PLACE ±		DRWN: YGOTO 2013/03/08			PSD 001 C		
▽ = 0	0 PLACES ±		APPR: YOITO 2013/03/12			SHEET NUMBER		
■ = 0	DRAFT WHERE APPLICABLE MUST REMAIN WITHIN DIMENSIONS		THIRD ANGLE PROJECTION		DRAWING	SERIES	MATERIAL NUMBER	CUSTOMER
▽ = 0			A3-SIZE		A3-SIZE	503182	SEE CHART	GENERAL MARKET

503182-1852	8
EMBOSSSED TAPE	極数
ORDER No. オーダー番号	CIRCUITS
CONNECTOR SERIES No. 503182-**42	



RECOMMENDED
PCB PATTERN LAYOUT
(GENERAL TOLERANCE : ±0.05)

番号	番号 NAME	名称 MATERIAL
①	ハウジング HOUSING	液晶ポリマー(LCP) LIQUID CRYSTAL POLYMER (LCP)
②	ターミナル TERMINAL	銅合金、接点部：金めっき 半田付部：錫めっき 下地：ニッケルめっき COPPER ALLOY, CONTACT AREA:GOLD TAIL AREA:TIN UNDER PLATING:NICKEL
③	メタルシェル METAL SHELL	ステンレス鋼、半田付け部：金めっき 下地：ニッケルめっき STAINLESS STEEL, TAIL AREA:GOLD UNDER PLATING:NICKEL
④	カムスライダー CAM SLIDER	液晶ポリマー(LCP) LIQUID CRYSTAL POLYMER (LCP)
⑤	ディテクトネイル DETECT NAIL	銅合金、接点部：金めっき 半田付部：金めっき 下地：ニッケルめっき COPPER ALLOY, CONTACT AREA:GOLD TAIL AREA:GOLD UNDER PLATING:NICKEL
⑥	スイッチネイル SWITCH NAIL	銅合金、接点部：金めっき 半田付部：金めっき 下地：ニッケルめっき COPPER ALLOY, CONTACT AREA:GOLD TAIL AREA:GOLD UNDER PLATING:NICKEL
⑦	スプリング SPRING	ピアノ線 SWP
⑧	カムピン CAM PIN	ステンレス鋼 STAINLESS STEEL

NOTES:

- ターミナル及びネイルの平坦度は0.1MAX.とする。
COPLANARITY OF TERMINAL AND NAIL IS TO BE 0.1MAX.
- ② スタンドオフ寸法
DIMENSIONS OF STAND OFF.
- ③ ロット印字は任意とする
LOT NUMBERING IS TO BE OPTIONAL.
- 肉抜き位置は任意とする。
CAVITY IS TO BE OPTIONAL.
- カード検知スイッチ
DETECT SWITCH
- ELV及びRoHS適合品
ELV AND RoHS COMPLIANT.

カード挿入時 CARD INSERTING POSITION	クローズ CLOSED
カード未挿入時 NO CARD POSITION	オープン OPEN

ロットNo. : 7 7 0 7 0
 西暦 (1桁目)
 THE YEAR OF GRACE
 7 : 2007年
 月
 MONTH
 7 : 7月
 A : 10月
 B : 11月
 C : 12月
 ラインNo.
 LINE No.
 日
 DAY
 07 : 07日

GENERAL TOLERANCE (UNLESS SPECIFIED)	
10 UNDER	±0.2
10 OVER 30 UNDER	±0.25
30 OVER	±0.3
ANGULAR ±1°	
DRAFT WHERE APLLICABLE MUST REMAIN WITHIN DIMENSIONS	

THIS DRAWING CONTAINS INFORMATION THAT IS PROPRIETARY TO MOLEX ELECTRONIC TECHNOLOGIES, LLC AND SHOULD NOT BE USED WITHOUT WRITTEN PERMISSION

SYMBOLS
 ▽ = 0
 ▽ = 0
 ▽ = 0
 ▽ = 0
 ▽ = 0
 ▽ = 0
 ▽ = 0
 ▽ = 0
 ▽ = 0
 ▽ = 0
 ▽ = 0

THIS DRAWING DIMENSION UNITS SCALE
 mm 4:1

GENERAL TOLERANCES (UNLESS SPECIFIED)
 ANGULAR TOL ± °
 4 PLACES ±
 3 PLACES ±
 2 PLACES ±
 1 PLACE ±
 0 PLACES ±

DRAFT WHERE APLLICABLE MUST REMAIN WITHIN DIMENSIONS

THIRD ANGLE PROJECTION

DRAWING SERIES
 A3-SIZE 503182

CURRENT REV DESC: REMASTERED IN ECTR

EC NO: 623577
 DRWN: KSUTAR 2019/08/30
 CHK'D: GB 2019/09/05
 APPR: GGA 2019/09/05

INITIAL REVISION:
 DRWN: YGOTO 2013/03/08
 APPR: YOITO 2013/03/12

DOCUMENT NUMBER
 SD-503182-011

DOC TYPE DOC PART REVISION
 PSD 001 C

MATERIAL NUMBER CUSTOMER
 SEE SHEET 1 OF 2 GENERAL MARKET

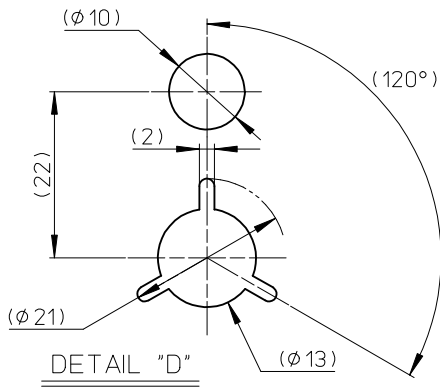
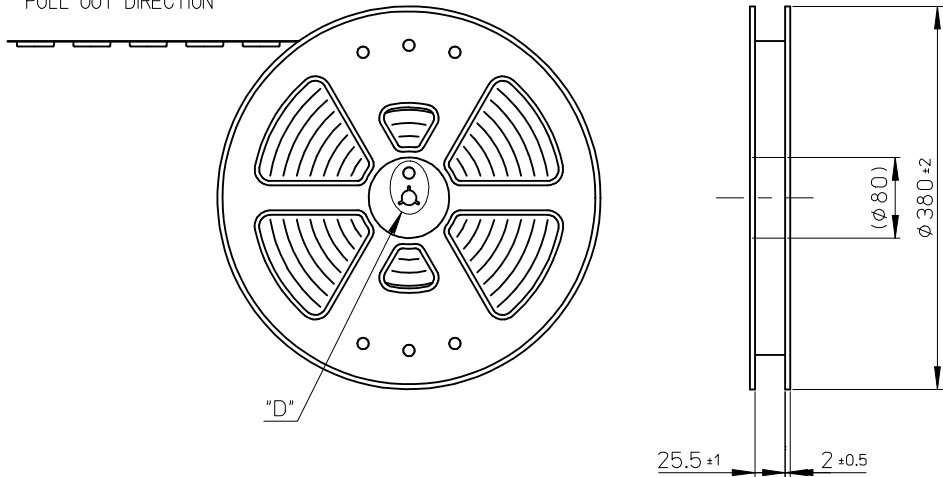
SHEET NUMBER
 2 OF 2

molex

MICRO SD CONN. NORMAL
 ULTRA LOW-PROFILE ASSY

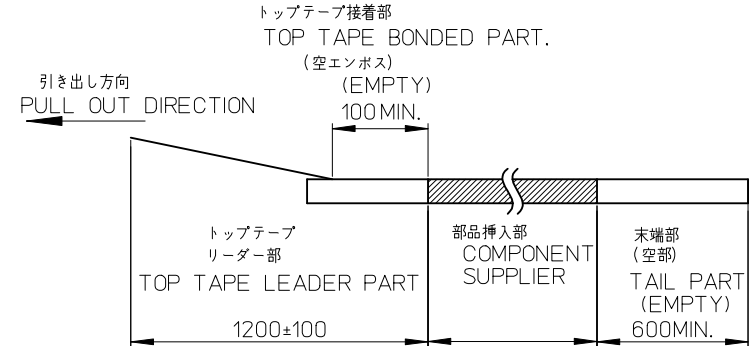
PRODUCT CUSTOMER DRAWING

引き出し方向
PULL OUT DIRECTION



NOTES

- 製品詳細寸法は製品単体図面を参照して下さい。
FOR DETAIL OF CONNECTOR DIMENSIONS, PLEASE SEE THE DRAWING OF CONNECTOR ITSELF (NOT PACKAGED).
- 梱包数量：1600個/リール
NUMBER OF CONNECTORS : 1600 PCS/REEL.
- リードテープ長さ LEAD TAPE LENGTH.



- 材料 MATERIAL
キャリアテープ(CARRIER TAPE) : ポリスチレン (POLYSTYRENE)
トップテープ(TOP TAPE) : PET, PE, PEF
リール(REEL) : ポリスチレン(PS)<リサイクル材含む>
POLYSTYRENE (PS)<RECYCLE MATERIAL CONTAINED>
- ELV AND RoHS COMPLIANT

503182-1852	8
EMBOSSD TAPE	極数
ORDER No. オーダー番号	CIRCUITS
CONNECTOR SERIES No. 503182-***42	

RELEASED EC NO.: J2013-0986 DRWN: YGOTO 2013/03/08 CHKD: MTOMITA 2013/03/08 APPR: YOITO 2013/03/12	DESCRIPTION REV: A	GENERAL TOLERANCES (UNLESS SPECIFIED)		DIMENSION STYLE MM ONLY		SCALE ---	DESIGN UNITS METRIC	THIRD ANGLE PROJECTION		
		10 UNDER	±0.2	DRAWN BY YGOTO	DATE 2013/03/08	TITLE MICRO SD CONN. ULTRA LOW-PRO EMBOSSD TAPE PACKAGE				
		10 OVER 30 UNDER	±0.25	CHECKED BY MTOMITA	DATE 2013/03/08	DOCUMENT NO. SD-503182-012				
		30 OVER	±0.3	APPROVED BY YOITO	DATE 2013/03/12	SHEET NO. 1 OF 2				
		ANGULAR ±1 °	DRAFT WHERE APPLICABLE MUST REMAIN WITHIN DIMENSIONS		MATERIAL NO. SEE CHART					
				SIZE A3	THIS DRAWING CONTAINS INFORMATION THAT IS PROPRIETARY TO MOLEX INCORPORATED AND SHOULD NOT BE USED WITHOUT WRITTEN PERMISSION					

10 9 8 7 6 5 4 3 2 1

F

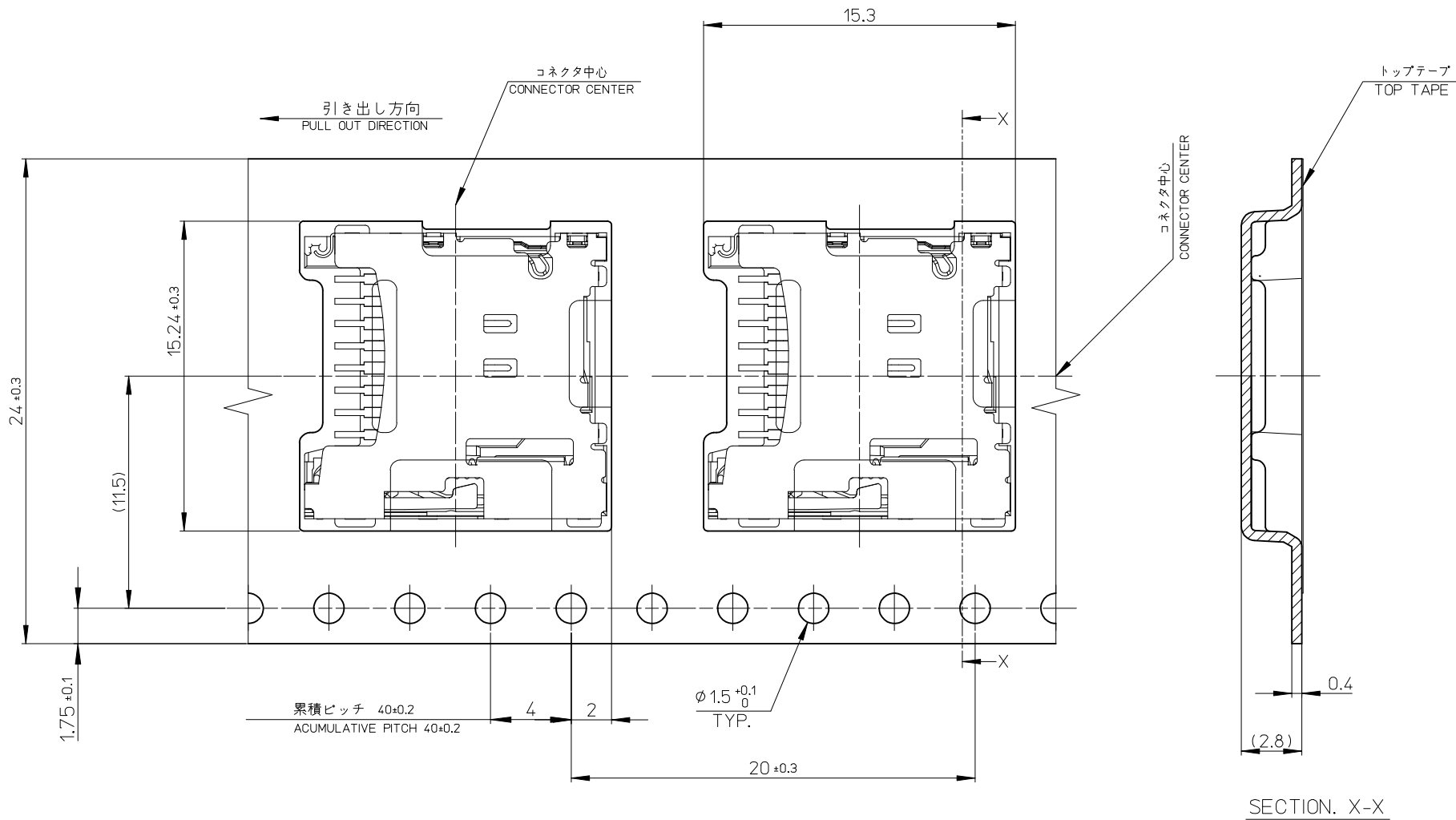
E

D

C

B

A



RELEASED EC NO.: J2013-0986 DRWN: YGOTO CHKD: MTOMITA APPR: YOITO	2013/03/08 2013/03/08 2013/03/12	GENERAL TOLERANCES (UNLESS SPECIFIED)		DIMENSION STYLE	SCALE	DESIGN UNITS	THIRD ANGLE PROJECTION	
				MM ONLY	5:1	METRIC		
		10 UNDER	± 0.2	DRAWN BY	DATE	TITLE		
		10 OVER 30 UNDER	± 0.25	YGOTO	2013/03/08	MICRO SD CONN. ULTRA LOW-PRO EMBOSSED TAPE PACKAGE molex		
30 OVER	± 0.3	CHECKED BY	DATE	DOCUMENT NO.	SHEET NO.			
ANGULAR $\pm 1^\circ$		MTOMITA	2013/03/08	SEE SHEET 1 OF 2		SD-503182-012	2 OF 2	
DRAFT WHERE APPLICABLE MUST REMAIN WITHIN DIMENSIONS		YOITO	2013/03/12	THIS DRAWING CONTAINS INFORMATION THAT IS PROPRIETARY TO MOLEX INCORPORATED AND SHOULD NOT BE USED WITHOUT WRITTEN PERMISSION				

9 8 7 6 5 4 3 2