

DRAWING NO SHEET MODEL NAME ISSUE
SPL9067 1 OF 3 SPL 2

ISSUE	MODIFICATION	DRN	DATE
1	ORIGINAL ISSUE	RE	27.03.12
2	049/12	PR	21/05/12



Marl International Limited

Marl Business Park,
 Ulverston, Cumbria,
 LA12 9BN, England.

tel: +44 (0)1229 582430
 fax: +44 (0)1229 585155
 e-mail: sales@marl.co.uk
 website: www.marl.co.uk

742 Series

SPECIFICATIONS

Overview

A Perimeter light incorporating solid state LEDs to provide a ruggedised, vandal resistant, IP65 rated light source.

Mechanical

Housing: Die cast aluminium.
 Lens: Prismatic polycarbonate.
 IP Rating: IP65.
 Dimensions: See sheet 2
 Mounting details: See sheet 2

Electrical

Input voltage: 100 to 240 VAC
 Operating power: 21W max
 Power factor: 0.9

Optical

Luminaire output: 1473 lumens
 LED Colour: Daylight white
 LED Colour temperature: 5000K
 LED CRI: 66 typ
 Efficacy: 72 lm/W

Thermal

Maximum ambient temperature: 45°C
 Minimum ambient temperature: -20°C

Optional Features

Addition of a DAY/NIGHT SENSOR

IES files available



Benefits

- Low maintenance.
- Low power consumption
- Long Life
- Manufactured in the UK to ISO 9001
- Sealed to IP65
- Low light pollution

Applications

- Security Lighting
- Perimeter Lighting
- Path Lighting
- Architectural Lighting
- Driveway Lighting
- Industrial Lighting



TYPE	Description	Part NO.
1	STANDARD	742-000-83-50
2	DAY/NIGHT SENSOR	742-000-83-51

22/05/12
**NON-MAINTAINED
 COPY**

TOLERANCE/ SCALE UOS		DRN: RE
LINEAR ±0.5		DATE: 27.03.12
ANGULAR N/A	ALL DIMENSIONS	CHK1: NJO
ORIGINAL SCALE 1:5	IN MM	CHK2: RW

DRAWING NO SHEET MODEL NAME ISSUE
SPL9067 2 OF 3 SPL 2

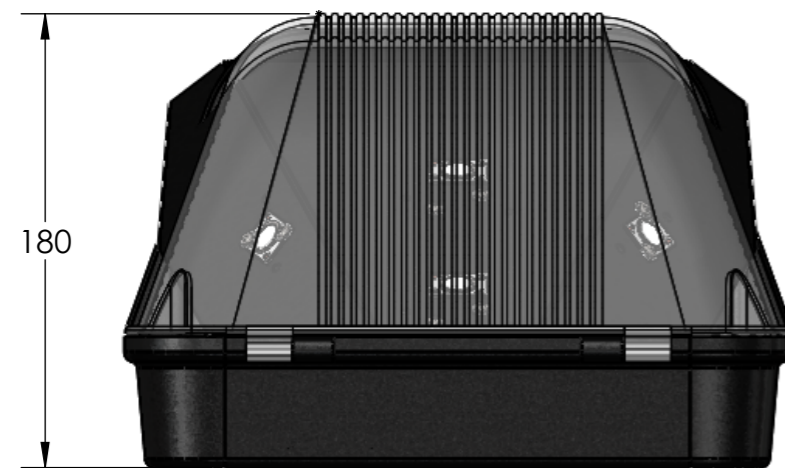
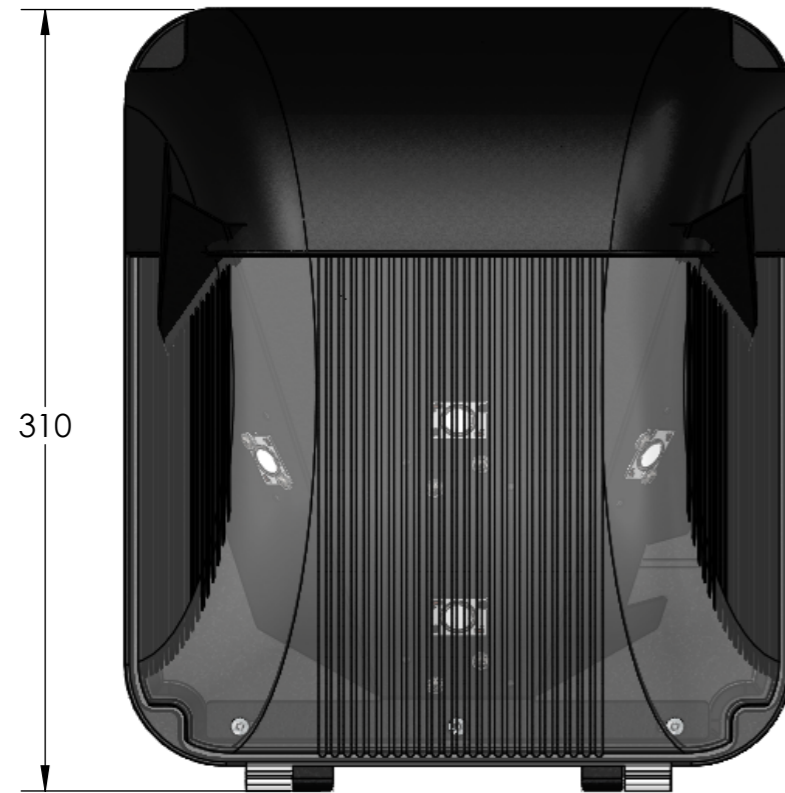
ISSUE	MODIFICATION	DRN	DATE
1	ORIGINAL ISSUE	RE	27.03.12
2	049/12	PR	21/05/12



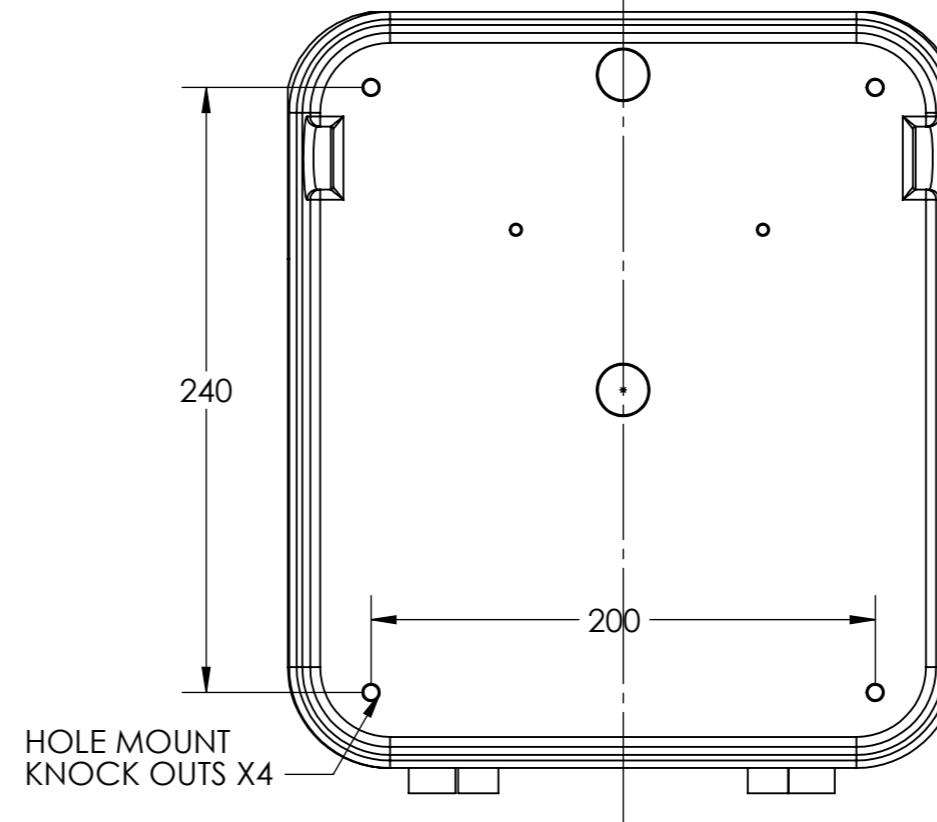
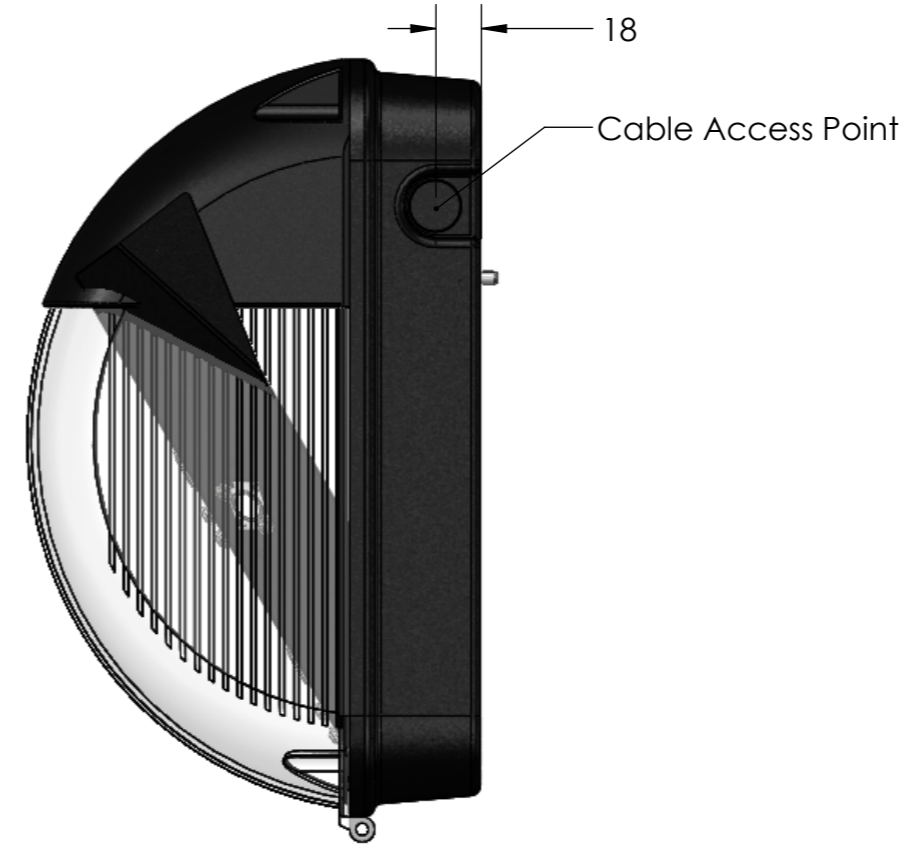
Marl International Limited
 Marl Business Park,
 Ulverston, Cumbria,
 LA12 9BN, England.

tel: +44 (0)1229 582430
 fax: +44 (0)1229 585155
 e-mail: sales@marl.co.uk
 website: www.marl.co.uk

742 Series



22/05/12
**NON-MAINTAINED
 COPY**



Benefits

- Low maintenance.
- Low power consumption
- Long Life
- Manufactured in the UK to ISO 9001
- Sealed to IP65
- Low light pollution

Applications

- Security Lighting
- Perimeter Lighting
- Path Lighting
- Architectural Lighting
- Driveway Lighting
- Industrial Lighting



TOLERANCE/ SCALE UOS		DRN: RE
LINEAR ±0.5		DATE: 27.03.12
ANGULAR N/A	ALL DIMENSIONS	CHK1: NJO
ORIGINAL SCALE 1:5	IN MM	CHK2: RW

DRAWING NO SHEET MODEL NAME ISSUE
SPL9067 3 OF 3 SPL 2

ISSUE	MODIFICATION	DRN	DATE
1	ORIGINAL ISSUE	RE	27.03.12
2	049/12	PR	21/05/12



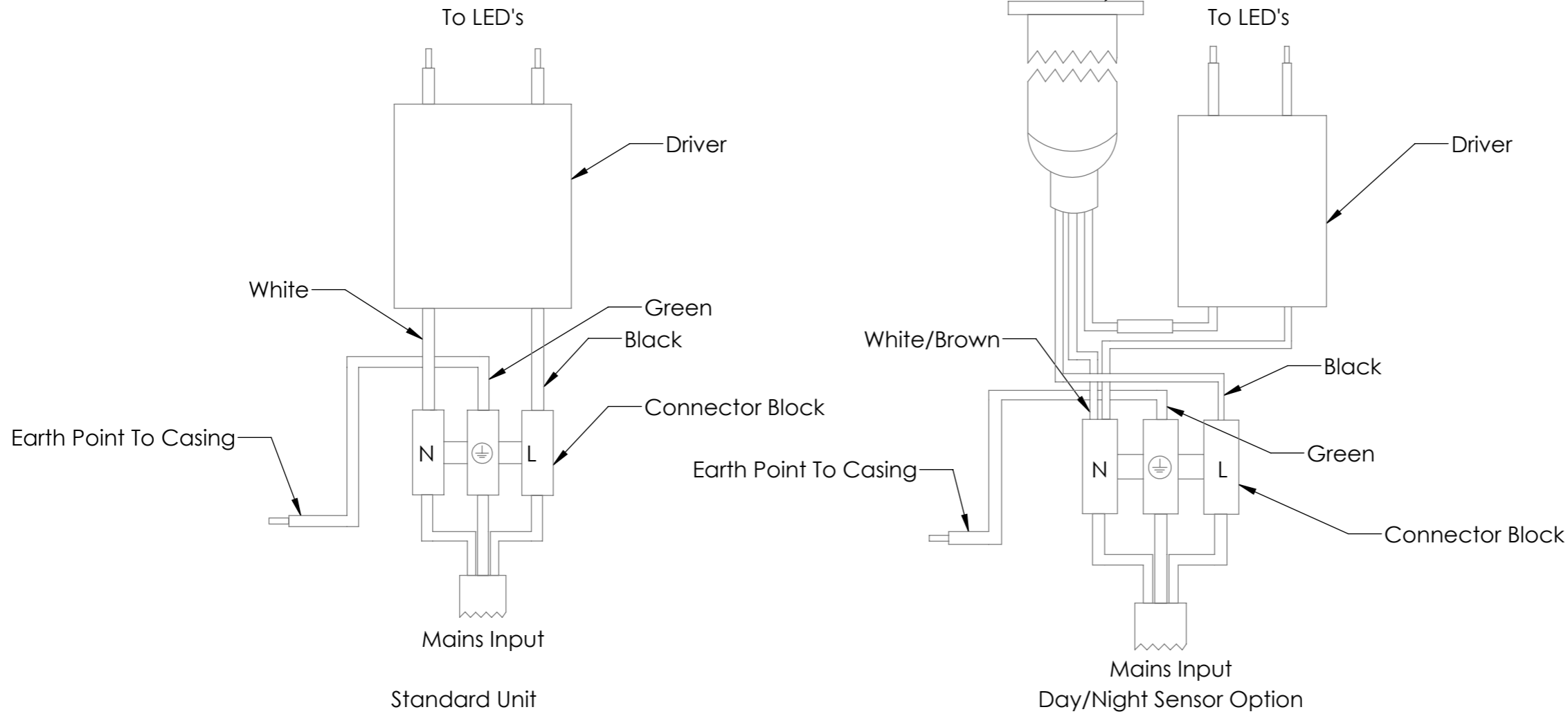
Marl International Limited

Marl Business Park,
 Ulverston, Cumbria,
 LA12 9BN, England.

tel: +44 (0)1229 582430
 fax: +44 (0)1229 585155
 e-mail: sales@marl.co.uk
 website: www.marl.co.uk

22/05/12
**NON-MAINTAINED
 COPY**

742 Series



Ensure Mains Power is Switched Off Prior to opening Unit

Benefits

- Low maintenance.
- Low power consumption
- Long Life
- Manufactured in the UK to ISO 9001
- Sealed to IP65
- Low light pollution

Applications

- Security Lighting
- Perimeter Lighting
- Path Lighting
- Architectural Lighting
- Driveway Lighting
- Industrial Lighting



TOLERANCE/ SCALE UOS		DRN: RE
LINEAR ±0.5		DATE: 27.03.12
ANGULAR N/A	ALL DIMENSIONS	CHK1: NJO
ORIGINAL SCALE 1:5	IN MM	CHK2: RW