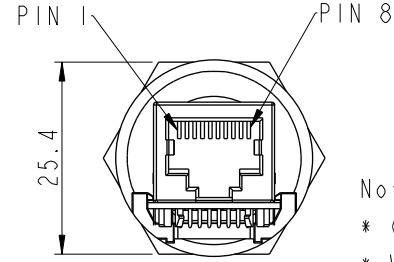
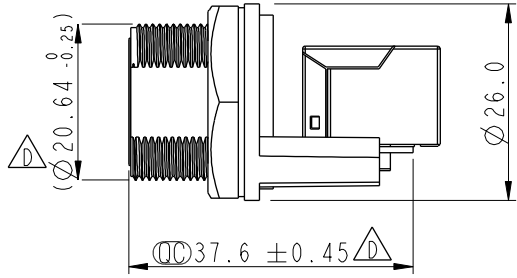
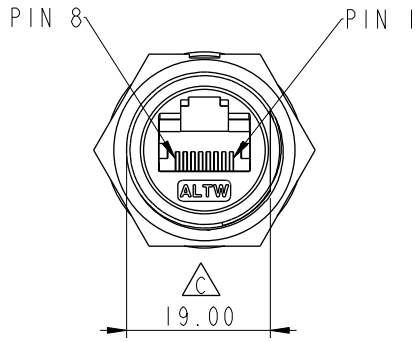
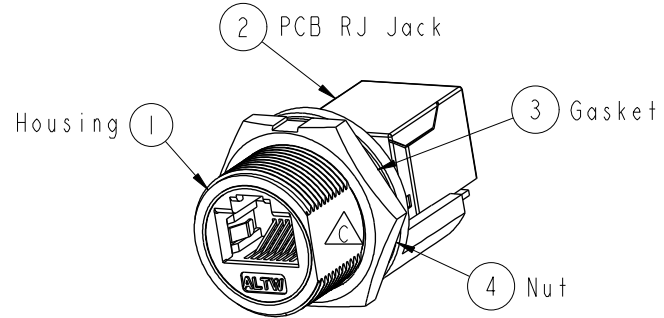
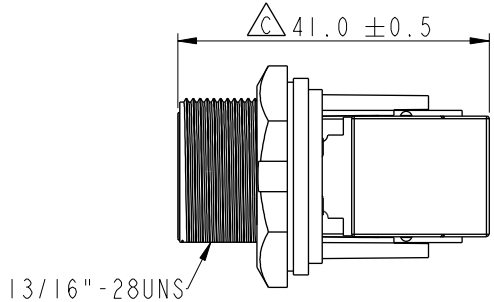
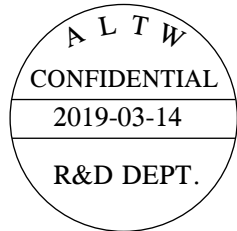
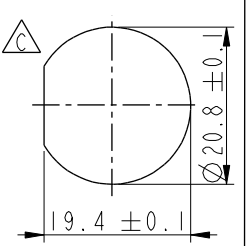


REV.	ECN NO.	DATE	SIGN	DESCRIPTION
C	LEN1440106	2014-04-10	Tom_gu	Change H Cut To D Cut
D	LEN1810036	2017-11-28	Jalam	Change The Tolerance
E	CI90405	2019/03/14	Ruru	Modify Note



- Note: \triangle
- * CC Important Dimension
 - * Waterproof Rate : IP67, Unmated
 - * Housing: Thermoplastic, Black
 - * Nut: Thermoplastic, Black
 - * Gasket: Rubber, Gray.
 - * PCB: FR-4
 - * Jack : Thermoplastic
 - * Use without Waterproof cap or Dust cap For Panel Thickness Max: 4.2mm
 - * Use with Waterproof cap or Dust cap For Panel Thickness Max: 3.0mm
 - * Screw torsion value range: 8~12kgf-cm
 - * Gasket and Nut are packed separately in PE bags.



UNIT: mm TOLERANCE .X ±0.25 .XX ±0.1 .XXX ±0.05 ANGLES ±1°	TITLE RJ45,C SIZE,WATERPROOF		Amphenol LTW 安費諾亮泰企業股份有限公司		ITEM NO RCP-5SPFFH-SCU7001	DRAWN BY Ruru	DATE 2019-03-14
	SCALE 1:1	SIZE A4	SHEET 1 OF 1	DWG NO RCP-5SPFFH-SCU7001	CHECKED BY Rita	DATE 2019-03-14	
	REV. E	WC-REV. C.3	CC : Inspection item	CUSTOMER ALTW	APPROVED BY Max	DATE 2019-03-14	
				W10814-03-01A2			

THIS DOCUMENT IS SUBJECT TO CHANGE WITHOUT NOTICE. IT IS CONFIDENTIAL AND A PROPERTY OF Amphenol LTW. DISCLOSURE TO THIRD PARTY HAS TO BE AUTHORIZED BY Amphenol LTW.