

# Plastic enclosure

217 x 138 x 82.2 mm black ABS



## FEATURES:

Guide slots for 1.6 mm thick boards

PCB mounting: Horizontal and vertical

## SPECIFICATION:

Dimensions L x W x H 217 x 138 x 82.2 mm

Colour black

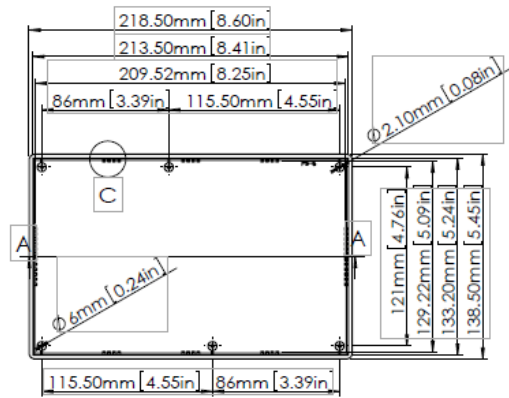
Material ABS

Fire class UL 94 HB

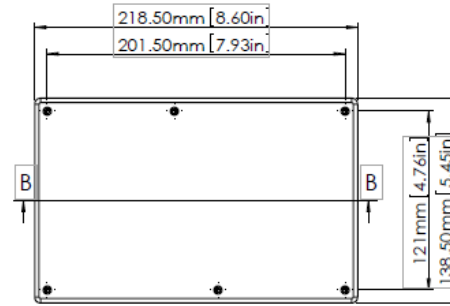


Art. Nr.

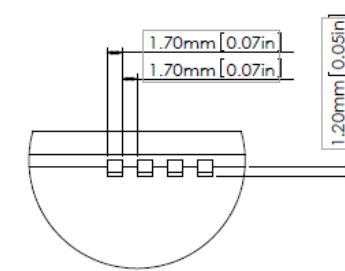
RND 455-00099



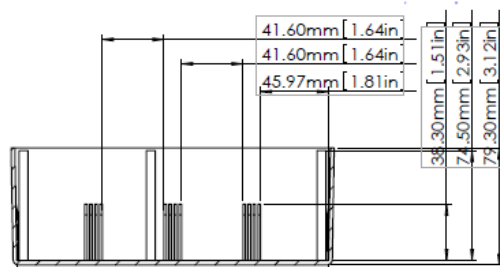
**BASE**



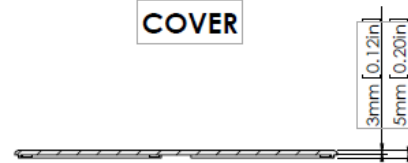
**COVER**



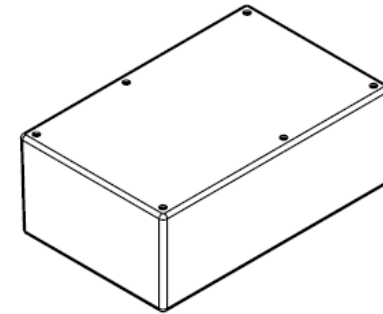
**SECTION C  
SCALE 2:1**



**SECTION A-A  
SCALE 1:3**



**SECTION B-B  
SCALE 1:3**



According to ISO 2768-m	
Measuring DIM=L	Tolerances
0.5<L≤3.0mm	±0.1mm
3.0<L≤6.0mm	±0.1mm
6.0<L≤30.0mm	±0.2mm
30.0<L≤120.0mm	±0.3mm
120.0<L≤400.0mm	±0.5mm
400.0<L≤1000.0mm	±0.8mm