

## Features:

- High power LEDs
- 5mmø standard directivity
- Superior weather-resistance
- UV Resistant epoxy
- White clear type

## Applications

- Automotive dashboard lighting
- Backlighting
- Decorating and entertainment lighting

## Absolute maximum rating (Ta=25°C)

Item	Symbol	Value	Unit
DC Forward current	$I_F$	30	mA
Pulse forward current*	$I_{FP}$	100	mA
Reverse voltage	$V_R$	5	V
Power dissipation	$P_D$	120	mW
Operating temperature	$T_{opr}$	-30 to +85	°C
Storage temperature	$T_{stg}$	-40 to +100	°C
Lead soldering temperature	$T_{sol}$	260°C/5sec	-

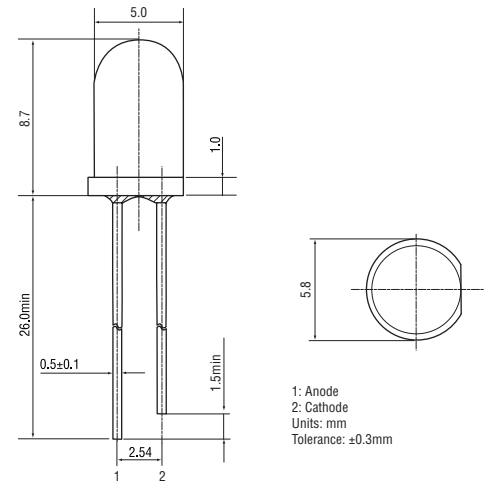
\*Pulse width max. 10ms. Duty ratio max. 1/10.

## Electrical - Optical characteristics (Ta=25°C)

Item	Symbol	Condition	Min.	Typ.	Max.	Unit
DC Forward voltage	$V_F$	$I_F = 20\text{mA}$	2.8	3.3	3.8	V
DC Reverse current	$I_R$	$V_R = 5\text{V}$	-	-	10	$\mu\text{A}$
Domi. wavelength	$\lambda_D$	$I_F = 20\text{mA}$	520	525	530	nm
Luminous intensity	$I_v$	$I_F = 20\text{mA}$	14400	18000	22000	mcd
50% Power angle	$2\theta_{1/2}$	$I_F = 20\text{mA}$	-	15	-	deg



## Outline dimensions:



## Directivity:

