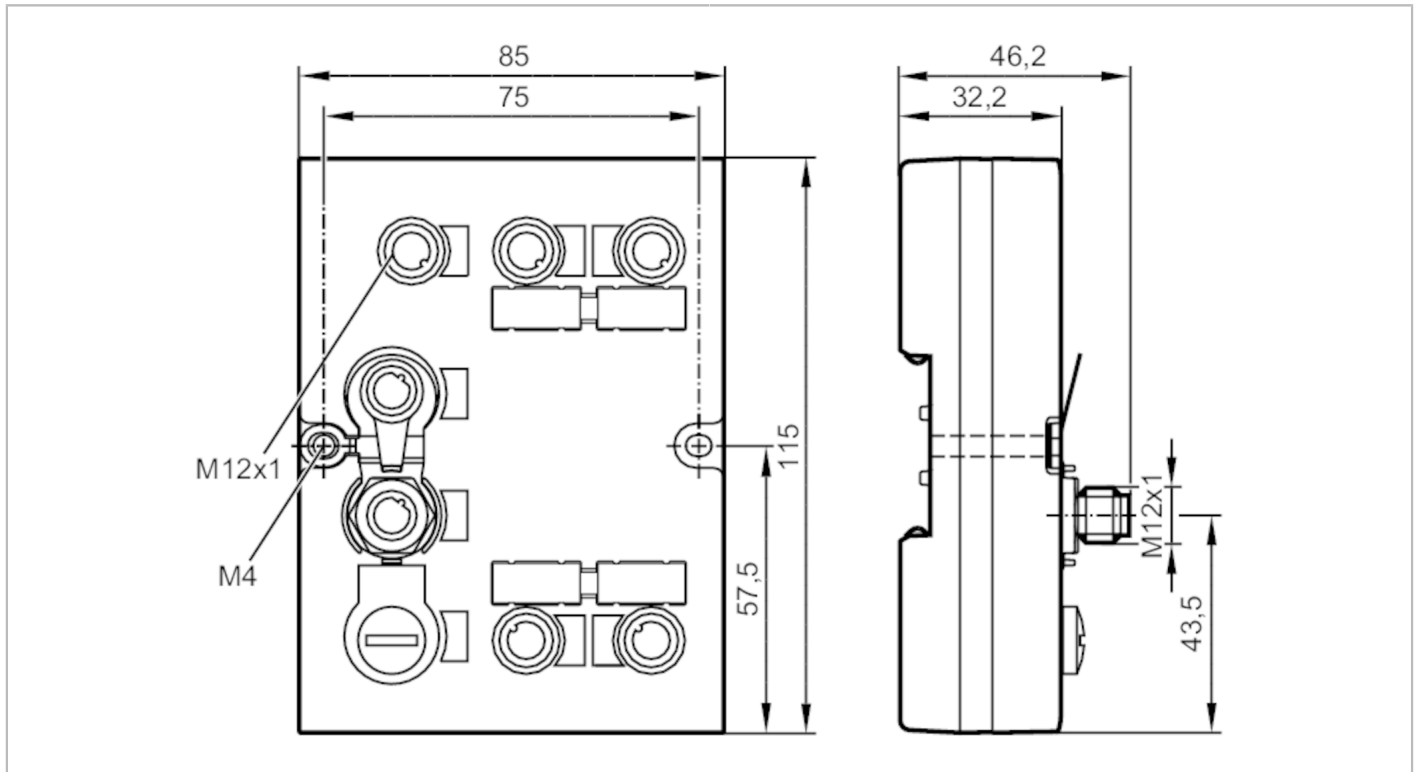


DTE101



RFID evaluation unit LF/HF

DTELF/HFABRWPNUS00



Electrical data		
Operating voltage	[V]	18...30 DC
Current consumption	[mA]	< 3000
Inputs / outputs		
Number of inputs and outputs		Number of digital outputs: 4
Outputs		
Number of digital outputs		4
Max. current load per output	[mA]	500; (IO 1,2; IO 3,4: 1000 mA)
Interfaces		
Communication interface		Ethernet
Protocol		PROFINET
Factory settings		IP address: 192.168.0.79
		subnet mask: 255.255.255.0
		gateway IP address: 192.168.0.100
Operating conditions		
Ambient temperature	[°C]	-20...60
Storage temperature	[°C]	-20...85
Protection		IP 67
Tests / approvals		
Shock resistance		IEC 60068-2-27 15 g 11 ms
Vibration resistance		IEC 60028-2-6 ±1.6 mm (17...18 Hz) / 2 g (10...150 Hz)
MTTF	[years]	108.28

DTE101



RFID evaluation unit LF/HF

DTELF/HFABRWPNU00

Mechanical data

Weight	[g]	393.5
Dimensions	[mm]	115 x 46.2 x 85
Materials		upper part: PA Grivory GV5H orange; upper part: TPE; lower part: GD-ALSi12

Displays / operating elements

Display	voltage supply	1 x LED, green
		1 x LED, yellow
	PROFINET-IO	2 x LED, red/green
	Ethernet	1 x LED, green
		1 x LED, yellow
	Inputs / outputs	1 x LED, green
		1 x LED, yellow

Accessories

Accessories (supplied)	Protective cap: M12, E73004
------------------------	-----------------------------

Remarks

Pack quantity	1 pcs.
---------------	--------

Electrical connection - Ethernet

Port 1/2

1	TD+
2	RD+
3	TD-
4	RD-

Connector: 2 x M12



Electrical connection - Process connection

IO 1...4

1	L+
2	IN (I/Q)
3	L-
4	OUT (C/Qo); IN (C/Qi)
5	n.c.

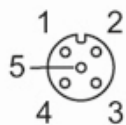
Connector: 4 x M12

DTE101



RFID evaluation unit LF/HF

DTELF/HFABRWPNU00



Electrical connection - voltage supply

AUX

1	24 V DC
2	n.c.
3	0 V
4	n.c.
5	n.c.

Connector: 1 x M12

