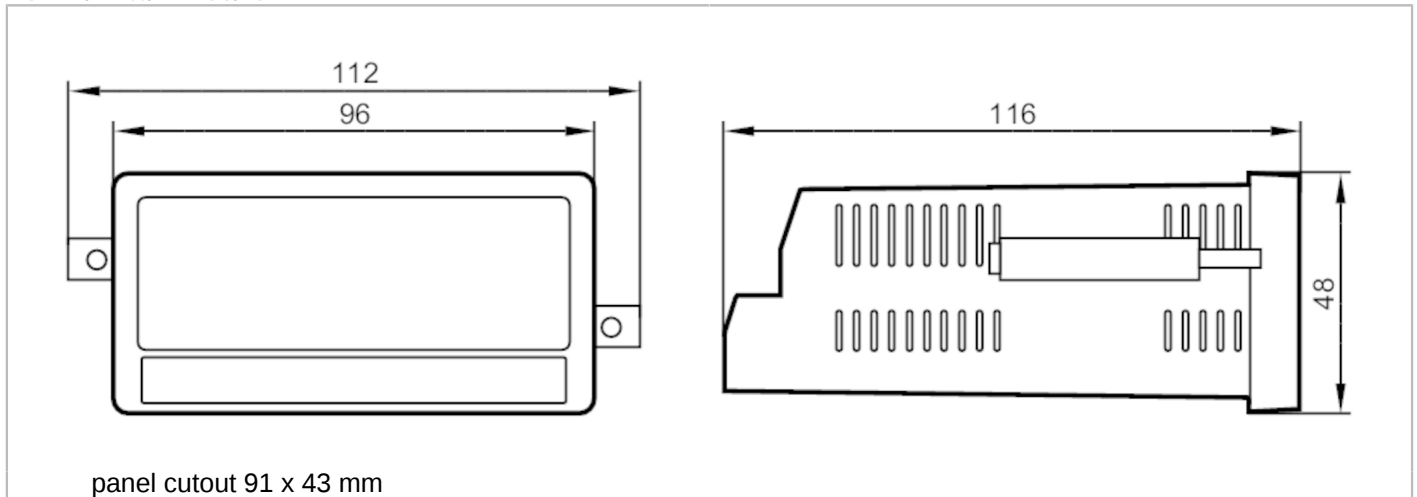


# DX2053



## Multifunction display for monitoring analogue standard signals

DISPLAY/AX460/ANALOG/DC



Product characteristics		
Dimensions	[mm]	48 x 112 x 116
Application		
Application		displaying and monitoring analogue signals; e.g. pressure sensors, temperature sensors or flow sensors
Electrical data		
Operating voltage	[V]	18...30 DC
Current consumption	[mA]	100
Inputs / outputs		
Number of inputs and outputs		Number of analogue inputs: 2; Number of digital outputs: 4; Number of analogue outputs: 1
Inputs		
Number of analogue inputs		2
Outputs		
Number of digital outputs		4
Max. current load per output	[mA]	200
Number of analogue outputs		1
Analogue current output	[mA]	4...20
Max. load	[Ω]	270
Analogue voltage output	[V]	10...10
Overload protection		yes
Operating conditions		
Ambient temperature	[°C]	-20...60
Storage temperature	[°C]	-25...70
Protection		IP 65
Protection rating terminals		IP 20
Tests / approvals		
EMC		EN 61000-6-2
		EN 61000-6-3
		EN 61000-6-4

# DX2053



## Multifunction display for monitoring analogue standard signals

DISPLAY/AX460/ANALOG/DC

Mechanical data		
Weight	[g]	299
Type of mounting		panel cutout: 91 x 43 mm
Dimensions	[mm]	48 x 112 x 116
Materials		Noryl UL94-V-0
Displays / operating elements		
Display	colour display	full graphic LCD display, touch screen
Electrical connection		
screw terminals:		
Connection		

