

**SIEMENS CONTACTOR SUPPRESSOR**

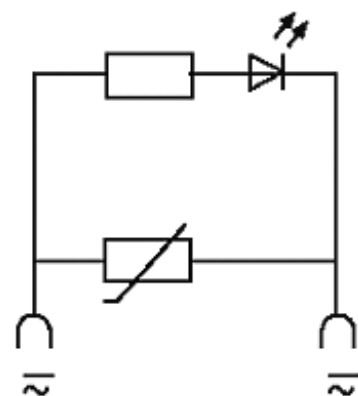
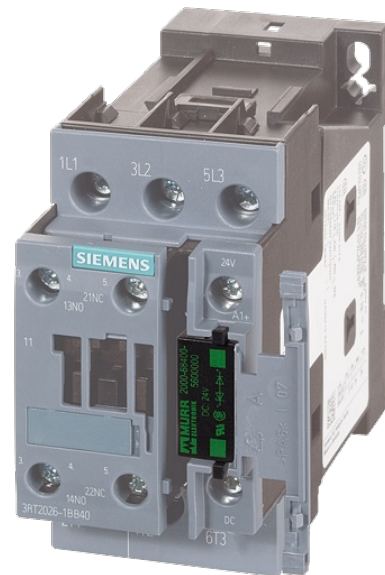
Varistor and LED, 24VAC/DC

24 V AC/DC

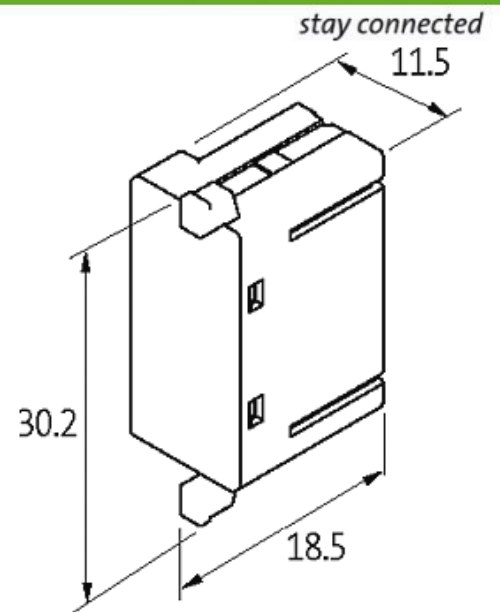
48 V AC/DC

VDR + LED

For other configurations and voltages, please inquire

[Link to Product](#)**Illustration**

VDR + LED



Product may differ from Image

### Approvals



### Appropriate contactors

3 RT 20.25/26/27/28

### Technical Data

Damping factor	approx. 1.5 × UN
Material	Flame retardant plastic acc. to (UL 94)
Connection wires	Plug contact

### General data

Dimensions H × W × D	18.5×30.2×11.5 mm
Temperature range	-20...+70 °C

### Commercial data

country of origin	CZ
customs tariff number	85363010
minimum order quantity	1