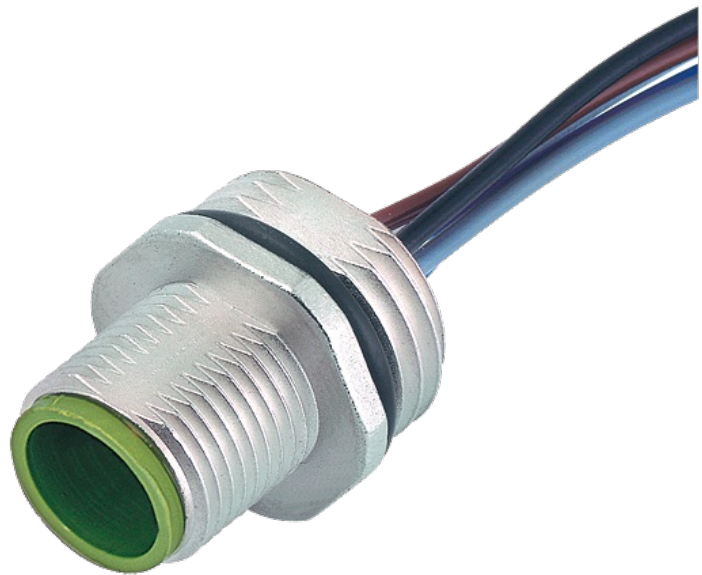


M12 MALE FLANGE PLUG A CODED FRONT MOUNT

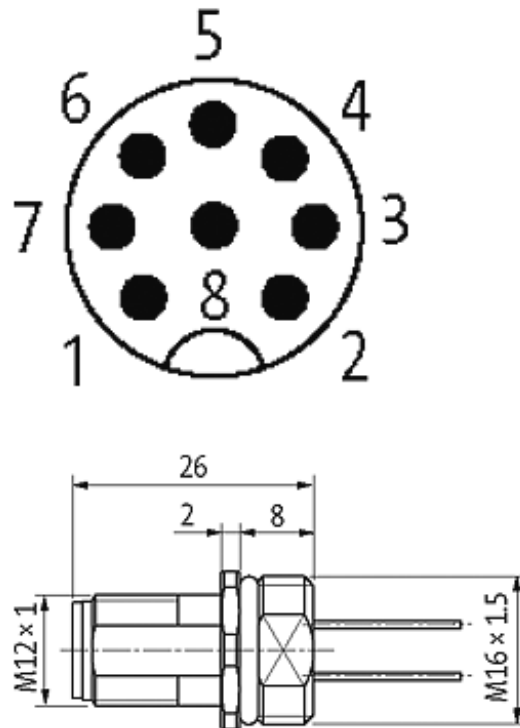
PP-wires 8x0,25 1m

Flange M12 male
8-pole
Front mounting
with multi-strand wire

[Link to Product](#)**Illustration**

1	■	white
2	■	brown
3	■	green
4	■	yellow
5	■	gray
6	■	pink
7	■	blue
8	■	red

Male



Product may differ from Image

Form

17161

Technical Data

Operating voltage	max. 60 V AC/DC
Operating current per contact	max. 2 A
Locking of ports	Screw thread M12 × 1 mm (recommended torque 0.6 Nm) self-securing
Protection	IP67 inserted and tightened (EN 60529)

Cables

Cable number	973
No./diameter of wires	8 × 0.25 mm ²
Wire isolation	PP (wh, br, gn, ye, gr, pk, bl, rd)
C-track properties	2 Mio.
Shore hardness outer jacket	75 ± 5A
Outer diameter	approx. 1.25 mm
Bend radius (fixed)	10 × outer Ø
Bend radius (moving)	15 × outer Ø
Temperature range (fixed)	-40...+80 °C
Temperature range (mobile)	-20...+80 °C

General data

The information in this brochure has been compiled with the utmost care.

Liability for the correctness completeness and topicality of the information is restricted to gross negligence. Version: 05/15

Temperature range -25...+85 °C

Commercial data

country of origin DE

customs tariff number 85444290

minimum order quantity 1