

RES.CUR.OP.CIRCUIT BREAKER TYPE A 25A 1+N-
POLE 30MA 230V 2MW



Figure similar

Model		
product brand name		SENTRON
Product designation		RCCB
Design of the product		Instantaneous
General technical data		
Number of poles		2
Size of installation devices / acc. to DIN 43880		1
Protection against electrical shock		Finger and back-of-hand safe
Short-circuit current rating	kA	10
circuit-breaker / Design		5SV3
Mechanical service life (switching cycles) / typical		10 000
Overvoltage category		III
Protection class		
Protection class IP		IP20, if the distribution board is installed, with connected conductors
Switching capacity		
Switching capacity current		
• acc. to EN 60898 / Rated value	kA	0.5
Dissipation		
Active power loss		
• for rated value of the current / with AC / in hot operating state / per pole	W	2.6
Electricity		

Tripping residual current / Rated value	mA	30
rated current I _n / IEC, DIN/VDE / at 40 Cel	A	25
Current / with AC / Rated value	A	25
Surge current resistance / Rated value	kA	1

Product details

Product property		
<ul style="list-style-type: none"> • halogen-free 		Yes
<ul style="list-style-type: none"> • silicon-free 		Yes
Product expansion / can be installed / supplementary devices		Yes

Number

Number of test cycles / for environmental testing / acc. to IEC 60068-2-30		28
-----------------------------------------------------------------------------------	--	----

Connections

Connectable conductor cross-section / stranded		
<ul style="list-style-type: none"> • minimum 	mm ²	0.75
<ul style="list-style-type: none"> • maximum 	mm ²	35
Connectable conductor cross-section / solid		
<ul style="list-style-type: none"> • minimum 	mm ²	0.75
<ul style="list-style-type: none"> • maximum 	mm ²	35
Tightening torque / with screw-type terminals		
<ul style="list-style-type: none"> • minimum 	N·m	2.5
<ul style="list-style-type: none"> • maximum 	N·m	3
Position / of power supply cord		top or bottom

Mechanical Design

Height	mm	90
Width	mm	36
Depth	mm	70
mounting position		any
Installation depth	mm	70
Number of width units		2
Mounting type		DIN rail (REG)

Environmental conditions

Ambient temperature		
<ul style="list-style-type: none"> • minimum 	°C	-25
<ul style="list-style-type: none"> • maximum 	°C	45
<ul style="list-style-type: none"> • during storage / minimum permissible 	°C	-40
<ul style="list-style-type: none"> • during storage / maximum permissible 	°C	75

Certificates

Equipment marking		
--------------------------	--	--

- acc. to DIN EN 61346-2
- acc. to DIN EN 81346-2

F

F

General Product Approval



IMQ



ÖVE



GOST



VDE



[other](#)

Declaration of Conformity



EG-Konf.

Further information

Information- and Downloadcenter (Catalogs, Brochures,...)

<http://www.siemens.com/lowvoltage/catalogs>

Industry Mall (Online ordering system)

<https://eb.automation.siemens.com/mall/en/WW/Catalog/Product/5SV33126>

Service&Support (Manuals, Certificates, Characteristics, FAQs,...)

<http://support.automation.siemens.com/WW/view/en/5SV33126/all>

Image database (product images, 2D dimension drawings, 3D models, device circuit diagrams, ...)

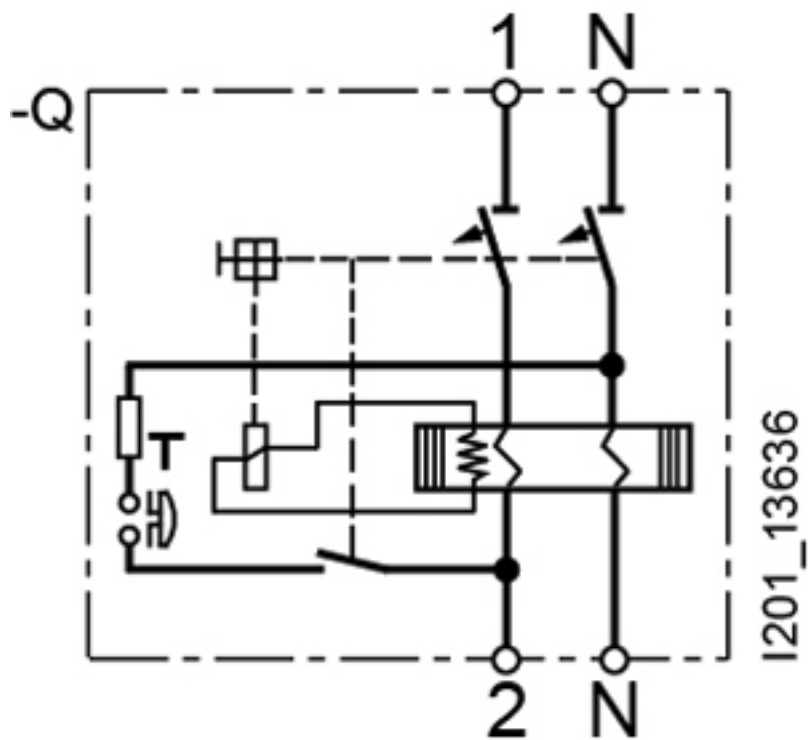
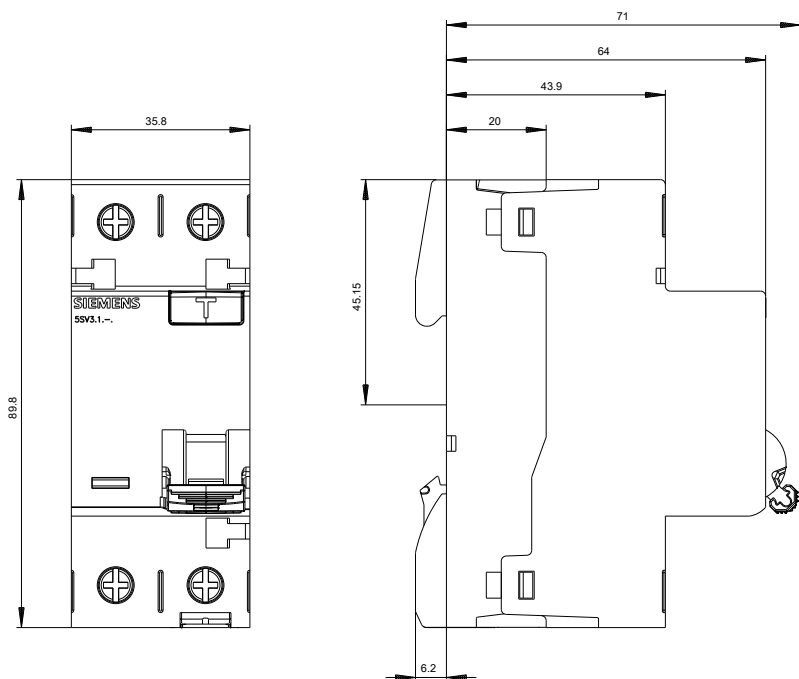
http://www.automation.siemens.com/bilddb/cax_en.aspx?mlfb=5SV33126

CAX-Online-Generator

<http://www.siemens.com/cax>

Tender specifications

<http://ausschreibungstexte.siemens.com/typv>



last modified:

11.03.2015