

# Mounting System

for 1P, 1N, 1T and 1M Housings and Reflectors

## ZNNZ002

Part Number



### Technical Data

#### Mechanical Data

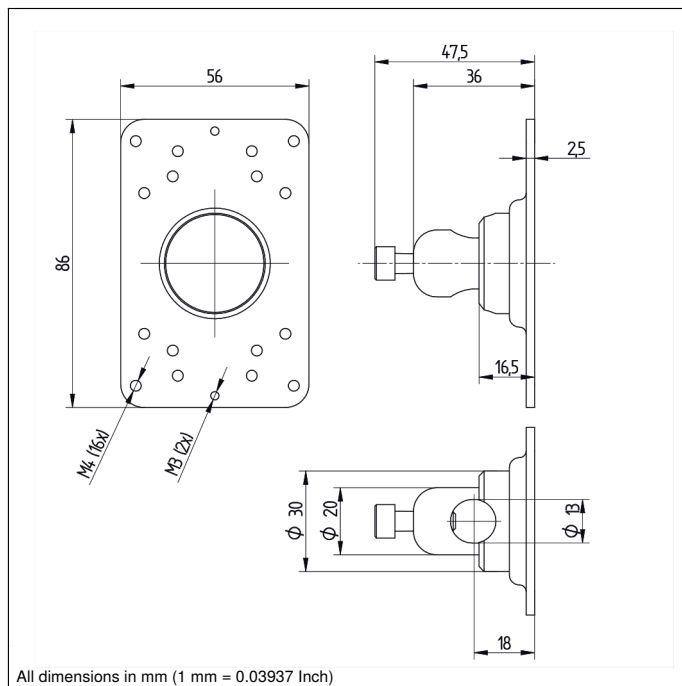
Material Mounting Head	Stainless Steel V2A
Material Mounting Plate	Stainless Steel V2A
for Round Profile Diameter	8...12,5 mm
Packaging unit	1 Piece

Suitable Mounting Technology No.

**550**

- **Highly flexible with 360° horizontal and vertical setting angle range**
- **Quick sensor installation thanks to threaded holes**
- **Rugged stainless steel design**
- **Universal mounting plate suitable for sensors with 1P, 1N, TA and M housings, as well as reflectors**

The rugged, stainless steel mounting system offers all-around full flexibility for installation. Sensors and reflectors can be rotated and set in the horizontal and vertical planes anywhere within a 360° range. Included threaded holes simplify installation and make it quicker.



### Complementary Products

Mounting Set BEF-SET-14 (for 1N and P Housings)

Mounting Set BEF-SET-38 (for TA Housing)

Mounting Set Z1ME001 (for M Housing)

Mounting Set Z1PE004 (for 1P Housing)

