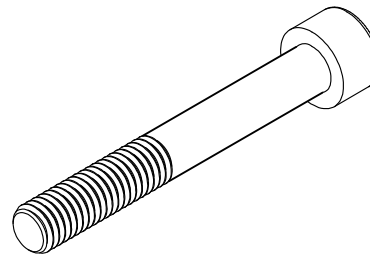
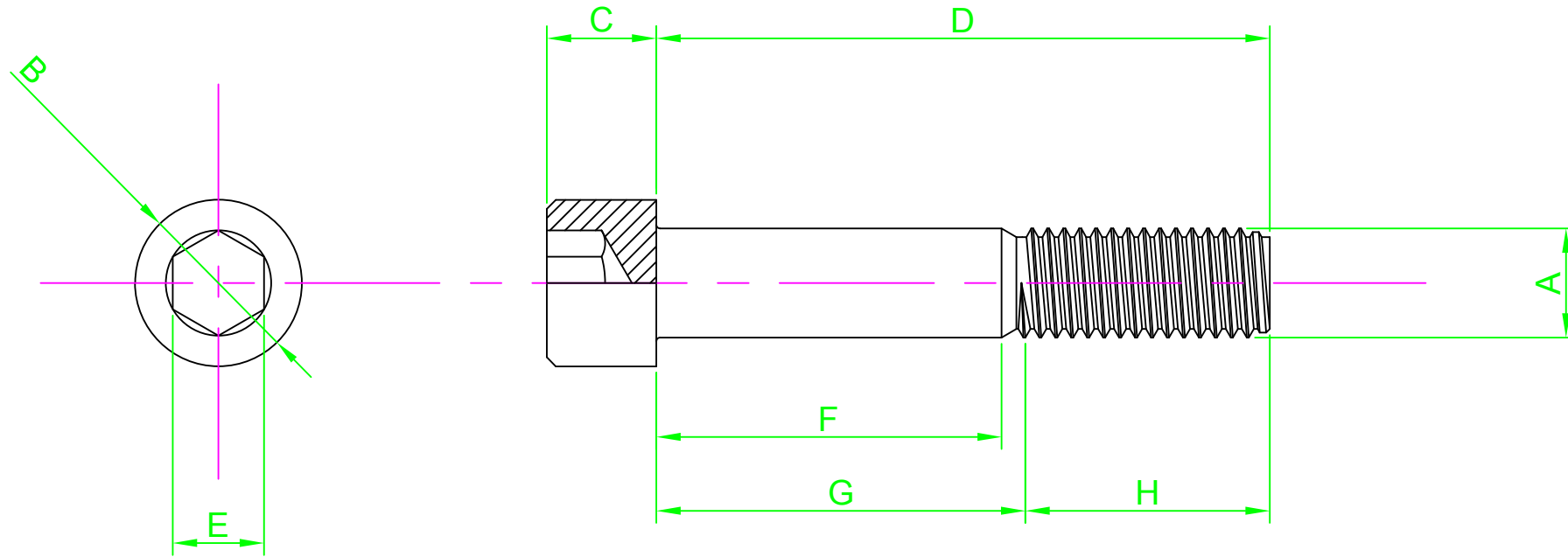


DO NOT SCALE DRAWING

REVISION

A INITIAL DRAWING 25.01.16



Part Number	ØA	B Max	C Max	D Length	E Nom	F Min	G Max	H Ref			
M8 16 SO12CS Z50	M8-1.25	13.27	8.0	16.0	6.0	N/A	3.75	N/A			
M8 20 SO12CS Z50				20.0							
M8 25 SO12CS Z50				25.0							
M8 30 SO12CS Z50				30.0							
M8 40 SO12CS Z50				40.0					5.75	12.0	28
M8 50 SO12CS Z50				50.0					15.75	22.0	28
M10 25 SO12CS Z50	M10-1.50	16.27	10.0	25.0	8.0	N/A	4.5	N/A			

NOTES:



UNLESS OTHERWISE SPECIFIED:
DIMENSIONS ARE IN MM (MILLIMETERS).
SURFACE FINISH:
TOLERANCES: DIN 912

MATERIAL:
Steel

TITLE:
Hex Socket Head Cap Screw DIN 912

	NAME	DATE
DRAWN	Darryl Wilson	25.01.16
CHK'D		
APPVD		

HEAT TREATMENT:
Grade 12.9

DESIGN RIGHT. TR FASTENINGS LTD, 2003
UNDER NO CIRCUMSTANCES MUST THIS
DRAWING BE COPIED OR DISCLOSED
WITHOUT FIRST OBTAINING WRITTEN
AUTHORITY.

CUSTOMER PART NUMBER:
N/A

FINISH:
TC1D - Commercial Zinc/Clear Cr3
De-Embrittled

DRAWING NUMBER:
TR32SO12CSZ50

A4

PROJECTION

