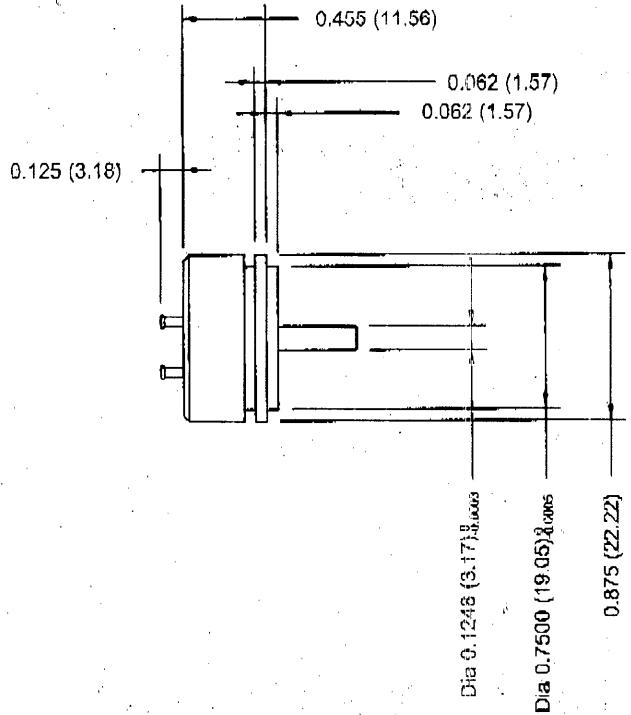
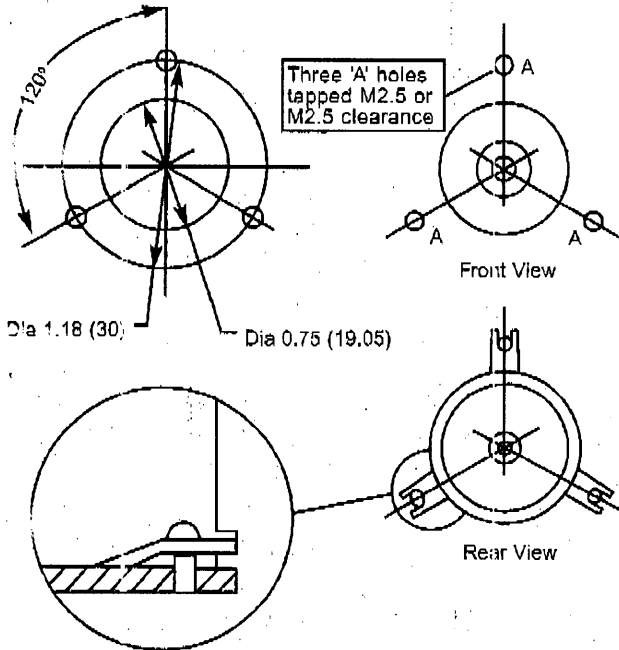


MOUNTING INSTRUCTIONS

Drill panel and fix mounting screws loosely into holes 'A'. Locate flange of potentiometer into the central hole. Slip the curved mounting clamps under the screw threads and into the channel around the potentiometer body as shown in detail. Ensure the clamps are well seated and tighten screws.

MOUNTING INSTRUCTIONS
panel mounting detail



**Vishay Limited (Spectrol Division), Unit 6-7, Marshall Road
Hillmead, SWINDON, Wiltshire SN5 5FZ**

Telephone: +44(0)1793 507700
Sales Fax: +44(0)1793 525163