

08025DA (3110FB)

DC Axial Fan

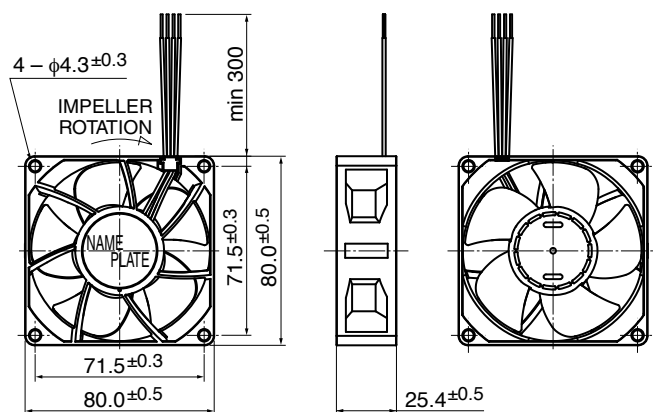
80[□]X25^L



General Specifications

Motor Protection	Auto Restart / Polarity Protection
Insulation Resistance	10MΩ or over with a DC500V Megger
Dielectric Withstand Voltage	AC700V 1s
Allowable Ambient Temperature Range	- 10°C ~ + 60°C (Operating) ※ PClass - 10°C ~ + 70°C (Operating) ※ NClass - 40°C ~ 70°C (Storage) non-condensing environment

Outline

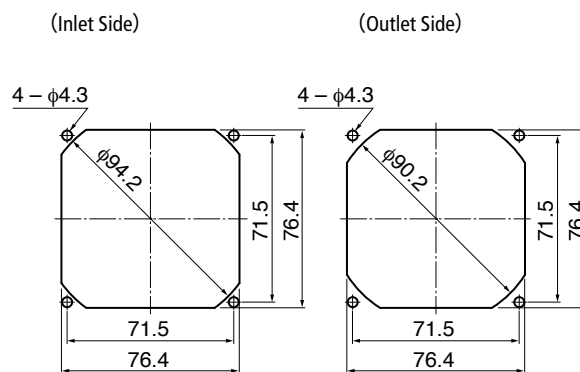


* Outline is A (Rib) type.

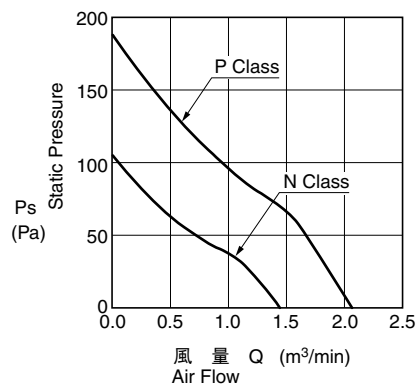
Expected Life ※ Failure Rate: 10% (L10 Life)

40°C 70,000 (Hours)

Panel Out-cuts



Characteristic Curves



Material

Casing	: Plastic (Black) UL94V-0
Impeller	: Plastic (Black) UL94V-0
Bearing	: Ball Bearing
Lead Wire	: UL1430 AWG24 + : Red, - : Black

Variable speed type is also available.
Please inquire regarding the other requirements.

Customize service for IP compatible type and Oil-proof type is available for this item.
Please contact to our sales representative for more detail.

Specifications

□ = Casing Form --- A: Rib Type, E: Flange Type

Model	Product No.	Rating Voltage	Operating Voltage	Current	Input Power	Speed	Max. Air Flow		Max. Static Pressure		Noise	Mass
		(V)	(V)	(A)*1	(W)*1	(min ⁻¹)*1	(m ³ /min)*1	(CFM)*1	(Pa)	(In H ₂ O)	(dB)*1	(g)
08025DA-12N-□A-	00	12	7 ~ 13.2	0.22	2.64	5000	1.45	51.0	105.0	0.42	45.0	120
08025DA-12P-□A-	00			0.49	5.88	7000	2.05	73.0	188.0	0.75	55.0	
08025DA-24N-□A-	00	24	15 ~ 27.6	0.13	3.12	5000	1.45	51.0	105.0	0.42	45.0	
08025DA-24P-□A-	00			0.27	6.48	7000	2.05	73.0	188.0	0.75	55.0	

Rotation: Clockwise as seen from the label side
Airflow Outlet: Label side

*1: Average Values in Free Air

08025DA (D-Type)

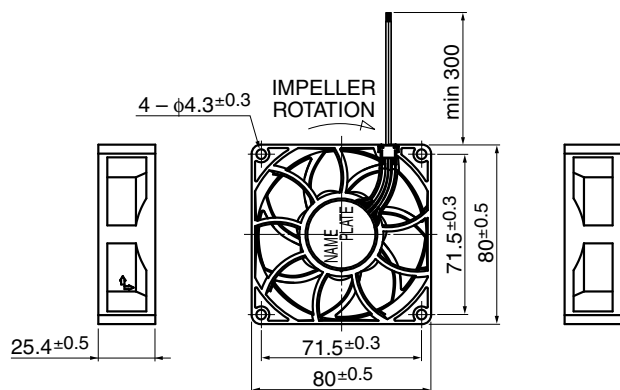
DC Axial Fan

80[□]X25^L



Reference Spec

Outline



General Specifications

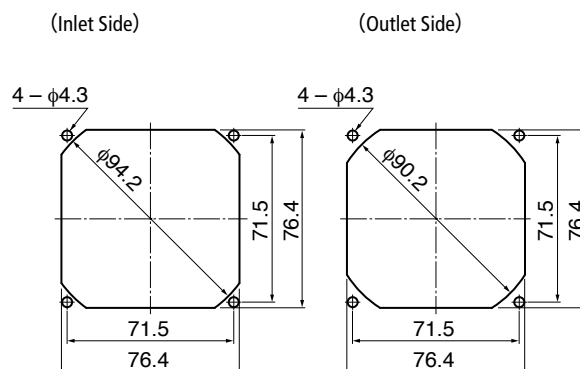
- Motor Protection : Auto Restart / Polarity Protection
- Insulation Resistance : 10MΩ or over with a DC500V Megger
- Dielectric Withstand Voltage : AC700V 1s
- Allowable Ambient : - 10°C ~ + 70°C (Operating)
- Temperature Range : - 40°C ~ + 70°C (Storage)
- non-condensing environment

Expected Life

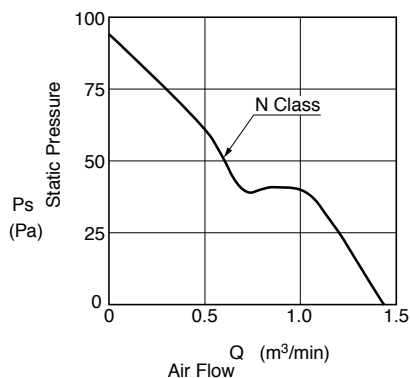
※ Failure Rate: 10% (L10 Life)

40°C 70,000 (Hours)

Panel Out-cuts



Characteristic Curves



Material

- Casing : Plastic (Black) UL94V-0
- Impeller : Plastic (Black) UL94V-0
- Bearing : Ball Bearing
- Lead Wire : UL10368 AWG24 + : Red, - : Black

Variable speed type is also available.
Please inquire regarding the other requirements.

Customize service for IP compatible type and Oil-proof type is available for this item.
Please contact to our sales representative for more detail.

Specifications

Model	Product No.	Rating Voltage	Operating Voltage	Current	Input Power	Speed	Max. Air Flow		Max. Static Pressure	Noise	Mass	
		(V)	(V)	(A)*1	(W)*1	(min ⁻¹)*1	(m ³ /min)*1	(CFM)*1	(Pa)*1	(In H ₂ O)*1	(dB)*1	(g)
08025DA-24N-AAD-	00	24	18 ~ 26.4	0.11	2.6	5250	1.40	49.5	94.0	0.37	42.0	135

Rotation: Clockwise as seen from the label side

Airflow Outlet: Label side

*1: Average Values in Free Air

This information is reference spec, so final spec may change.

General Specifications

Motor Type: DC Brushless Motor

Motor Protection: Auto Restart/Polarity Protection

Motor withstands reverse connection for positive and negative leads.

Insulation Resistance:

10M Ω or over with a DC500V Megger

Dielectric Withstand Voltage:

AC 700V 1s or 500V 1min

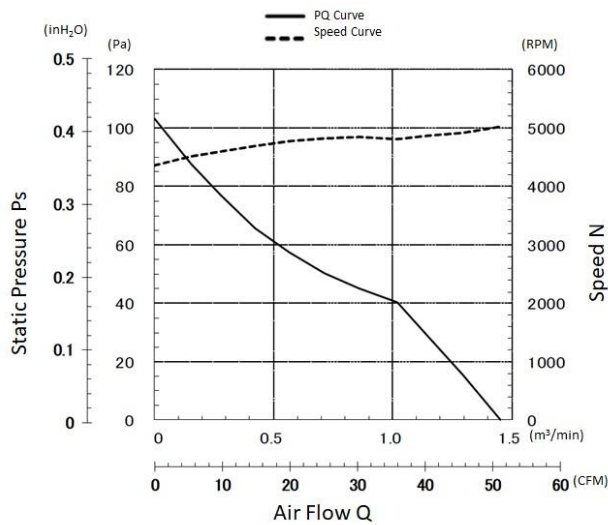
Allowable Ambient Temperature Range:

-10°C ~ +70°C (Operating)

-40°C ~ +70°C (Storage)

(non-condensing environment)

Characteristics Curves



PWM Benefits & Applications

PWM Benefits

- Increased Life Expectancy
- Energy Saving
- Lower Vibration
- Lower Noise
- Current Spike Prevention

PWM Applications

- Routers
- Switches
- Storage
- Data Centers
- Optical Repeaters
- Broadcast Equipment
- Inverters
- UPS
- Battery Chargers
- Fuel Cells
- Industrial Power Supplies
- Welders
- Plasma Cutters
- Instrumentation
- Test Equipment
- Enclosures and more

- Customized fan performances at multiple operating points.
- Peak efficiency resulting in lower total ownership costs.
- Cost effective and better reliability.

Life Expectancy L10

40°C 70,000 Hours

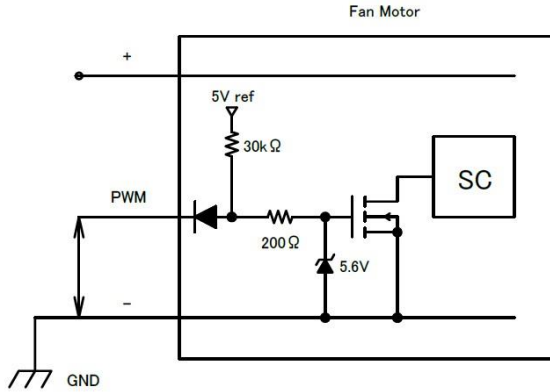
Specifications

MODEL	Rated Voltage	Operating Voltage	Current		Input Power		Speed (min ⁻¹) ¹	Max. Air Flow		Max. Static Pressure		Noise (dB) ¹	Mass (g)
	(V)	(V)	(A) ¹	(A) ¹	(W) ¹	(W) ¹		(CFM)	(m ³ /min)	(inH ₂ O)	(Pa)		
	08025DA-12N-EU-02	12	7.0 ~13.2	0.22	0.40	2.64	4.80	5000	51.2	1.45	0.42	105	45.0

*1: Values in Free Air

PWM Specifications

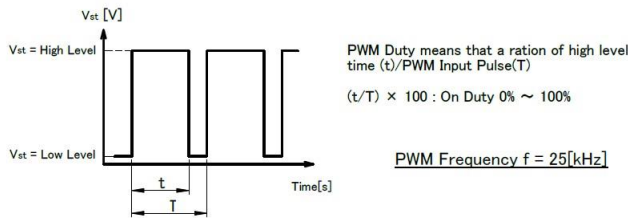
PWM CONTROL CONNECTION



1. PWM Control

- V_{st} = Low Level (0V~0.4V) → Stop (On Duty 0%)
- V_{st} = High Level (4.0V~5.0V) → Full Speed (On Duty 100%)
- V_{st} = Open → Full Speed

2. PWM Duty & PWM Input Pulse



TACHO Specifications

TACHO SIGNAL

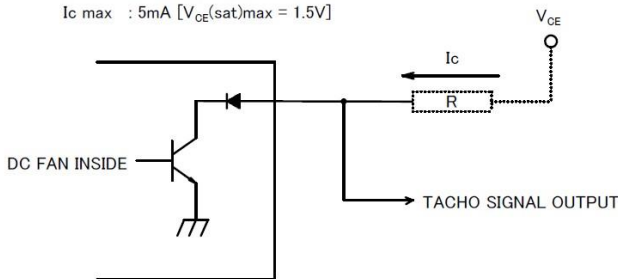
1. OUTPUT CIRCUIT : OPEN COLLECTOR
2. SPECIFICATION

Ta=25°C

Absolute Maximum Ratings at Ta=25°C

V_{CE} max : +15V

I_c max : 5mA [V_{CE(sat)}max = 1.5V]

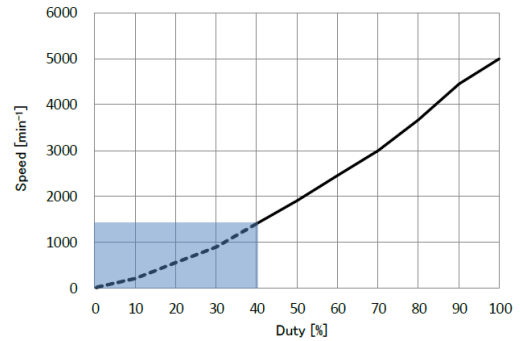


TACHO SIGNAL CIRCUIT

PWM Characteristics Curve

Reference PWM Duty VS Speed

Conditions: at rating Voltage, V_{st}=5.0V, f=25kHz, Ta=25°C



3. The condition for PWM control are as follows.

•When you use this under PWM control, always be sure the motor's operation under practical mounting state.
Fan motor may not start up caused by PWM control at very low speed condition.

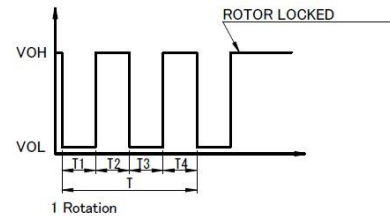
•To run at Rating Voltage.

•Please use the start with Duty 40% or more at 25kHz.
[At rated voltage input, Ambient temperature 25°C]

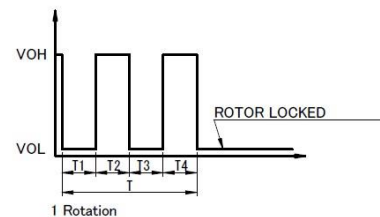
3. OUTPUT WAVEFORM : AT RATED VOLTAGE

OUTPUT SIGNAL VOLTAGE

3-1 Case-1



3-2 Case-2

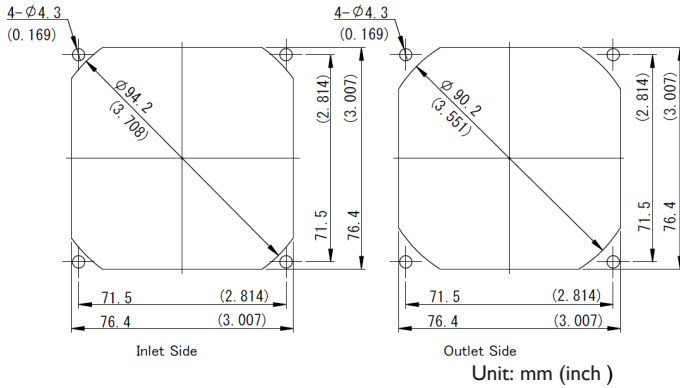


- 1) When the rotor is locked at VOH position of signal, signal keeps VOH position.
- 2) When the rotor is locked at VOL position of signal, signal keeps VOL position.
- 3) $T = T1 + T2 + T3 + T4 = 60 / m = 1$ rotation

m : min⁻¹

Tach Duty Cycle = 50% ± 10%

Panel Cut-Outs

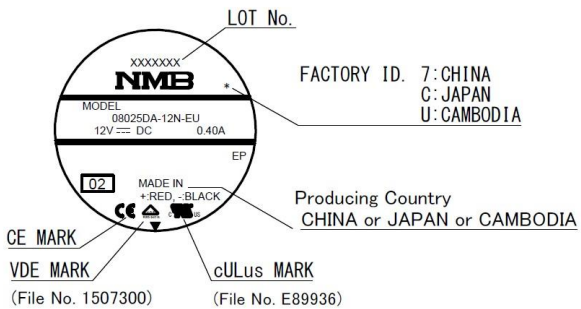


Materials

- Casing : Plastic (Black UL94V-0)
- Impeller : Plastic (Black UL94V-0)
- Bearing : Ball Bearing
- Lead Wire : UL10368 AWG26 or UL3443 AWG26
- (+) : Red (-) : Black
- PWM : Brown Tach : White

Outline

Name Plate



FLANGE TYPE

