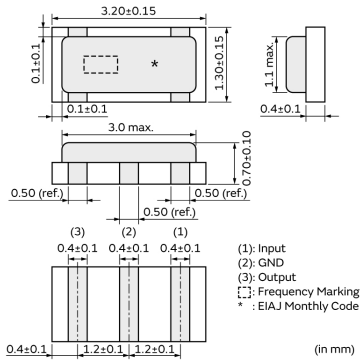
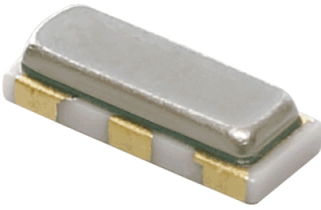


# CSTNE8M00G52A000R0



## Appearance & Shape



## Features

MURATA's package technology expertise has enabled the development of the Chip CERLOCK(R) with built-in load capacitors. This diverse series owes its development to MURATA's original mass production techniques and high reliability, and has achieved importance in the worldwide automotive market.

### Features

1. High reliability and available for a wide temperature range.
2. Oscillation circuits do not require external load capacitors.
3. Available for a wide frequency range.
4. Extremely small and have a low profile.
5. No adjustment is necessary for oscillation circuits.
6. Stable supply is ensured due to not using precious metal(Palladium).

## Applications

|                  |                   |
|------------------|-------------------|
| Automotive Usage | Powertrain/Safety |
| Other Usage      | Automotive        |

## Packaging Information

| Packaging | Specifications      | Standard Packing Quantity |
|-----------|---------------------|---------------------------|
| R0        | 180mm Embossed Tape | 3000                      |

**Attention**  
1.This datasheet is downloaded from the website of Murata Manufacturing Co., Ltd. Therefore, it's specifications are subject to change or our products in it may be discontinued without advance notice. Please check with our sales representatives or product engineers before ordering.  
2.This datasheet has only typical specifications because there is no space for detailed specifications.  
Therefore, please review our product specifications or consult the approval sheet for product specifications before ordering.

# CSTNE8M00G52A000R0



## Specifications

|                                     |                              |
|-------------------------------------|------------------------------|
| Product Type                        | Ceramic Resonator (CERALOCK) |
| Series                              | CSTNE_G_A                    |
| Frequency                           | 8.000MHz                     |
| Frequency Tolerance                 | +/-0.50% max.                |
| Operating Temperature Range         | -40°C~125°C                  |
| Frequency Shift by Temperature      | +/-0.20% max.                |
| Frequency Aging                     | +/-0.10% max.                |
| Resonant Impedance (R1)             | 40ohm max.                   |
| Built-in Load Capacitance (CL1/CL2) | 10pF                         |
| Shape                               | SMD                          |
| Wash                                | available                    |
| L x W (size)                        | 3.2x1.3mm                    |
| Mass                                | 10.48mg                      |

### Attention

- 1.This datasheet is downloaded from the website of Murata Manufacturing Co., Ltd. Therefore, it's specifications are subject to change or our products in it may be discontinued without advance notice. Please check with our sales representatives or product engineers before ordering.
- 2.This datasheet has only typical specifications because there is no space for detailed specifications. Therefore, please review our product specifications or consult the approval sheet for product specifications before ordering.