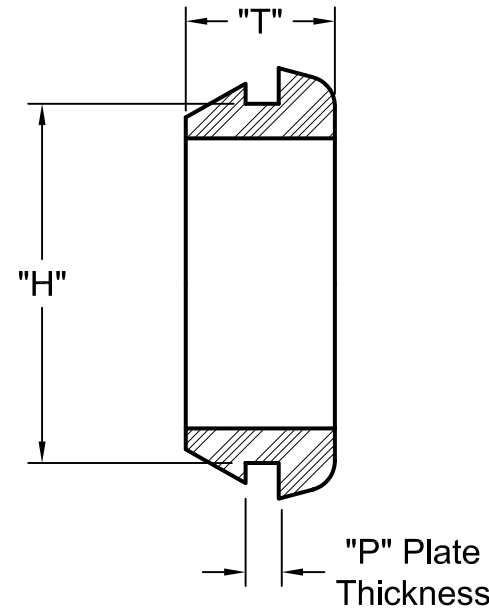
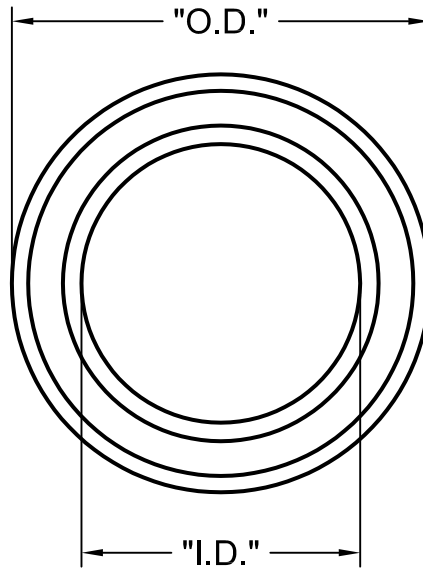


REVISIONS

DCP #	REV	DESCRIPTION	DRAWN	DATE	CHECKD	DATE	APPRVD	DATE
811	A	RELEASED	JWM	2/2/01	JC	4/11/01	DJC	4/27/01
1865	B	RoHS ADDED	DCM	10/17/05	JWM	10/18/05	JWM	10/18/05



SPC Type No.	"T"	"P"	Mtg Hole "H"	"I.D."	"O.D."
SPC4876			.39 [9.9]	.24 [6.1]	.53 [13.5]
SPC4877	.32 [8.0]	.06 [1.5]	.55 [14.0]	.39 [9.9]	.69 [17.5]
SPC4878			.71 [18.0]	.55 [14.0]	.85 [21.6]
SPC4879			.43 [10.9]	.28 [7.1]	.57 [14.5]
SPC4880	.33 [8.5]	.08 [2.0]	.55 [14.0]	.39 [9.9]	.69 [17.5]
SPC4881			.87 [22.1]	.71 [18.0]	1.00 [25.4]
SPC4882	.37 [9.5]	.12 [3.0]	.39 [9.9]	.24 [6.1]	.53 [13.5]
SPC4883			.55 [14.0]	.39 [9.9]	.69 [17.5]

- NOTES:
 1. Material: Soft PVC
 2. Color: Black

DISCLAIMER:
 ALL STATEMENTS AND TECHNICAL INFORMATION CONTAINED HEREIN ARE BASED UPON INFORMATION AND/OR TESTS WE BELIEVE TO BE ACCURATE AND RELIABLE. SINCE CONDITIONS OF USE ARE BEYOND OUR CONTROL, THE USER SHALL DETERMINE THE SUITABILITY OF THE PRODUCT FOR THE INTENDED USE AND ASSUME ALL RISK AND LIABILITY WHATSOEVER IN CONNECTION THEREWITH.

TOLERANCES:
 Tolerances Unless Otherwise Specified:
 .XX = ±.020

DRAWN BY:	DATE:
Jeff McVicker	2/2/01
CHECKED BY:	DATE:
JOHN COLE	4/11/01
APPROVED BY:	DATE:
Daniel Carey	4/27/01

DRAWING TITLE: Grommets			
SIZE A	DWG. NO. TA-287	ELECTRONIC FILE TA-287	REV B
SCALE: NTS	U.O.M.: INCHES [mm]	SHEET: 1 OF 1	