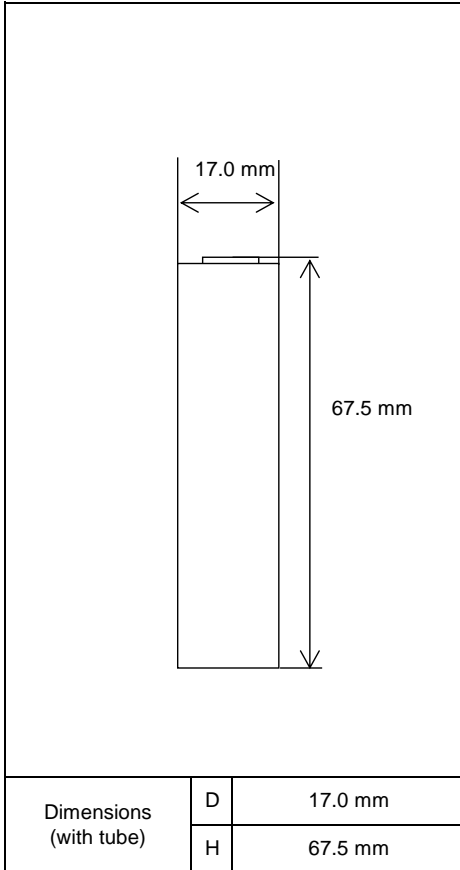


### Specifications

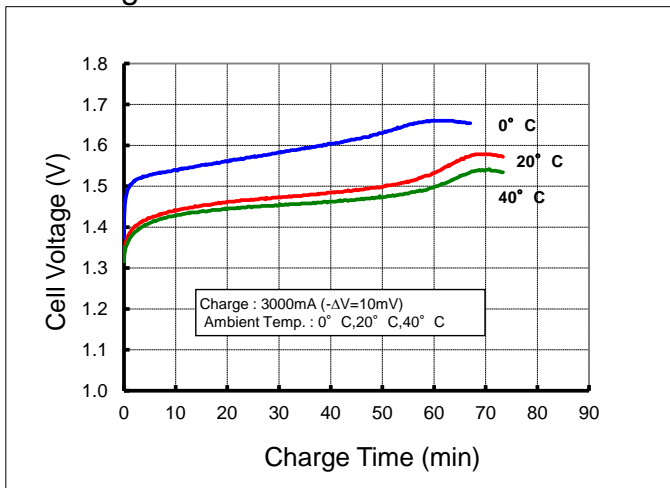


Type : Nickel-Metal Hydride Battery		Size : 4/3A
Capacity <sup>1)</sup>	Typical	4000mAh
	Minimum	3600mAh
Nominal Voltage		1.2V
Charging Current x Time	Fast Charge <sup>2)</sup>	3000mA x about 1.4h
Ambient Temp.	Charge Condition	Fast Charge <sup>2)</sup>
	Discharge Condition	0°C ~ +40°C
	Storage Condition	0°C ~ +50°C
Storage Condition	Less than 30days	-20°C ~ +50°C
	Less than 90days	-20°C ~ +40°C
	Less than 1year	-20°C ~ +30°C
Internal Impedance <sup>3)</sup> (after discharge to E.V.=1.0V)		Approx. 20mΩ (at 1000Hz)
Weight <sup>4)</sup>		Approx. 53 g
Size <sup>4)</sup> : (Diameter) x (Height)		17.0(D) x 67.5(H) mm

- 1) Single cell capacity under the following condition.  
Charge : 400mA x 16h, Discharge : 800mA (E.V.=1.0V) at 20°C
- 2) Use recommended charging system.
- 3) After a few charge and discharge cycles under the above 1) condition.
- 4) With tube.

### Typical Characteristics

#### Charge



#### Discharge

