



## Specifications

Contact Rating	2A @ 36VDC
Electrical Life	50000 cycles
Contact Resistance	50 mohms max. (initial)
Insulation Resistance	1000 Mohms min. @ 500VDC
Dielectric Strength	1500V RMS 50~60Hz
Operating Temperature	-20°C ~ +55°C
Switching Circuit	OFF-MOM
IP Class	IP67 front panel protection & IK08
Torque	0.6Nm max. applied to nut
Operating Force	2.5~4N
LED Colour	Blue
LED Voltage	24V
Suitable Cable Range	AWG 24~28

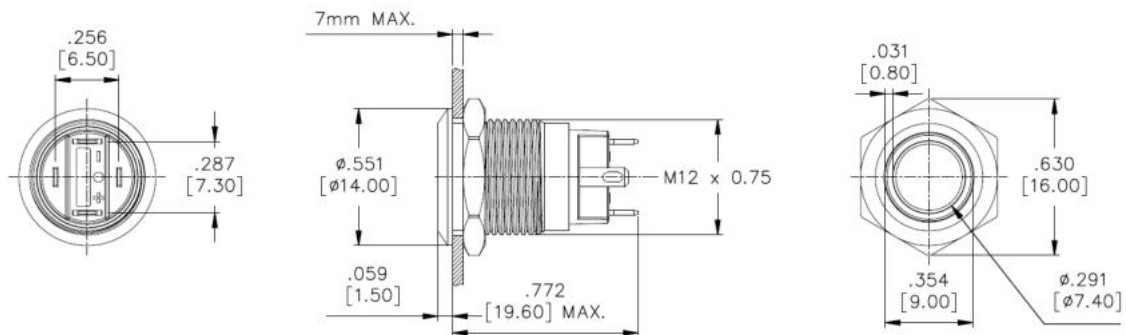
## Materials

Bushing & Button	Stainless steel with varnish
Contact	Silver alloy
Nut	Nickel plated brass
Base	PA

## Art. Nr.

**RND 210-00566**

Specifications and Dimensions subject to change



CONTACT CONFIGURATION