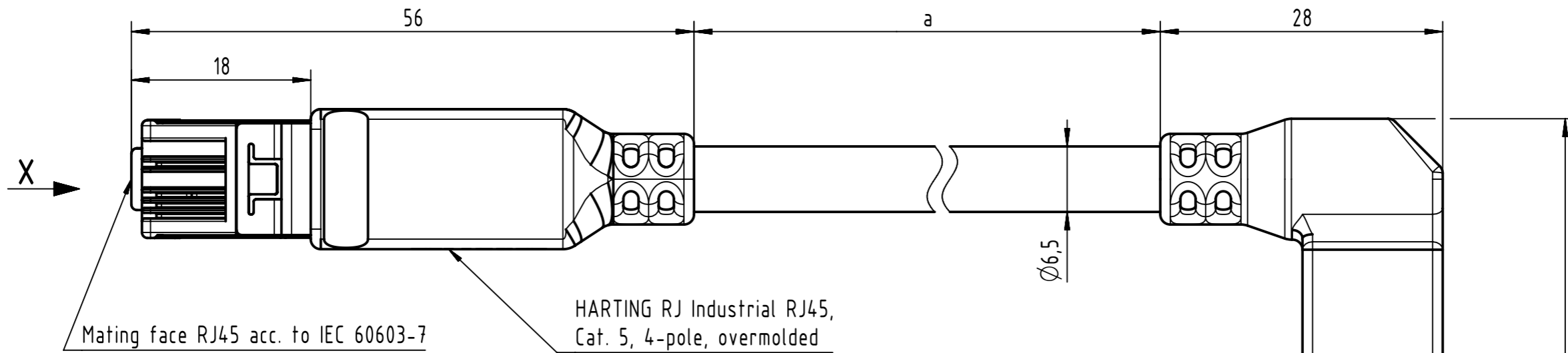


Connector Location A

Connector Location B



Mating face RJ45 acc. to IEC 60603-7

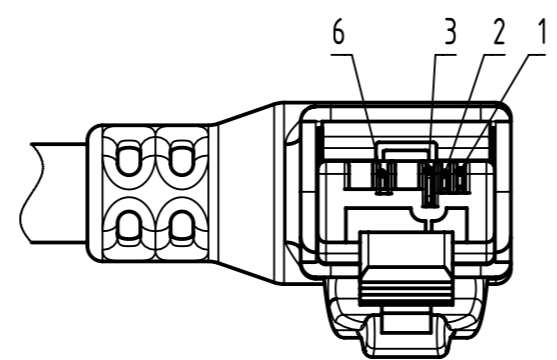
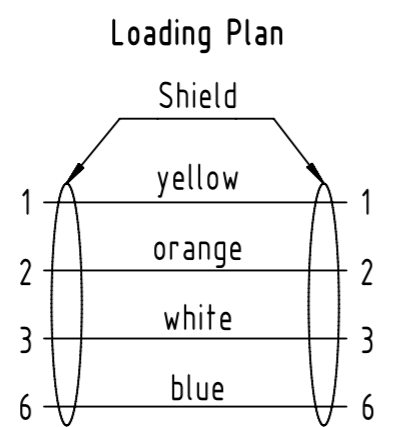
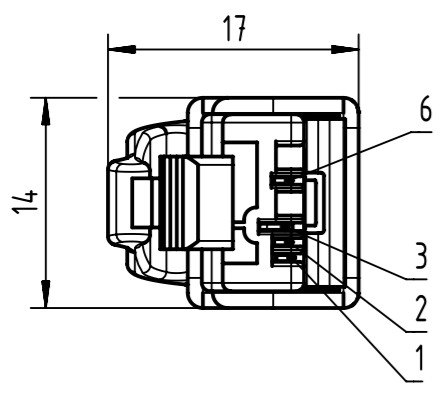
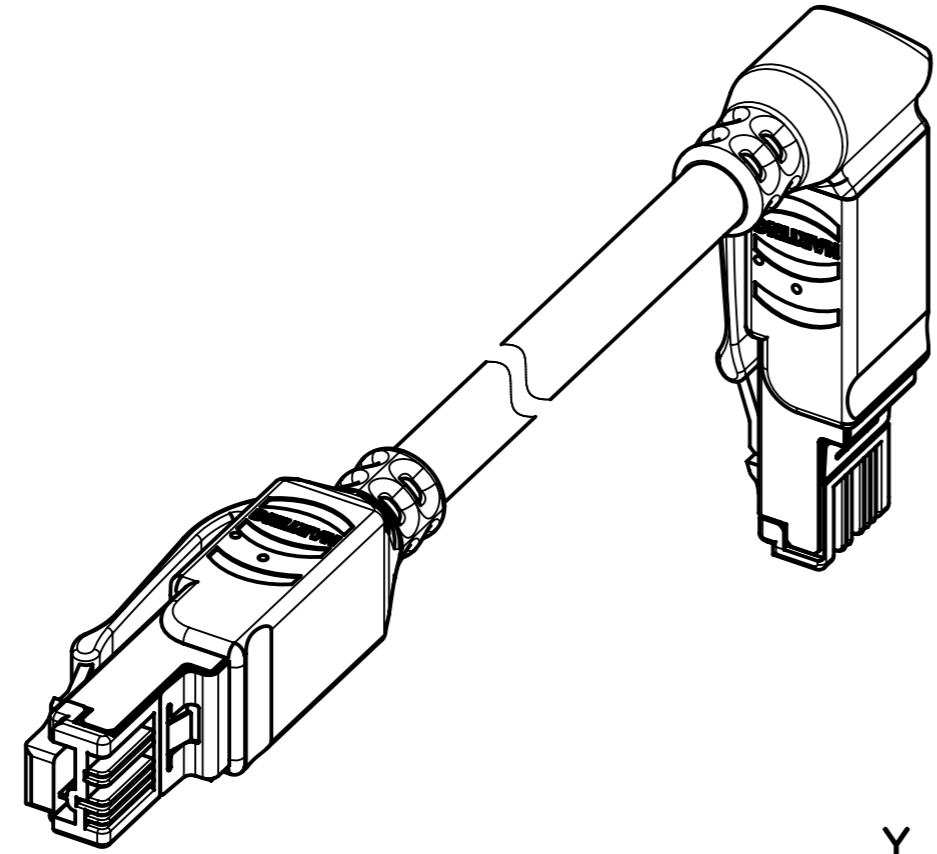
HARTING RJ Industrial RJ45, Cat. 5, 4-pole, overmolded

HARTING RJ Industrial RJ45, Cat. 5, 4-pole, angled overmolded, 180° position

Mating face RJ45 acc. to IEC 60603-7

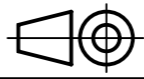

X male

Y male




- Protection level: IP20
- Temperature range: -40°C ... +70°C

All rights reserved Department HCS - RO HARTING Customised Solutions D-32339 Espelkamp		All Dimensions in mm Tech. Character. Free size tol. According to production drawing	Created by 402676 Gross Inspected by COSTEA Costea Standardisation MUNTEANV Muntean Date 2022-06-07 State Final Release	Title RJ Industrial Cable Assembly Type TB Number 09470502XXX Doc-Key / ECM-Nr. 100155365/UGD/004/J 500000218973 Rev. J Page 1/3
---	--	---	---	---

1	2	3	4	5	6	7	8
A							
46	09470502044	HAR PROFINET Typ B 4xAWG 22/7 PVC green	100	78	09470502066	HAR PROFINET Typ C 4xAWG 22/7 PUR Trail. green	100
45	09470502043		90	77	09470502065		90
44	09470502042		80	76	09470502064		80
43	09470502041		70	75	09470502063		70
42	09470502040		60	74	09470502062		60
41	09470502039		50	73	09470502061		50
40	09470502038		40	72	09470502060		40
39	09470502037		30	71	09470502059		30
38	09470502036		20	70	09470502058		20
37	09470502035		15	69	09470502057		15
36	09470502034		10	68	09470502089		13
35	09470502033		9	67	09470502090		12
34	09470502032		8	66	09470502056		10
33	09470502031		7	65	09470502055		9
32	09470502030		6	64	09470502054		8
31	09470502029		5	63	09470502053		7
30	09470502028		4	62	09470502099		6.2
29	09470502027		3	61	09470502052		6
28	09470502026		2	60	09470502051		5
27	09470502025		1.5	59	09470502050		4
26	09470502100		1.2	58	09470502049		3
25	09470502024		1	57	09470502095		2.4
24	09470502091		0.8	56	09470502094		2.2
23	09470502023		0.5	55	09470502048		2
22	09470502022		100	54	09470502093		1.8
21	09470502021		90	53	09470502092		1.6
20	09470502020		80	52	09470502047		1.5
19	09470502019	70	51	09470502098	1.45		
18	09470502018	60	50	09470502096	1.4		
17	09470502017	50	49	09470502097	1.25		
16	09470502016	40	48	09470502046	1		
15	09470502015	30	47	09470502045	0.5		
14	09470502014	20	Cont. no. Part no. Type of cable Dim. a[m]				
13	09470502013	15	 All Dimensions in mm Tech. Character. Free size tol. According to production drawing				
12	09470502012	10	 All rights reserved Created by 402676 Gross Inspected by COSTEA Costea Standardisation MUNTEANV Muntean Date 2022-06-07 State Final Release				
11	09470502011	9	Department HCS - RO Title RJ Industrial Cable Assembly Doc-Key / ECM-Nr. 100155365/UGD/004/J 500000218973				
10	09470502010	8	HARTING Customised Solutions Type TB Number 09470502XXX Rev. J Page 2/3				
9	09470502009	7	D-32339 Espelkamp				
8	09470502008	6	D-32339 Espelkamp				
7	09470502007	5	D-32339 Espelkamp				
6	09470502006	4	D-32339 Espelkamp				
5	09470502005	3	D-32339 Espelkamp				
4	09470502004	2	D-32339 Espelkamp				
3	09470502003	1.5	D-32339 Espelkamp				
2	09470502002	1	D-32339 Espelkamp				
1	09470502001	0.5	D-32339 Espelkamp				
Cont. no.	Part no.	Type of cable	Dim a[m]	Cont. no.	Part no.	Type of cable	Dim. a[m]
B							
C							
D							
E							
F							
1	2	3	4	5	6	7	8

1	2	3	4	5	6	7	8
HAR PROFINET Typ B 4xAWG 22/7 PVC outdoor black							
100	09470502088		100				
99	09470502087		90				
98	09470502086		80				
97	09470502085		70				
96	09470502084		60				
95	09470502083		50				
94	09470502082		40				
93	09470502081		30				
92	09470502080		20				
91	09470502079		15				
90	09470502078		10				
89	09470502077		9				
88	09470502076		8				
87	09470502075		7				
86	09470502074		6				
85	09470502073		5				
84	09470502072		4				
83	09470502071		3				
82	09470502070		2				
81	09470502069		1.5				
80	09470502068		1				
79	09470502067		0.5				
Cont. no.	Part no.	Type of cable	Dim a[m]				

	All rights reserved	Created by 402676 Gross	Inspected by COSTEA Costea	Standardisation MUNTEANV Muntean	Date 2022-06-07	State Final Release	
	Department HCS - RO	Title RJ Industrial Cable Assembly				Doc-Key / ECM-Nr. 100155365/UGD/004/J 500000218973	
HARTING Customised Solutions D-32339 Espelkamp		Type TB	Number 09470502XXX			Rev. J	Page 3/3