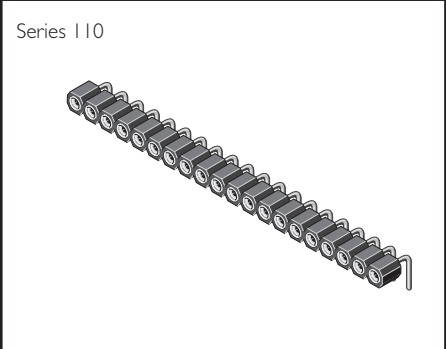


**SIL SOCKETS „THROUGH HOLE”**

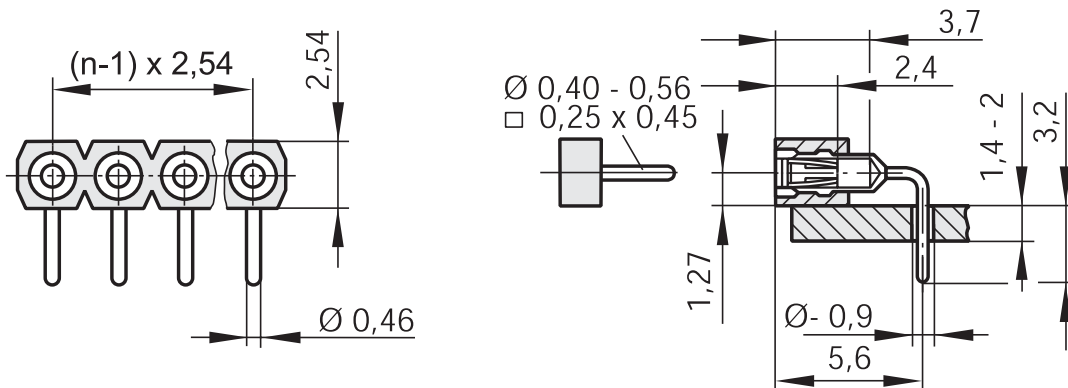
**ID: 010**

MS right angle, 1-row



**TECHNICAL DATA**

Pitch	2,54 mm
Insulating Material	high temp. thermoplast UL94V-0
Contact Material	Brass/BeCu
Rated Current	3 Amp.
Rated Voltage	100 V <sub>RMS</sub> /150 V <sub>DC</sub>
Breakdown Voltage	min. 1000 V <sub>RMS</sub>
Operating Temperature	-55°C bis +125°C
Maximum Soldering Temperature	260°C for 10 seconds



All dimensions in mm.  
Other dimensions upon request.

