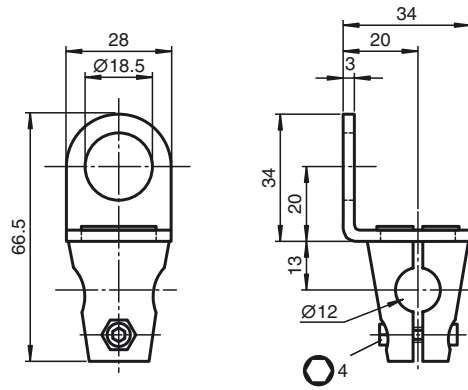




Dimensions



Model Number

MH 01-M18

Mounting brackets for sensors

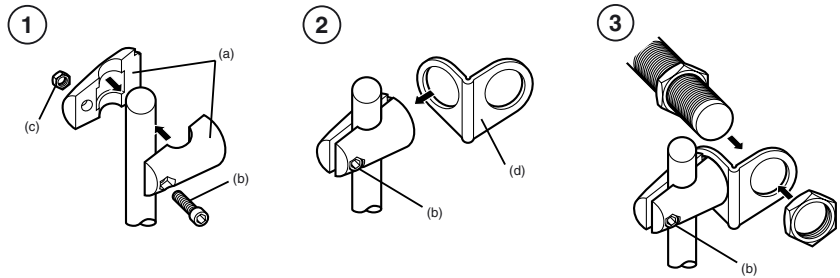
Features

- Suitable for M18 sensors
- Simple and fast mounting

Technical data

General specifications	
Inside diameter	18 mm
Mechanical specifications	
Material	Clamping cylinder: Diecast zinc Support bracket: Steel

Installation instructions



- ① Fasten the two parts of the mounting clamp (a) loosely by means of the screw (b) and the nut (c) supplied.
- ② Attach the mounting bracket (d) and then tighten the screw (b) in such a way that the bracket can still be turned.
- ③ Tighten the screw fully after the sensor has been mounted and aligned.

Release date: 2019-05-22 16:21 Date of issue: 2019-05-22 096532_eng.xml