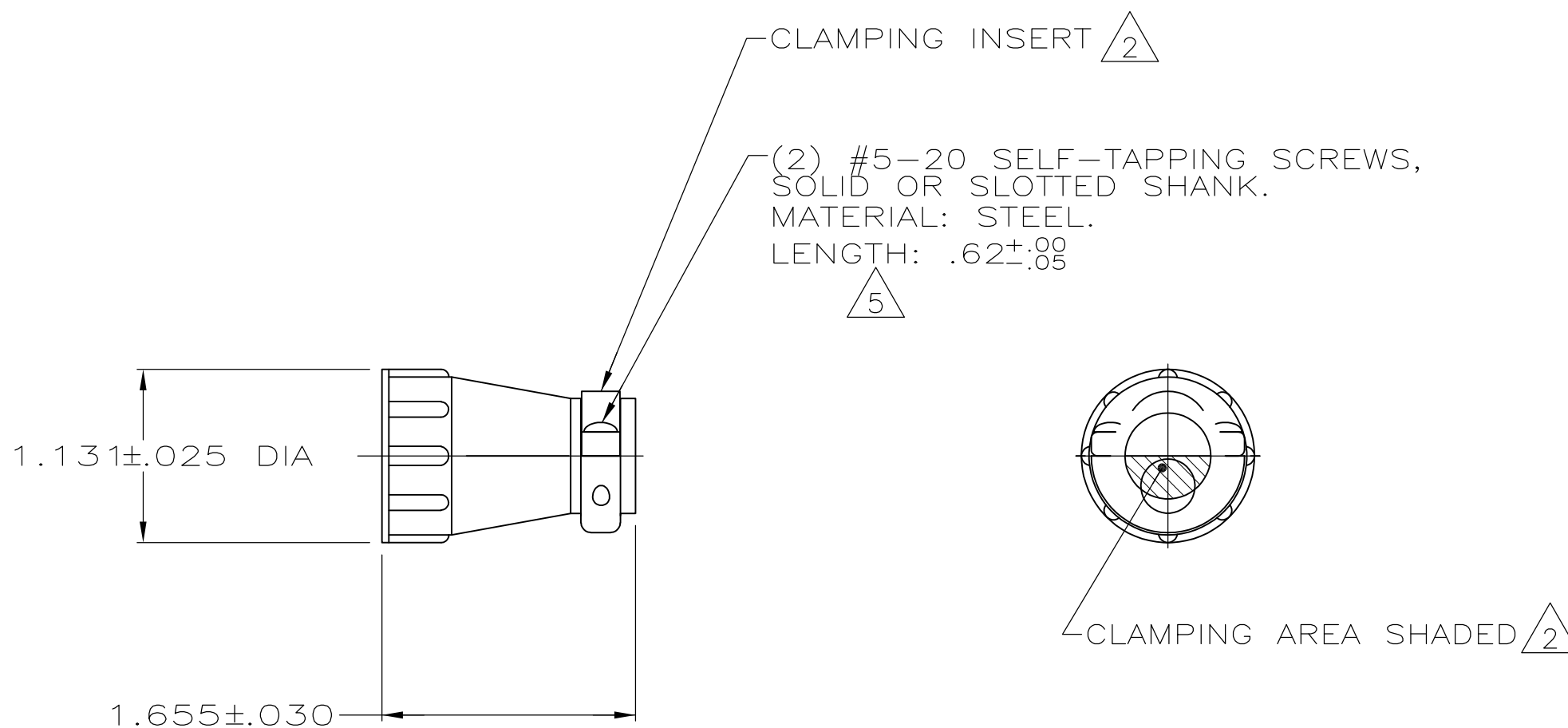


THIS DRAWING IS UNPUBLISHED. RELEASED FOR PUBLICATION
 © COPYRIGHT BY TYCO ELECTRONICS CORPORATION. ALL INTERNATIONAL RIGHTS RESERVED.

LOC	DIST	REVISIONS					
BD	0	P	LTR	DESCRIPTION	DATE	DWN	APVD
		L		REVISED PER ECO-08-029128	22NOV08	HMR	MS



- 1 PARTS PACKAGED UNASSEMBLED.
- $\triangle 2$ CABLE CLAMPING AREA ADJUSTABLE FROM .100 TO .410 SQ IN BY REVERSING CLAMPING INSERTS.
- 3 .703 MAXIMUM CABLE OUTSIDE DIAMETER.
- $\triangle 4$ BULK PACKAGED KITS TO BE ORDERED IN MULTIPLES OF 100 ONLY.
- $\triangle 5$ FINISH: ZINC NON-HEXAVALENT CHROMATE.

$\triangle 5$	$\triangle 4$	BULK	207008-6
$\triangle 5$		INDIVIDUAL	207008-5
$\triangle 5$	$\triangle 4$	BULK	207008-2
$\triangle 5$		INDIVIDUAL	207008-1
		PACKAGING	PART NUMBER

THIS DRAWING IS A CONTROLLED DOCUMENT.		DWN	4/23/91		Tyco Electronics Corporation		
		CHK	7-23-92		Harrisburg, PA 17105-3608		
		W.G.LENKER		NAME			
		-		CABLE CLAMP KIT, LARGE, SHELL SIZE 13, CPC			
DIMENSIONS: INCHES		TOLERANCES UNLESS OTHERWISE SPECIFIED:		PRODUCT SPEC			
		0 PLC $\pm -$		108-10024			
		1 PLC $\pm -$		APPLICATION SPEC			
		2 PLC $\pm -$		-			
		3 PLC $\pm -$		SIZE			
		4 PLC $\pm -$		CAGE CODE			
		ANGLES $\pm -$		DRAWING NO			
MATERIAL		FINISH		RESTRICTED TO			
THERMOPLASTIC		-		-			
CUSTOMER DRAWING				SCALE		SHEET	
				1:1		1 OF 1	
				REV		L	