

- 1
- 2
- 3
- 4
- 5
- 6
- 7
- 8
- 9
- 10
- 11
- 12
- 13
- 14
- 15
- 16
- 17
- 18

BASE

Glass-fibre reinforced polyamide based (PA) technopolymer, black colour, matte finish.

ARTICULATED STEM

Threaded AISI 304 stainless steel with adjusting square.

STANDARD EXECUTIONS

- LVQ.A-SST: without no-slip disk.
- LVQ.A-AS-SST: with NBR rubber no-slip disk, hardness 70 Shore A, supplied assembled to the base.

FEATURES

The special knurling under the lower lip of the base provides excellent stability and grip when using the levelling element without no-slip disk even on surfaces that are not perfectly flat.

The particular assembling system of the no-slip disk to the base assures a perfect anchoring, preventing separation even in case of impact during transport or of adhesion (sticking) to the floor (see No-slip disks on page 1137).

ORDER INFORMATION

The levelling elements are supplied unassembled to make carriage and storage easier. The components (base and stem) are supplied in separate packing: less volume taken and better protection from scratches and dirt.

To order bases and stems separately, see:

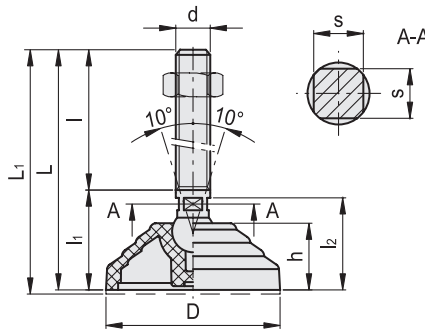
- table of possible combinations Bases/Stems (see page 1144)
- the codes of the Bases (see page 1139)
- the codes of the Stems (see page 1142).

ACCESSORIES ON REQUEST

AISI 304 stainless steel nut (see Nuts NT. on page 1137).



ELESA Original design



LVQ.A-SST

LVQ.A-AS-SST

Code	Description	Code	Description	D	d	L	L1#	l1	l2	h	s	Articulation ∅	Max. limit stati load* [N]	⚖️	⚖️	#
323901	LVQ.A-60-14-SST-M16x68	327901	LVQ.A-60-14-AS-SST-M16x68	60	M16	102	105	68	34	32.5	24	12	14	14000	128	147
323903	LVQ.A-60-14-SST-M16x108	327903	LVQ.A-60-14-AS-SST-M16x108	60	M16	142	145	108	34	32.5	24	12	14	14000	192	211
323905	LVQ.A-60-14-SST-M16x148	327905	LVQ.A-60-14-AS-SST-M16x148	60	M16	182	185	148	34	32.5	24	12	14	14000	256	275
323907	LVQ.A-60-14-SST-M16x168	327907	LVQ.A-60-14-AS-SST-M16x168	60	M16	202	205	168	34	32.5	24	12	14	14000	288	307
323911	LVQ.A-60-14-SST-M20x110	327911	LVQ.A-60-14-AS-SST-M20x110	60	M20	149	152	110	39	36.5	24	15	14	14000	292	311
323913	LVQ.A-60-14-SST-M20x150	327913	LVQ.A-60-14-AS-SST-M20x150	60	M20	189	192	150	39	36.5	24	15	14	14000	392	411
323915	LVQ.A-60-14-SST-M20x170	327915	LVQ.A-60-14-AS-SST-M20x170	60	M20	209	212	170	39	36.5	24	15	14	14000	442	461
323917	LVQ.A-60-14-SST-M20x210	327917	LVQ.A-60-14-AS-SST-M20x210	60	M20	249	252	210	39	36.5	24	15	14	14000	541	560

* The max static load is the value above which the load applied to the element may cause some plastic material breakage, in particular conditions of use. Obviously, a factor that takes into consideration the importance and the safety level of the specific application must be applied to this value.

Data with no-slip disk mounted.



LVQ.A-SST

LVQ.A-AS-SST



Code	Description	Code	Description	D	d	L	L1#	l	l1	l2	h	s	Articulation ∅	Max. limit stati load* [N]	△	△	#
324951	LVQ.A-70-14-SST-M16x68	328951	LVQ.A-70-14-AS-SST-M16x68	70	M16	97	100	68	29	27.5	19	12	14	14000	126	146	
324953	LVQ.A-70-14-SST-M16x108	328953	LVQ.A-70-14-AS-SST-M16x108	70	M16	137	140	108	29	27.5	19	12	14	14000	190	210	
324955	LVQ.A-70-14-SST-M16x148	328955	LVQ.A-70-14-AS-SST-M16x148	70	M16	177	180	148	29	27.5	19	12	14	14000	254	274	
324957	LVQ.A-70-14-SST-M16x168	328957	LVQ.A-70-14-AS-SST-M16x168	70	M16	197	200	168	29	27.5	19	12	14	14000	286	306	
324961	LVQ.A-70-14-SST-M20x110	328961	LVQ.A-70-14-AS-SST-M20x110	70	M20	144	147	110	34	31.5	19	15	14	14000	290	310	
324963	LVQ.A-70-14-SST-M20x150	328963	LVQ.A-70-14-AS-SST-M20x150	70	M20	184	187	150	34	31.5	19	15	14	14000	390	410	
324965	LVQ.A-70-14-SST-M20x170	328965	LVQ.A-70-14-AS-SST-M20x170	70	M20	204	207	170	34	31.5	19	15	14	14000	440	460	
324967	LVQ.A-70-14-SST-M20x210	328967	LVQ.A-70-14-AS-SST-M20x210	70	M20	244	247	210	34	31.5	19	15	14	14000	539	559	
324971	LVQ.A-70-14-SST-M24x110	328971	LVQ.A-70-14-AS-SST-M24x110	70	M24	144	147	110	34	31.5	19	18	14	14000	397	417	
324973	LVQ.A-70-14-SST-M24x170	328973	LVQ.A-70-14-AS-SST-M24x170	70	M24	204	207	170	34	31.5	19	18	14	14000	612	632	
324975	LVQ.A-70-14-SST-M24x210	328975	LVQ.A-70-14-AS-SST-M24x210	70	M24	244	247	210	34	31.5	19	18	14	14000	756	776	
325001	LVQ.A-80-14-SST-M16x68	329001	LVQ.A-80-14-AS-SST-M16x68	80	M16	102	105	68	34	32.5	24	12	14	16000	149	175	
325003	LVQ.A-80-14-SST-M16x108	329003	LVQ.A-80-14-AS-SST-M16x108	80	M16	142	145	108	34	32.5	24	12	14	16000	213	239	
325005	LVQ.A-80-14-SST-M16x148	329005	LVQ.A-80-14-AS-SST-M16x148	80	M16	182	185	148	34	32.5	24	12	14	16000	277	303	
325007	LVQ.A-80-14-SST-M16x168	329007	LVQ.A-80-14-AS-SST-M16x168	80	M16	202	205	168	34	32.5	24	12	14	16000	309	335	
325011	LVQ.A-80-14-SST-M20x110	329011	LVQ.A-80-14-AS-SST-M20x110	80	M20	149	152	110	39	36.5	24	15	14	16000	313	339	
325013	LVQ.A-80-14-SST-M20x150	329013	LVQ.A-80-14-AS-SST-M20x150	80	M20	189	192	150	39	36.5	24	15	14	16000	413	439	
325015	LVQ.A-80-14-SST-M20x170	329015	LVQ.A-80-14-AS-SST-M20x170	80	M20	209	212	170	39	36.5	24	15	14	16000	463	489	
325017	LVQ.A-80-14-SST-M20x210	329017	LVQ.A-80-14-AS-SST-M20x210	80	M20	249	252	210	39	36.5	24	15	14	16000	562	588	
325021	LVQ.A-80-14-SST-M24x110	329021	LVQ.A-80-14-AS-SST-M24x110	80	M24	149	152	110	39	36.5	24	18	14	16000	420	446	
325023	LVQ.A-80-14-SST-M24x170	329023	LVQ.A-80-14-AS-SST-M24x170	80	M24	209	212	170	39	36.5	24	18	14	16000	635	661	
325025	LVQ.A-80-14-SST-M24x210	329025	LVQ.A-80-14-AS-SST-M24x210	80	M24	249	252	210	39	36.5	24	18	14	16000	779	805	
325851	LVQ.A-100-14-SST-M16x68	329851	LVQ.A-100-14-AS-SST-M16x68	100	M16	102	105	68	34	32.5	24	12	14	16000	179	233	
325853	LVQ.A-100-14-SST-M16x108	329853	LVQ.A-100-14-AS-SST-M16x108	100	M16	142	145	108	34	32.5	24	12	14	16000	243	297	
325855	LVQ.A-100-14-SST-M16x148	329855	LVQ.A-100-14-AS-SST-M16x148	100	M16	182	185	148	34	32.5	24	12	14	16000	307	361	
325857	LVQ.A-100-14-SST-M16x168	329857	LVQ.A-100-14-AS-SST-M16x168	100	M16	202	205	168	34	32.5	24	12	14	16000	339	393	
325861	LVQ.A-100-14-SST-M20x110	329861	LVQ.A-100-14-AS-SST-M20x110	100	M20	149	152	110	39	36.5	24	15	14	16000	343	397	
325863	LVQ.A-100-14-SST-M20x150	329863	LVQ.A-100-14-AS-SST-M20x150	100	M20	189	192	150	39	36.5	24	15	14	16000	443	497	
325865	LVQ.A-100-14-SST-M20x170	329865	LVQ.A-100-14-AS-SST-M20x170	100	M20	209	212	170	39	36.5	24	15	14	16000	493	547	
325867	LVQ.A-100-14-SST-M20x210	329867	LVQ.A-100-14-AS-SST-M20x210	100	M20	249	252	210	39	36.5	24	15	14	16000	592	646	
325871	LVQ.A-100-14-SST-M24x110	329871	LVQ.A-100-14-AS-SST-M24x110	100	M24	149	152	110	39	36.5	24	18	14	16000	450	504	
325873	LVQ.A-100-14-SST-M24x170	329873	LVQ.A-100-14-AS-SST-M24x170	100	M24	209	212	170	39	36.5	24	18	14	16000	665	719	
325875	LVQ.A-100-14-SST-M24x210	329875	LVQ.A-100-14-AS-SST-M24x210	100	M24	249	252	210	39	36.5	24	18	14	16000	809	863	

* The max static load is the value above which the load applied to the element may cause some plastic material breakage, in particular conditions of use. Obviously, a factor that takes into consideration the importance and the safety level of the specific application must be applied to this value.

Data with no-slip disk mounted.