

T.440 | **Plugs**
Technopolymer

T.440+a | **Plugs**
with flat dipstick, technopolymer

- 1
- 2
- 3
- 4
- 5
- 6
- 7
- 8
- 9
- 10
- 11
- 12
- 13
- 14
- 15
- 16**
- 17
- 18



MATERIAL
Polyamide based (PA) technopolymer, black colour, matte finish.

PACKING RING
NBR synthetic rubber.

MAXIMUM CONTINUOUS WORKING TEMPERATURE
100°C.

SPECIAL EXECUTIONS ON REQUEST
Words, marks and graphic symbols can be tampprinted on the cap.

MATERIAL
Polyamide based (PA) technopolymer, black colour, matte finish.

PACKING RING
NBR synthetic rubber.

FLAT DIPSTICK
Flat section phosphatised steel.
On request and for sufficient quantities dipstick can be supplied in different lengths and/or complete with MAX-MIN level lines.

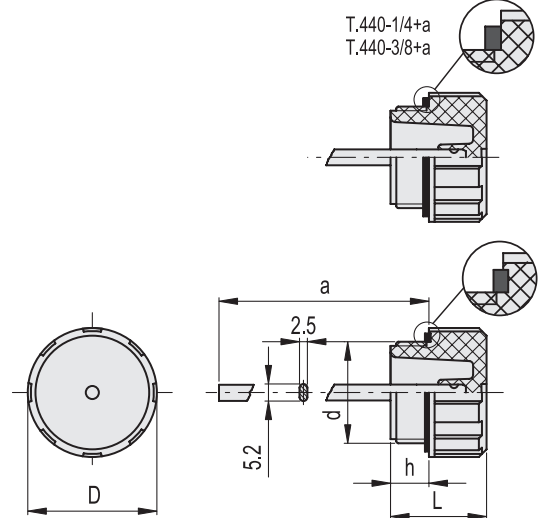
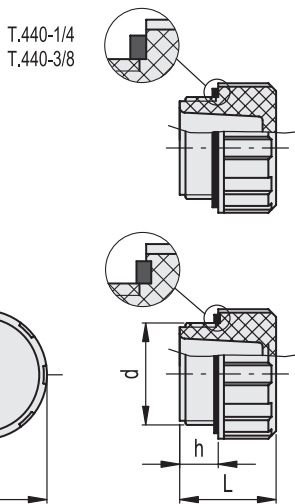
MAXIMUM CONTINUOUS WORKING TEMPERATURE
100°C.

SPECIAL EXECUTIONS ON REQUEST
Words, marks and graphic symbols can be tampprinted on the cap.



ELESA Original design

ELESA Original design



Code	Description	d	h	D	L	△△
157111	T.440-1/4	G 1/4	9	20.5	19	10
157121	T.440-3/8	G 3/8	9	25	21	12
157131	T.440-1/2	G 1/2	11	28.5	25	14
157141	T.440-3/4	G 3/4	12	34.5	27	22
157151	T.440-1	G 1	13	42.5	28.5	28
157161	T.440-1¼	G1 1/4	13	52	32	52
157171	T.440-1½	G1 1/2	13	57.5	34	63

Code	Description	d	h	D	L	a	△△
157211	T.440-1/4+a	G 1/4	9	20.5	19	192	30
157221	T.440-3/8+a	G 3/8	9	25	21	192	32
157231	T.440-1/2+a	G 1/2	11	28.5	25	189	42
157241	T.440-3/4+a	G 3/4	12	34.5	27	188	50
157251	T.440-1+a	G 1	13	42.5	28.5	188	56
157261	T.440-1¼+a	G1 1/4	13	52	32	185	72
157271	T.440-1½+a	G1 1/2	13	57.5	34	185	83

Accessories for hydraulic systems