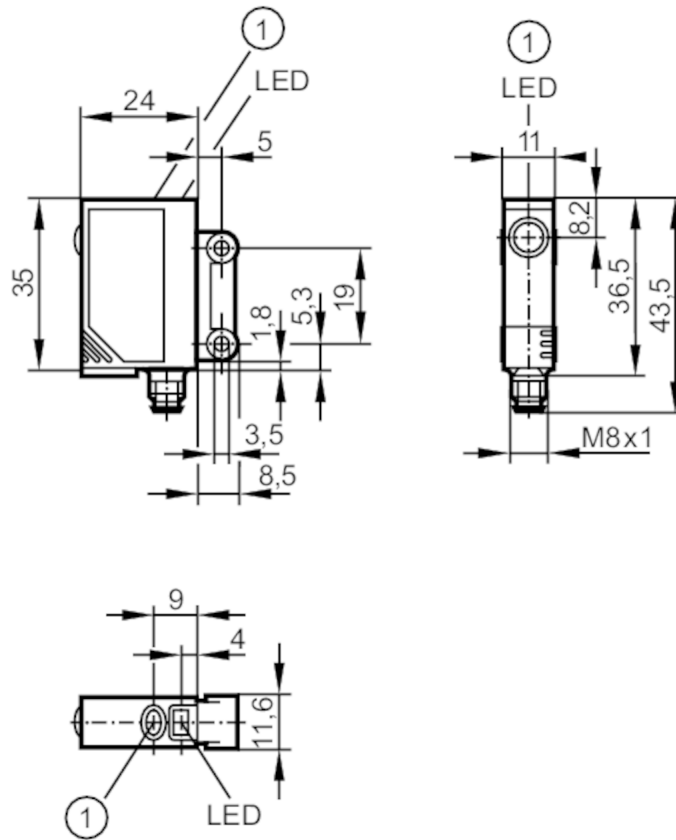




## Through-beam laser sensor transmitter

OJSLOOKG/SO/IAS



1 pushbutton



### Product characteristics

Type of light	red light
Laser protection class	1
Housing	rectangular
Dimensions [mm]	35 x 11 x 24

### Application

Function principle	Through-beam sensor
--------------------	---------------------

### Electrical data

Operating voltage [V]	10...30 DC
Current consumption [mA]	< 12
Protection class	III
Reverse polarity protection	yes
Type of light	red light
Wave length [nm]	650
Typ. lifetime [h]	50000

### Outputs

Overload protection	yes
---------------------	-----

# OJ5138



## Through-beam laser sensor transmitter

OJSLOOKG/SO/AS

Detection zone		
Transmitter / receiver	transmitter	
Range [m]	< 15	
Range adjustable	no	
Max. light spot diameter [mm]	24	
Light spot dimensions refer to	at maximum range	
Operating conditions		
Ambient temperature [°C]	-10...60	
Protection	IP 67	
Tests / approvals		
EMC	EN 60947-5-2	
Laser protection class	1	
Notes on laser protection	Caution:	laser light
	laser class:	1
		EN / IEC60825-1:2007
		EN / IEC60825-1:2014
	Complies with 21 CFR 1040 except for deviations pursuant to Laser Notice No. 50, dated June 2007.	
MTTF [years]	918	
Mechanical data		
Weight [g]	40.4	
Housing	rectangular	
Dimensions [mm]	35 x 11 x 24	
Materials	housing: ABS; fixture: diecast zinc; LED window: SEPS; pushbutton: SEPS	
Lens material	glass	
Lens alignment	side lens	
Displays / operating elements		
Display	operation 1 x LED, green	
Accessories		
Accessories (supplied)	screws: 2 x spring washers: 2 x Nuts: 2 x	
Remarks		
Remarks	operating voltage "supply class 2" according to cULus	
Pack quantity	1 pcs.	
Electrical connection		
Connector: 1 x M8		

# OJ5138



## Through-beam laser sensor transmitter

OJSLOOKG/SO/AS

### Connection

