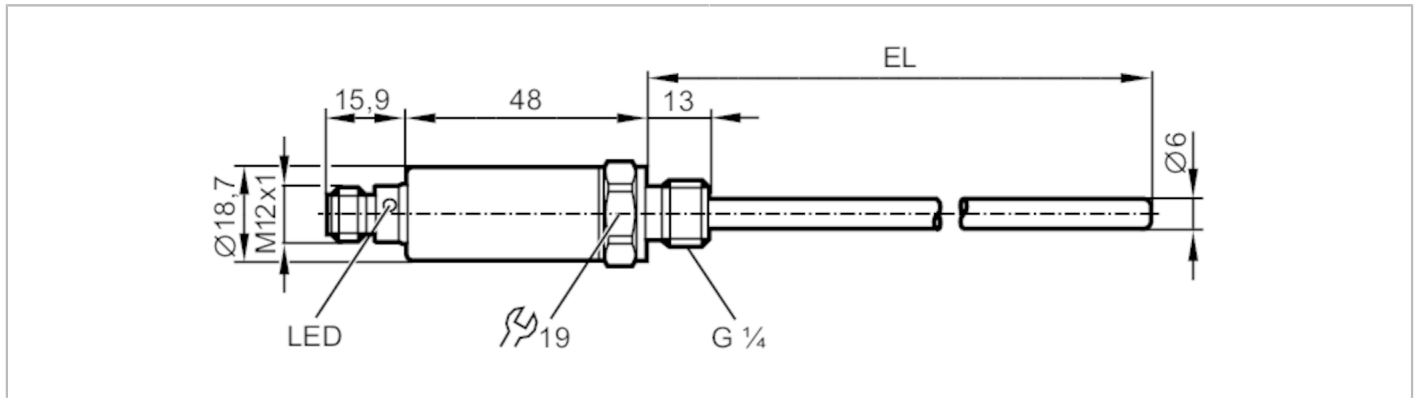


TA2145



Temperature transmitter

TA-150CLER14-A-ZVG/US



Product characteristics

Number of inputs and outputs	Number of analogue outputs: 1
Measuring range [°C]	-50...150
Process connection	threaded connection G 1/4
Installation length EL [mm]	150

Application

Special feature	Gold-plated contacts
Measuring element	1 x Pt 1000; (to DIN EN 60751, class A)
Media	liquids and gases
Pressure rating [bar]	300
Note on pressure rating	sensor When mounted in adapters the specifications of the adapter data sheet apply.

Electrical data

Operating voltage [V]	18...32 DC; ("supply class 2" to cULus)
Current consumption [mA]	< 50
Protection class	III
Reverse polarity protection	yes
Power-on delay time [s]	1

Inputs / outputs

Number of inputs and outputs	Number of analogue outputs: 1
------------------------------	-------------------------------

Outputs

Total number of outputs	1
Output signal	analogue signal; IO-Link; (configurable)
Number of analogue outputs	1
Analogue current output [mA]	4...20
Max. load [Ω]	250; ((18...19 V); 19...32 V: 300 Ω)
Short-circuit protection	yes
Overload protection	yes

Measuring/setting range

Measuring range [°C]	-50...150
Factory setting	-50...150 °C

TA2145



Temperature transmitter

TA-150CLER14-A-ZVG/US

Resolution			
Resolution of analogue output	[K]	0.04	
Accuracy / deviations			
Precision analogue output	[K]	$\pm 0,3 + (\pm 0,1 \% \text{ MS})$	
Temperature coefficient [% of the span / 10 K]		0,1; (in case of deviation from the reference condition $25 \pm 5 \text{ }^\circ\text{C}$)	
Response times			
Dynamic response T05 / T09	[s]	1 / 3	
Interfaces			
Communication interface		IO-Link	
Transmission type		COM2 (38,4 kBaud)	
IO-Link revision		1.1	
Operating conditions			
Ambient temperature	[°C]	-25...80	
Storage temperature	[°C]	-40...100	
Protection		IP 67; IP 68; IP 69K	
Tests / approvals			
EMC		DIN EN 61000-6-2	
Shock resistance		DIN IEC 68-2-27	50 g (11 ms)
Vibration resistance		DIN IEC 68-2-6	20 g (10...2000 Hz)
MTTF	[years]		572
UL approval		UL Approval no.	K002
Mechanical data			
Weight	[g]		108
Dimensions	[mm]		$\varnothing 18.7$
Materials			stainless steel (1.4404 / 316L); PEI; FKM
Materials (wetted parts)			stainless steel (1.4404 / 316L); O-ring: FKM
Process connection			threaded connection G 1/4
Probe diameter	[mm]		6
Installation length EL	[mm]		150
Displays / operating elements			
Display		operating status	1 x LED, green
Remarks			
Remarks			MS = set measuring span
Pack quantity			1 pcs.
Electrical connection			
Connector: 1 x M12; Contacts: gold-plated			

TA2145



Temperature transmitter

TA-150CLER14-A-ZVG/US



Connection

