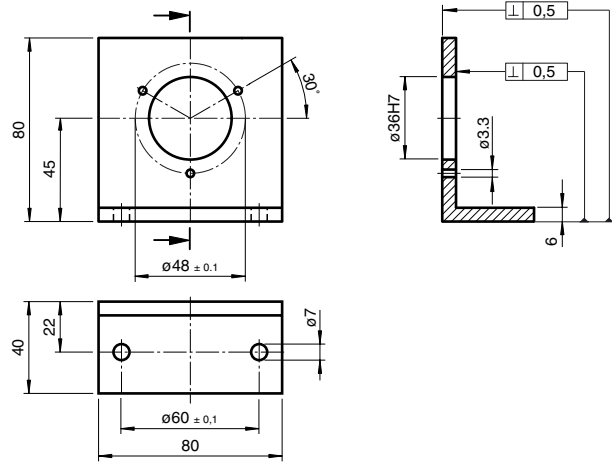


Dimensions



Technical data

Model Number

9203

Angled flange