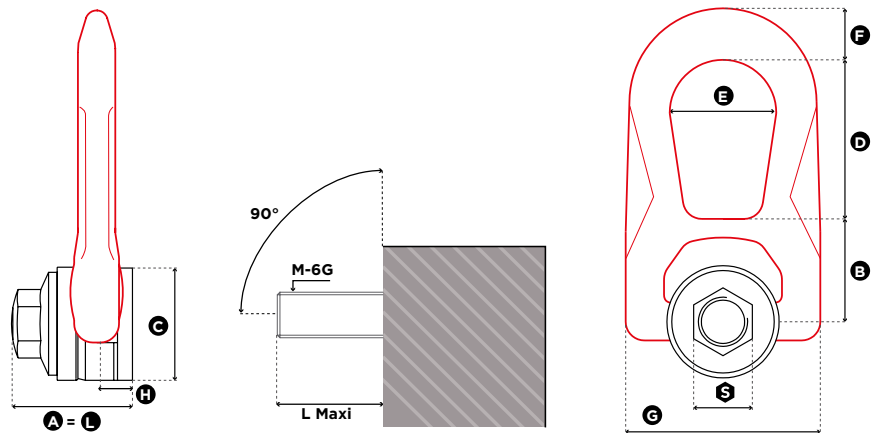


FE.DSR

FEMALE DOUBLE SWIVEL RING

GradUp



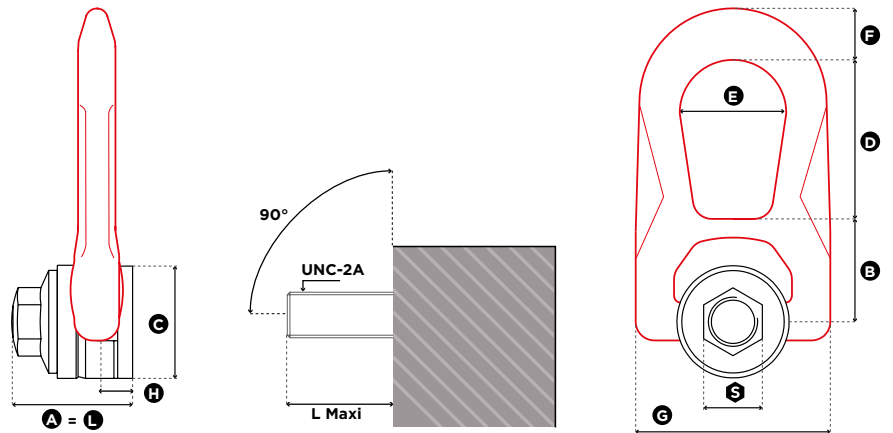
1 in = 25.4 mm

| Reference | Diameter | SF 5:1 WLL (t) | SF 4:1 WLL (t) | L Maxi (mm) | Torque (Nm) | S (mm) | A (mm) | B (mm) | C (mm) | D (mm) | E (mm) | F (mm) | G (mm) | H (mm) | Weight (kg) |
|----------------|--------------|----------------|----------------|-------------|-------------|--------|--------|--------|--------|--------|--------|--------|--------|--------|-------------|
| FE.DSR M 8 UP | M 8 (x1,25) | 0,40 | 0,50 | 45 | 6 | 20 | 45 | 40 | 45 | 53 | 38 | 17 | 76 | 13 | 0,9 |
| FE.DSR M 10 UP | M 10 (x1,5) | 0,70 | 0,90 | 45 | 10 | 20 | 45 | 40 | 45 | 53 | 38 | 17 | 76 | 13 | 0,9 |
| FE.DSR M 12 UP | M 12 (x1,75) | 1,05 | 1,30 | 45 | 15 | 20 | 45 | 40 | 45 | 53 | 38 | 17 | 76 | 13 | 0,9 |
| FE.DSR M 14 UP | M 14 (x2) | 1,40 | 1,80 | 45 | 30 | 20 | 45 | 40 | 45 | 53 | 38 | 17 | 76 | 13 | 0,9 |
| FE.DSR M 16 UP | M 16 (x2) | 2,00 | 2,30 | 45 | 50 | 20 | 45 | 40 | 45 | 53 | 38 | 17 | 76 | 13 | 0,9 |
| FE.DSR M 18 UP | M 18 (x2,5) | 2,30 | 2,30 | 62 | 70 | 24 | 62 | 55 | 60 | 83 | 55 | 25 | 115 | 19 | 2,6 |
| FE.DSR M 20 UP | M 20 (x2,5) | 2,50 | 2,50 | 62 | 100 | 24 | 62 | 55 | 60 | 83 | 55 | 25 | 115 | 19 | 2,6 |
| FE.DSR M 22 UP | M 22 (x2,5) | 3,50 | 4,50 | 62 | 120 | 24 | 62 | 55 | 60 | 83 | 55 | 25 | 115 | 19 | 2,6 |

FE.DSR

FEMALE DOUBLE SWIVEL RING

GradUp



1 in = 25.4 mm

| Reference | Diameter | SF 5:1 WLL (lbs) | SF 4:1 WLL (lbs) | L Maxi (mm) | Torque (Nm) | S (mm) | A (mm) | B (mm) | C (mm) | D (mm) | E (mm) | F (mm) | G (mm) | H (mm) | Weight (kg) |
|-----------------|--------------|------------------|------------------|-------------|-------------|--------|--------|--------|--------|--------|--------|--------|--------|--------|-------------|
| FE.DSR U 025 UP | UNC 1/4"-20 | 330 | 450 | 45 | 3 | 20 | 45 | 40 | 45 | 53 | 38 | 17 | 76 | 13 | 0,9 |
| FE.DSR U 516 UP | UNC 5/16"-18 | 1,000 | 1,200 | 45 | 5 | 20 | 45 | 40 | 45 | 53 | 38 | 17 | 76 | 13 | 0,9 |
| FE.DSR U 038 UP | UNC 3/8"-16 | 1,300 | 1,600 | 45 | 8 | 20 | 45 | 40 | 45 | 53 | 38 | 17 | 76 | 13 | 0,9 |
| FE.DSR U 050 UP | UNC 1/2"-13 | 2,400 | 2,800 | 45 | 12 | 20 | 45 | 40 | 45 | 53 | 38 | 17 | 76 | 13 | 0,9 |
| FE.DSR U 058 UP | UNC 5/8"-11 | 3,900 | 4,900 | 45 | 40 | 20 | 45 | 40 | 45 | 53 | 38 | 17 | 76 | 13 | 0,9 |
| FE.DSR U 075 UP | UNC 3/4"-10 | 5,250 | 5,250 | 62 | 80 | 24 | 62 | 55 | 60 | 83 | 55 | 25 | 115 | 19 | 2,6 |
| FE.DSR U 078 UP | UNC 7/8"-9 | 7,900 | 9,800 | 62 | 90 | 24 | 62 | 55 | 60 | 83 | 55 | 25 | 115 | 19 | 2,6 |