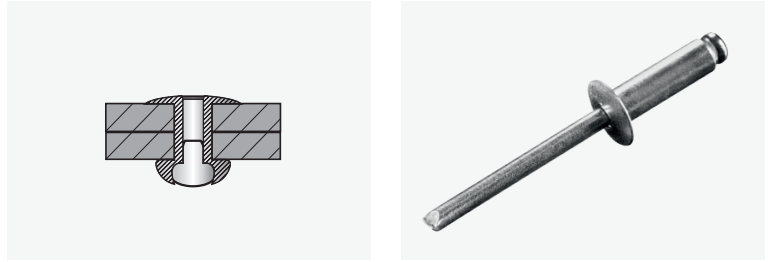


BLINDNIETE FLACHRUNDKOPF

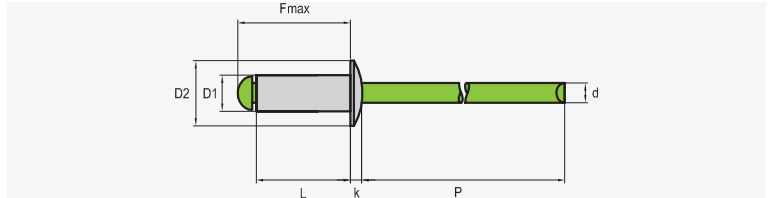
BLIND RIVETS DOMED HEAD

RIVETS AVEUGLES TÊTE PLATE






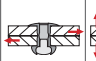
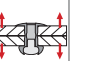


Aluminium AIMG 5,0
Aluminium AIMG 5,0
Aluminium AIMG 5,0

Edelstahl A2 [1.4301]
Stainless steel A2 [AISI 304]
Acier inox A2 [1.4301]




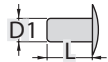
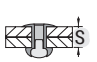
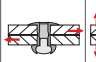
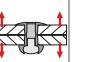


Ø 3,0 mm

D1 = 3,0 + 0,08 / - 0,1 mm
D2 = 6,5 + 0 / - 0,7 mm
k = 0,8 + / - 0,2 mm
d = 1,75 mm
P = ≥ 27,0 mm
L = + 1,0 / - 0,2 mm
 3,1 mm


	F-Max		CODE				
3,0 x 4,0 mm	8,4 mm	0,5 - 1,5 mm	70201 30400	600 N	700 N	1000	10000
3,0 x 6,0 mm	10,4 mm	1,5 - 3,5 mm	70201 30600			1000	10000
3,0 x 8,0 mm	12,4 mm	3,5 - 5,5 mm	70201 30800			1000	10000
3,0 x 10,0 mm	14,4 mm	5,5 - 7,0 mm	70201 30100			1000	10000
3,0 x 12,0 mm	16,4 mm	7,0 - 9,0 mm	70201 30120			1000	10000
3,0 x 14,0 mm	18,4 mm	9,0 - 11,0 mm	70201 30140			1000	10000
3,0 x 16,0 mm	20,4 mm	11,0 - 13,0 mm	70201 30160			1000	10000



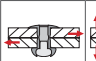
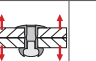


Ø 3,2 mm

D1 = 3,2 + 0,08 / - 0,1 mm
D2 = 6,5 + 0 / - 0,7 mm
k = 0,8 + / - 0,2 mm
d = 1,95 mm
P = ≥ 27,0 mm
L = + 1,0 / - 0,2 mm
 3,3 mm

	F-Max		CODE				
3,2 x 6,0 mm	10,9 mm	1,5 - 3,5 mm	70201 32600	720 N	800 N	1000	10000
3,2 x 8,0 mm	12,9 mm	3,5 - 5,0 mm	70201 32800			1000	10000
3,2 x 10,0 mm	14,9 mm	5,0 - 7,0 mm	70201 32100			1000	10000
3,2 x 12,0 mm	16,9 mm	7,0 - 9,0 mm	70201 32120			1000	10000
3,2 x 14,0 mm	18,9 mm	9,0 - 11,0 mm	70201 32140			1000	10000
3,2 x 16,0 mm	20,9 mm	11,0 - 13,0 mm	70201 32160			1000	10000
3,2 x 18,0 mm	22,9 mm	13,0 - 15,0 mm	70201 32180			500	5000
3,2 x 20,0 mm	24,9 mm	15,0 - 17,0 mm	70201 32200			500	5000

Ø 4,0 mm

D1 = 4,0 + 0,08 / - 0,15 mm
D2 = 8,0 + 0 / - 1,0 mm
k = 1,0 + / - 0,3 mm
d = 2,1 mm
P = ≥ 27,0 mm
L = + 1,0 / - 0,2 mm
 4,1 mm

	F-Max		CODE				
4,0 x 6,0 mm	10,9 mm	1,5 - 3,0 mm	70201 40600	1100 N	1400 N	1000	10000
4,0 x 8,0 mm	12,9 mm	3,0 - 5,0 mm	70201 40800			1000	10000
4,0 x 10,0 mm	14,9 mm	5,0 - 7,0 mm	70201 40100			1000	10000
4,0 x 12,0 mm	16,9 mm	7,0 - 9,0 mm	70201 40120			1000	10000
4,0 x 14,0 mm	18,9 mm	9,0 - 11,0 mm	70201 40140			500	5000
4,0 x 16,0 mm	20,9 mm	10,0 - 12,5 mm	70201 40160			500	5000
4,0 x 18,0 mm	22,9 mm	12,5 - 15,0 mm	70201 40180			500	5000
4,0 x 20,0 mm	24,9 mm	15,0 - 17,0 mm	70201 40200			500	5000
4,0 x 25,0 mm	29,9 mm	19,0 - 21,0 mm	70201 40250			500	5000