

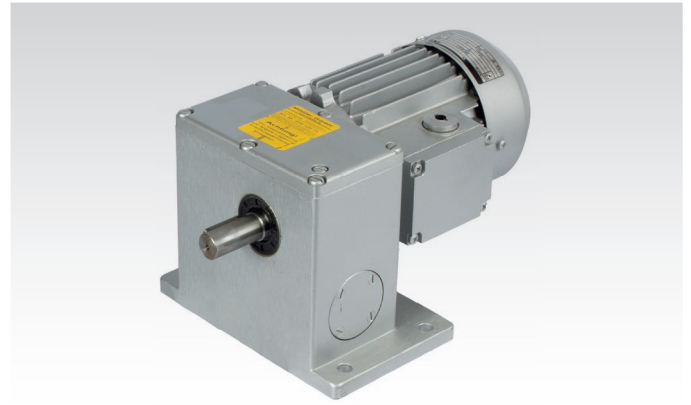
Worm Geared Motors RS with Two-Stage Worm Gears

230/400V, 50Hz, I54, isolation class F, can also be connected to alternating current using an operating capacitor.

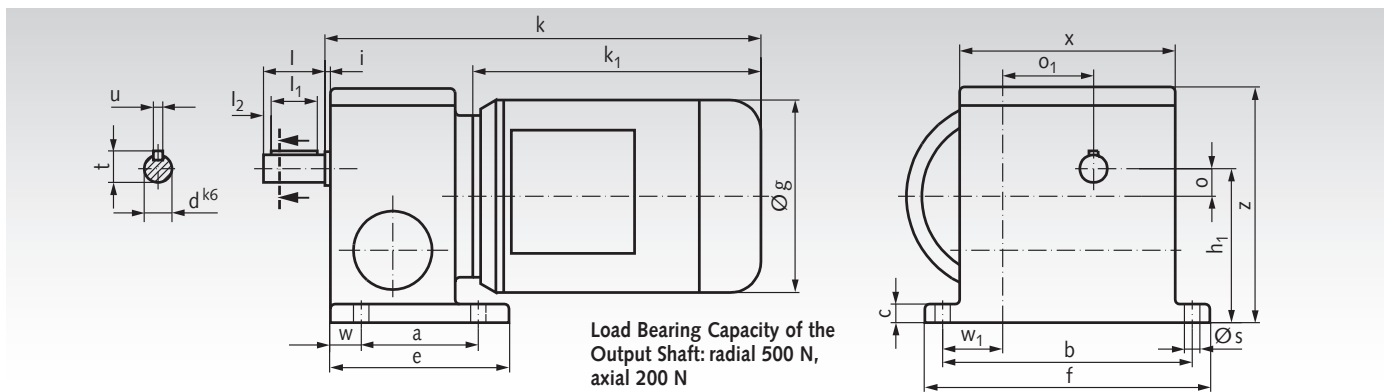
Efficiency class IE2.

General data page 945.

Motor and gearbox with roller bearing.
Worms hardened and ground.
Worm gears made from special brass.



Ordering details: Type, Voltage/Frequency, possibl. Operating Capacitor, Motor Data, Ratio, Product No.



a	b	c	e	f	h ₁	s	w	w ₁	g	k	k ₁	o	o ₁	x	z	d	i	l	l ₁	l ₂	t	u
76	162	12	116	185	100	10	20	39	125	283	187	18	59	140	153	18	3,5	40	30	5	20,5	6

Dimensions without stated tolerances are non-binding!

Motor Data 180 Watt, 1400 min⁻¹, ca. 0.75 A at 400 Volt

Product No.	Output-Speed min ⁻¹	Ratio i =	Permiss. Torque at the Output Shaft Nm	Weight kg	Product No. Operating Capacitor 20μF
434 12 070	20	70 : 1	46	9,5	436 362 00
434 12 105	13	105 : 1	58	9,5	436 362 00
434 12 150	9,3	150 : 1	73	9,5	436 362 00
434 12 225	6,2	225 : 1	90*	9,5	436 362 00
434 12 276	5,1	276 : 1	81*	9,5	436 362 00
434 12 360	3,9	360 : 1	93*	9,5	436 362 00
434 12 450	3,1	450 : 1	93*	9,5	436 362 00
434 12 570	2,5	570 : 1	81*	9,5	436 362 00
434 12 750	1,9	750 : 1	93*	9,5	436 362 00
434 12 986	1,3	1050 : 1	113*	9,5	436 362 00
434 12 994	0,9	1520 : 1	81*	9,5	436 362 00
434 12 998	0,6	2500 : 1	72*	9,5	436 362 00

* Stability related max. torque.

Motor Data 250 Watt, 2800 min⁻¹, ca. 0.75 A at 400 Volt

Product No.	Output-Speed min ⁻¹	Ratio i =	Permiss. Torque at the Output Shaft Nm	Weight kg	Product No. Operating Capacitor 25μF
434 13 070	40	70 : 1	34	9,6	436 363 00
434 13 105	27	105 : 1	45	9,6	436 363 00
434 13 150	19	150 : 1	57	9,6	436 363 00
434 13 225	12	225 : 1	83	9,6	436 363 00
434 13 276	10	276 : 1	81*	9,6	436 363 00
434 13 360	7,8	360 : 1	93*	9,6	436 363 00
434 13 450	6,2	450 : 1	93*	9,6	436 363 00
434 13 570	4,9	570 : 1	81*	9,6	436 363 00
434 13 750	3,7	750 : 1	93*	9,6	436 363 00
434 13 986	2,7	1050 : 1	113*	9,6	436 363 00
434 13 994	1,8	1520 : 1	81*	9,6	436 363 00
434 13 998	1,1	2500 : 1	72*	9,6	436 363 00

* Stability related max. torque.