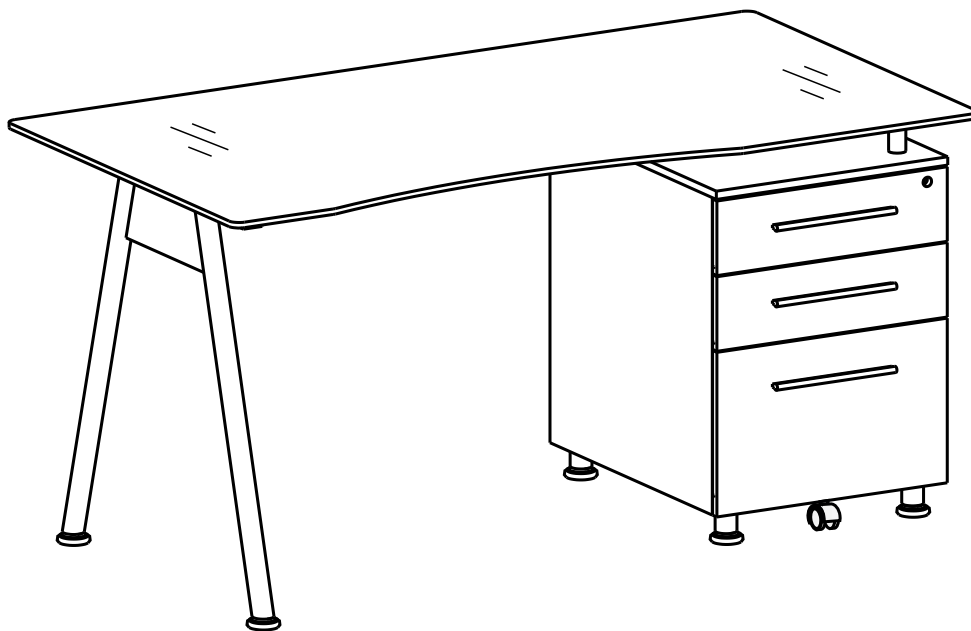


English

COMPUTER TABLE

ASSEMBLY INSTRUCTION

Thanks for purchasing one of our products, please read carefully the assembly instructions before the installation (Attention: Do not tighten the screws before all screws are in place).



MODEL MBJ-01B

General Care:

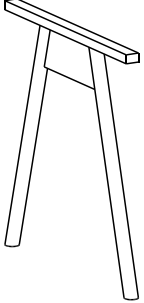
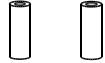
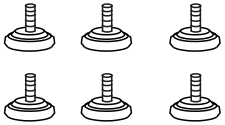
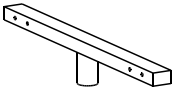
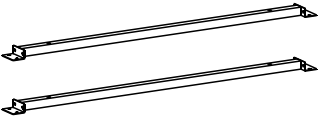
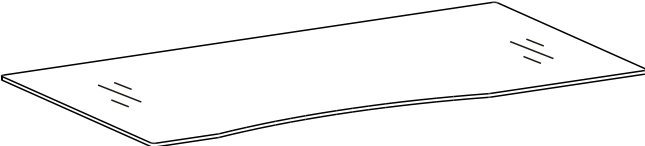
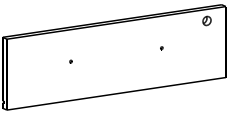
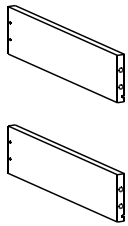
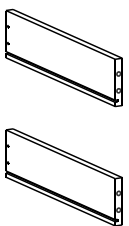
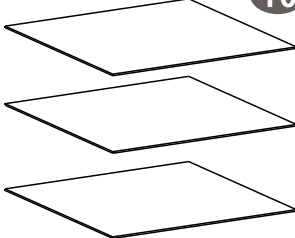
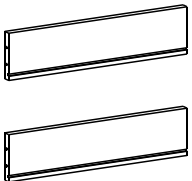
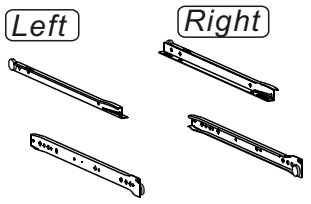
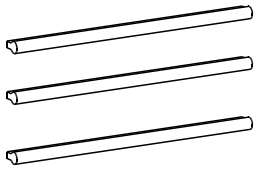
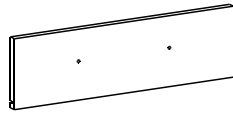
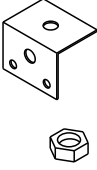
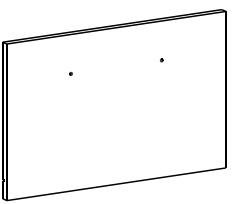
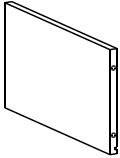
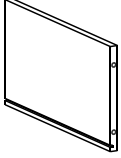
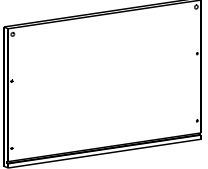
-Keep your furniture out direct sunlight-Use desk pads and coasters to protect the surface from dents,scratches,and moisture from hot or cold liquids.

Cleaning:

-For cleaning, wipe the surface with a damp (not wet) cloth or wipe dry with a clean lint free cotton cloth.
-Window cleaning liquid or a similar cleaning liquid can be used to clean glass surface.

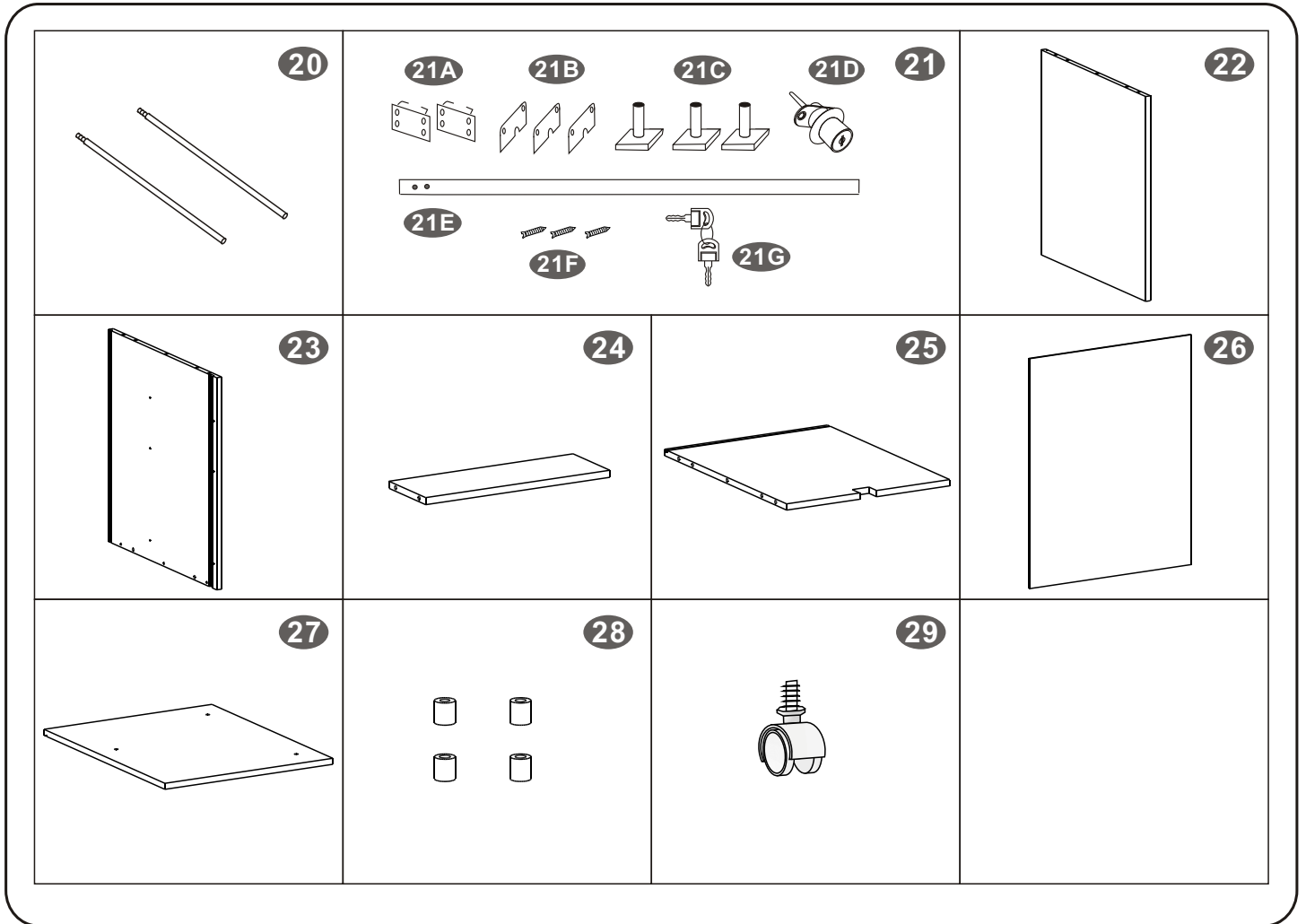


▀PARTS LIST

 <p>1</p>	 <p>2</p>	 <p>3</p>	 <p>4</p>
 <p>5</p>	 <p>6</p>		 <p>7</p>
 <p>8</p>	 <p>9</p>	 <p>10</p>	 <p>11</p>
 <p>Left</p> <p>Right</p> <p>3SETS</p> <p>12</p>	 <p>13</p>	 <p>14</p>	 <p>15</p>
 <p>16</p>	 <p>17</p>	 <p>18</p>	 <p>19</p>



▪PARTS LIST

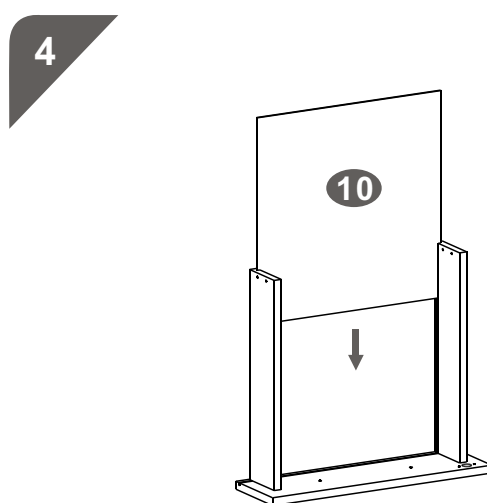
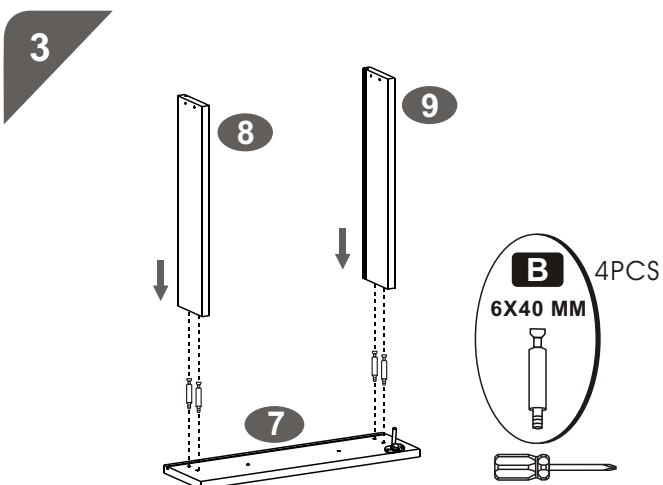
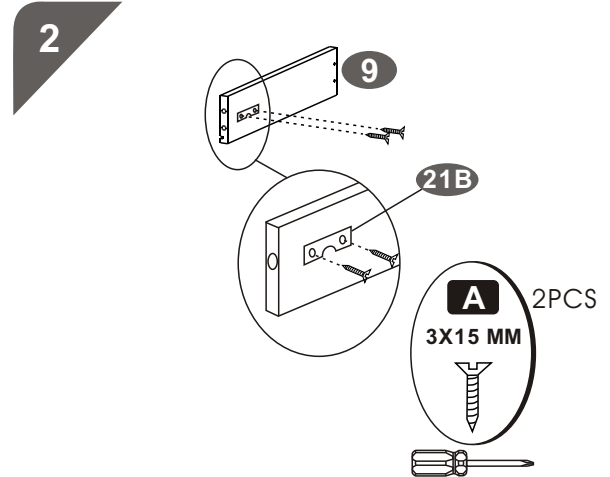
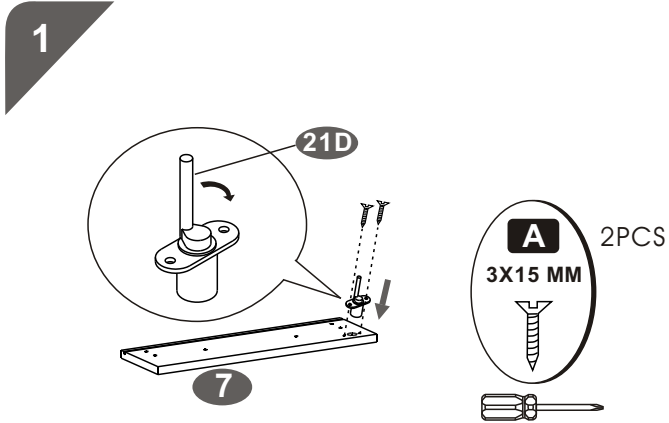
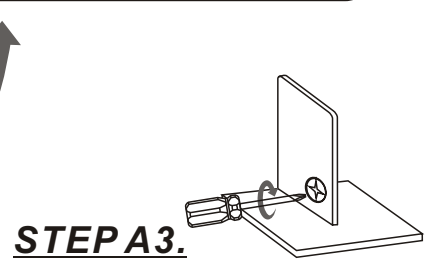
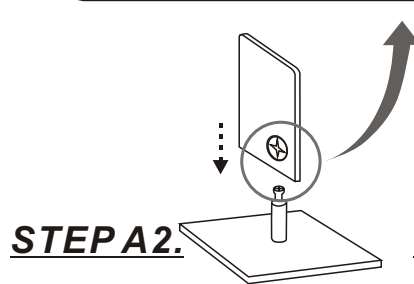
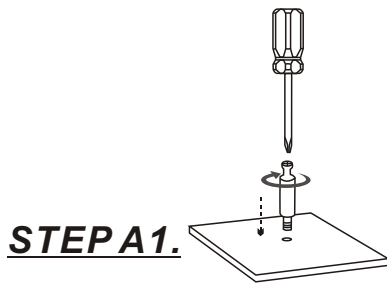
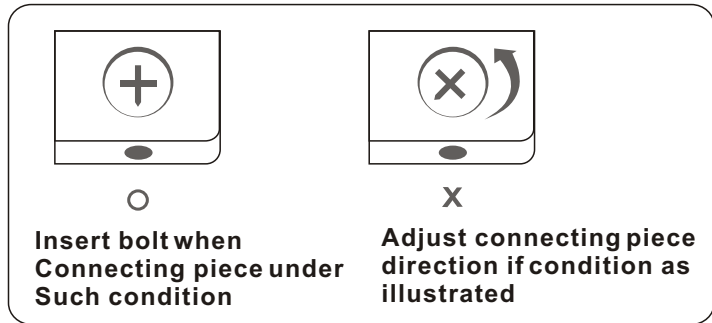
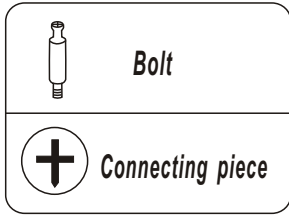


▪SCREWS LIST

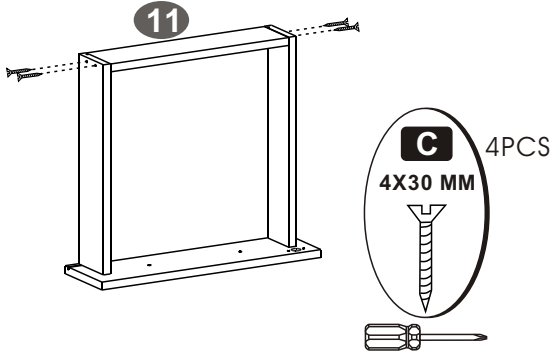
PART	QTY.	ITEM	
A	40	3X15 MM	
B	28	6X40 MM	
C	12	4X30 MM	
D	6	4X20 MM	
E	2	4X14 MM	
F	17	6X12MM	

PART	QTY.	ITEM	
G	4	8X30MM	
H	2	6X25 MM	
I	3	6X35 MM	
J	4	6X30 MM	
K	3		
	1		

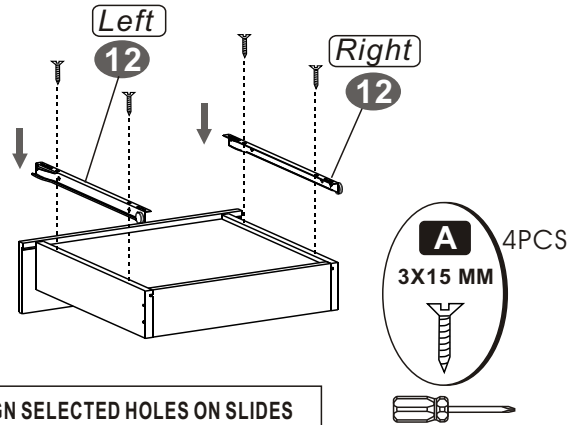
6x40mm bolt installation as below:



5

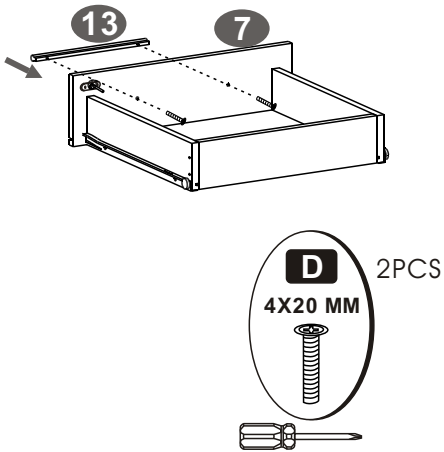


6

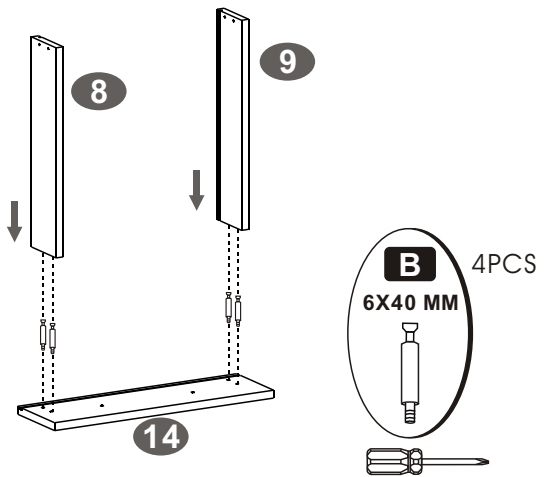


ALIGN SELECTED HOLES ON SLIDES AS ILLUSTRATED WITH PRE-DRILLED HOLES ON DRAWER BOX BEFORE INSERT SCREWS

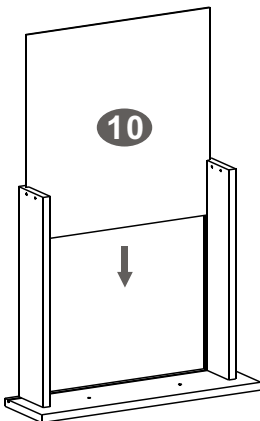
7



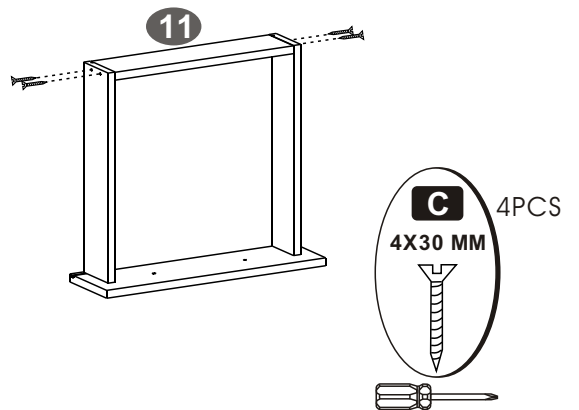
8



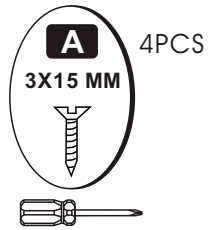
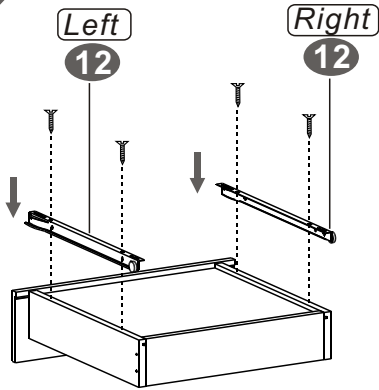
9



10

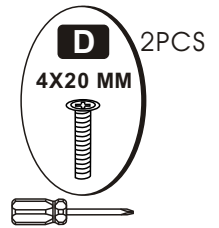
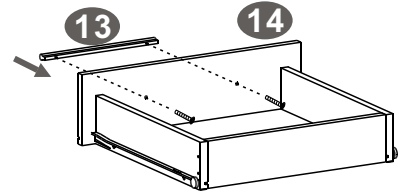


11

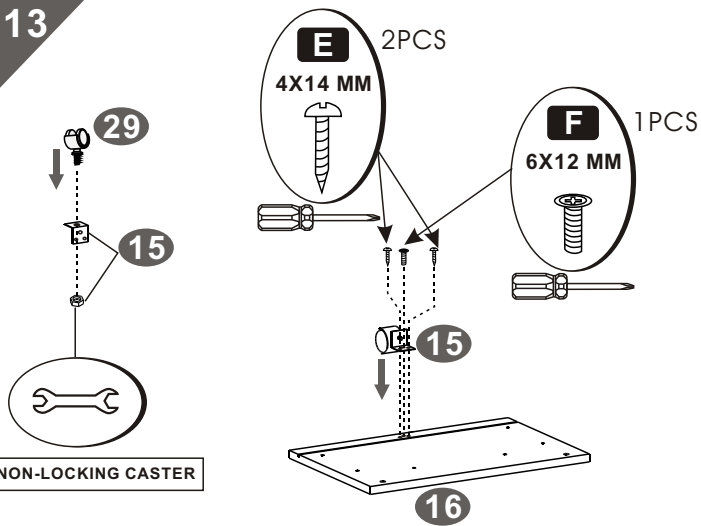


ALIGN SELECTED HOLES ON SLIDES AS ILLUSTRATED WITH PRE-DRILLED HOLES ON DRAWER BOX BEFORE INSERT SCREWS

12

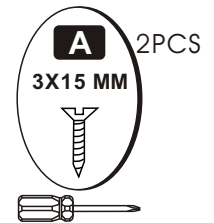
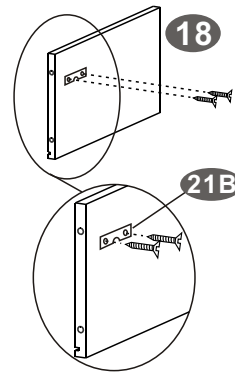


13

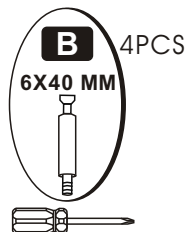
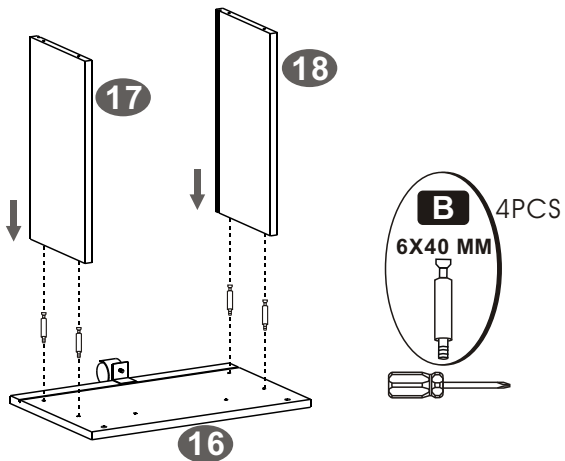


NON-LOCKING CASTER

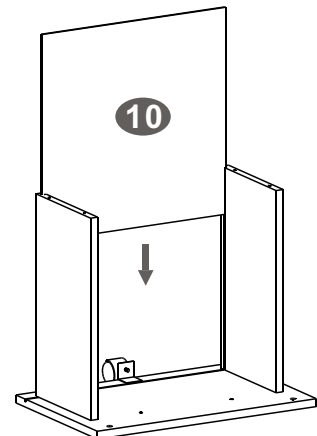
14



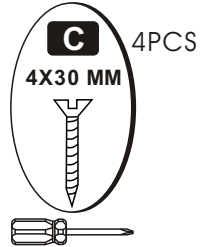
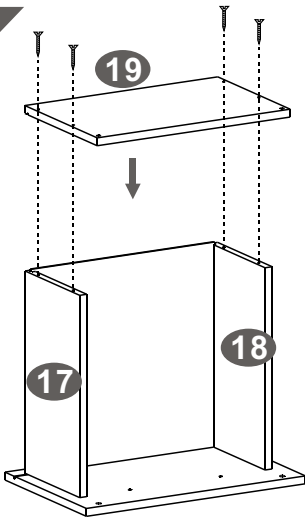
15



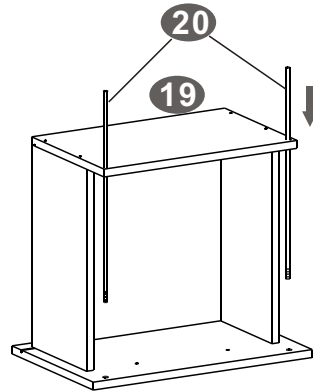
16



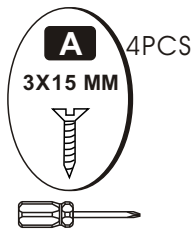
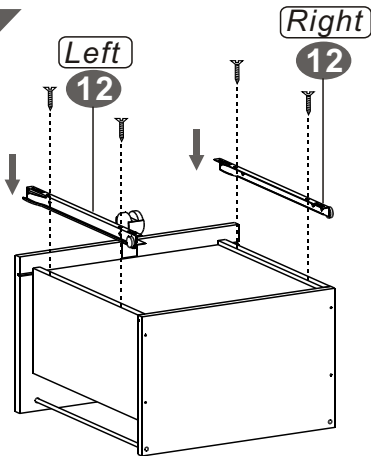
17



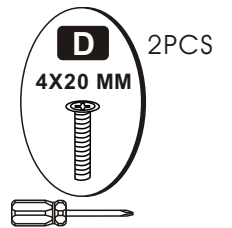
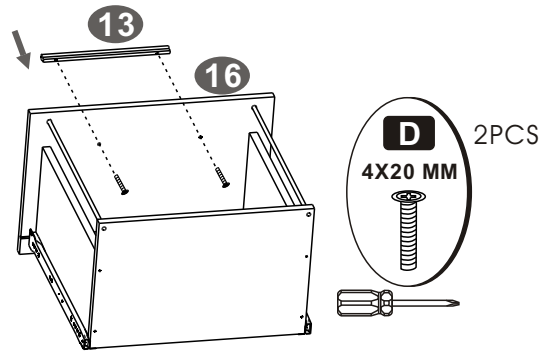
18



19

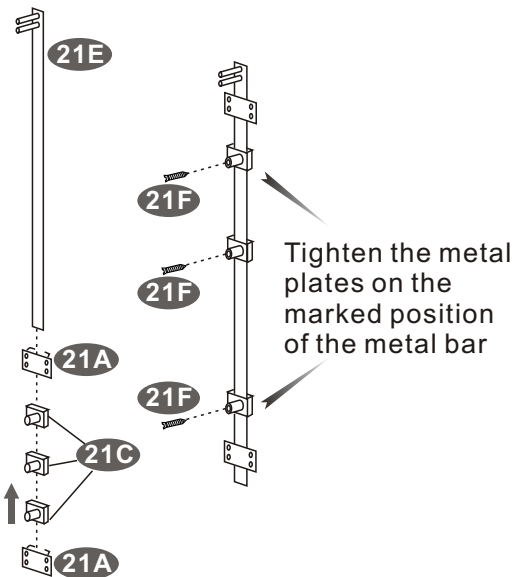


20

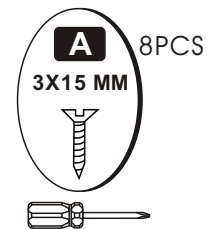
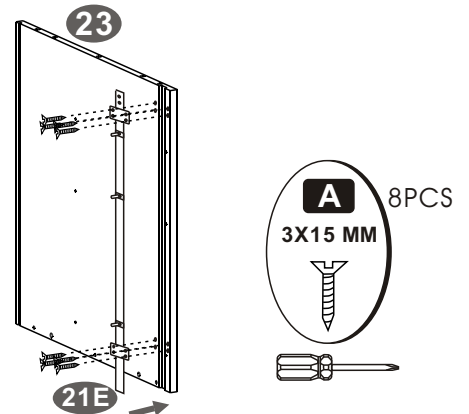


ALIGN SELECTED HOLES ON SLIDES AS ILLUSTRATED WITH PRE-DRILLED HOLES ON DRAWER BOX BEFORE INSERT SCREWS

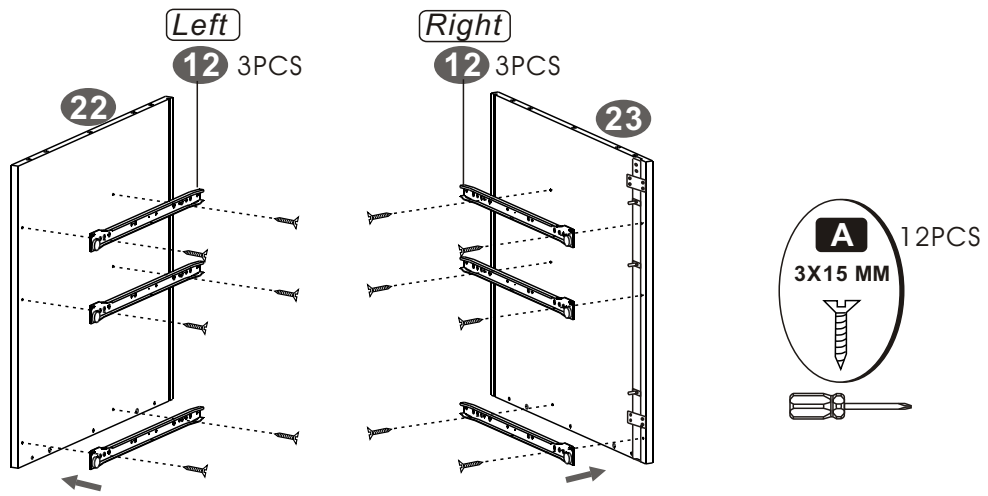
21



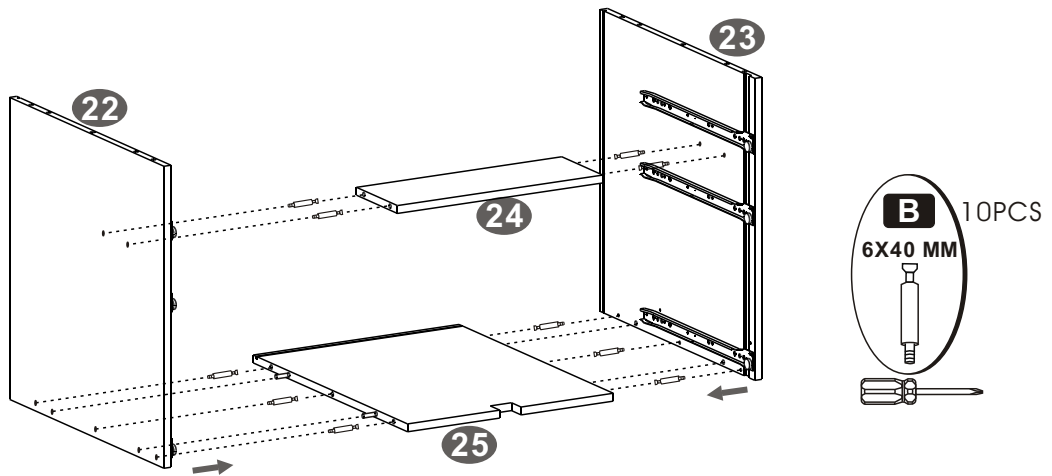
22



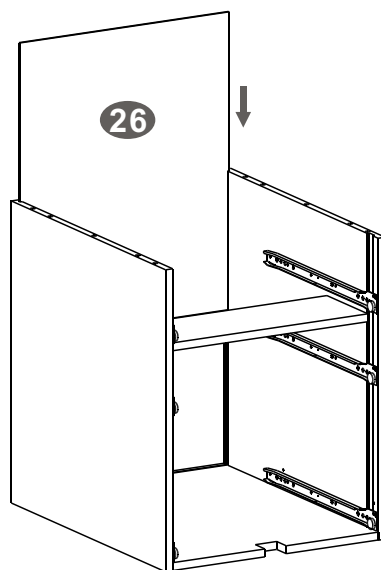
23



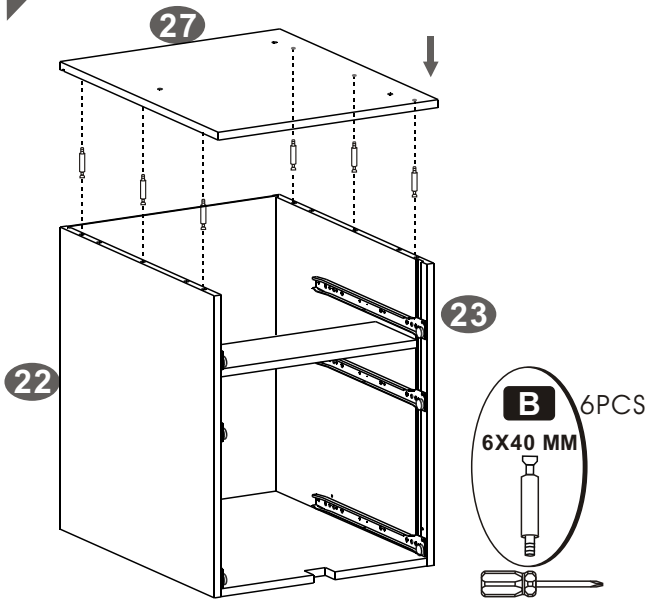
24



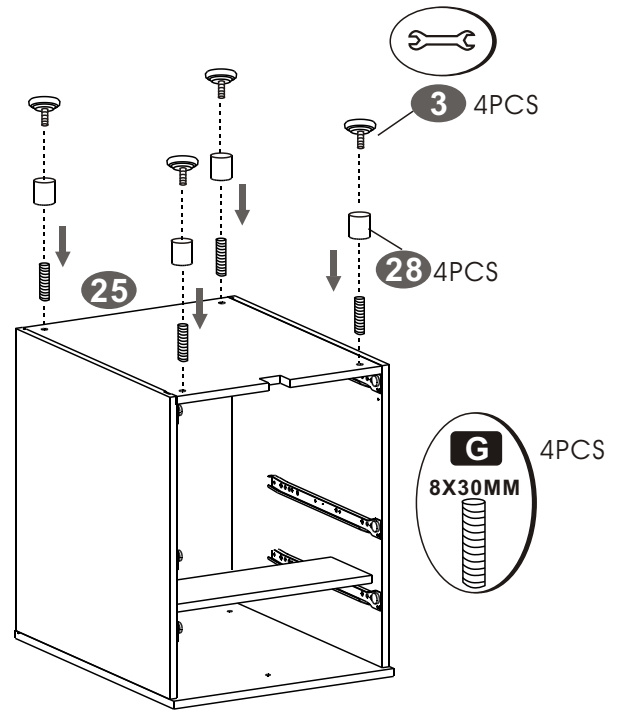
25



26

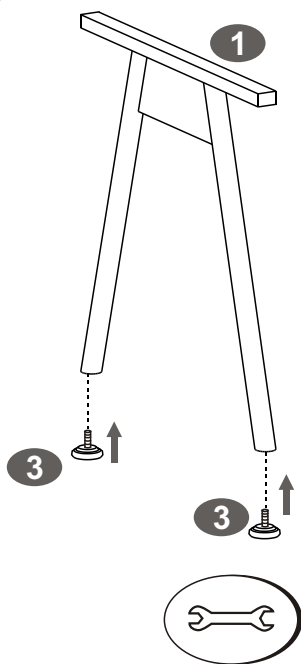


27

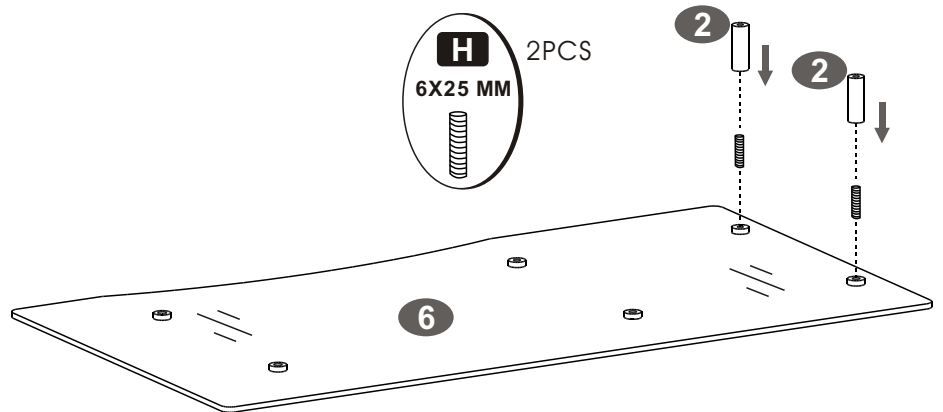


Turn cabinet bottom up to install legs

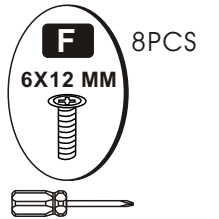
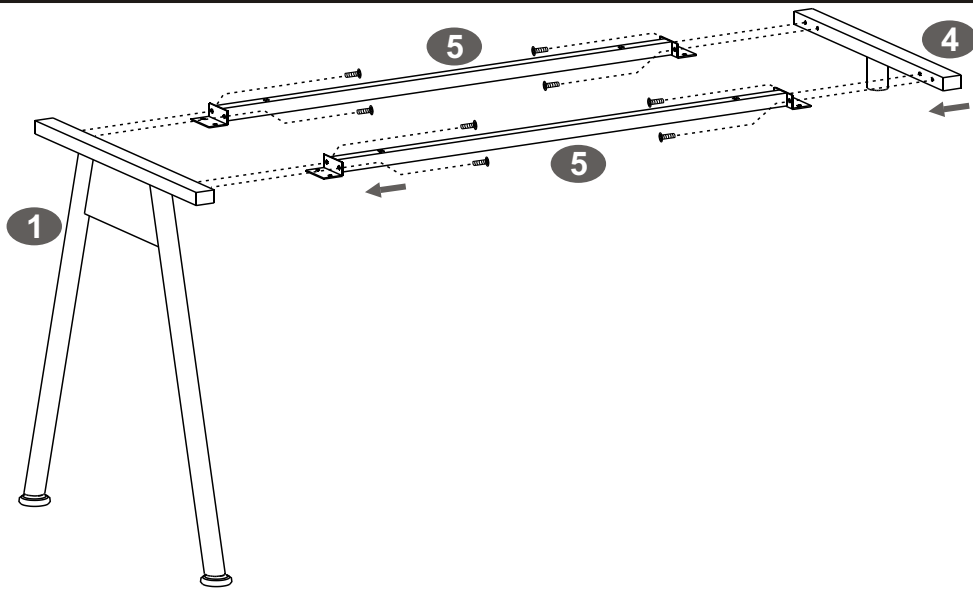
28



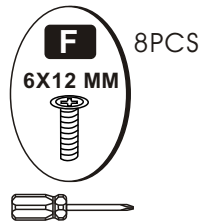
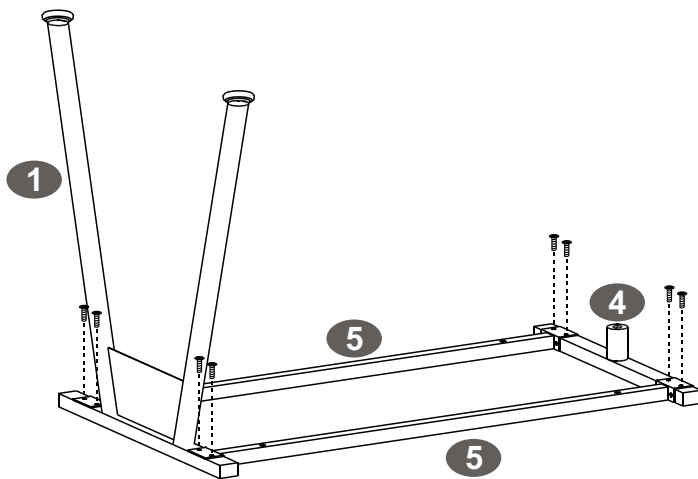
29



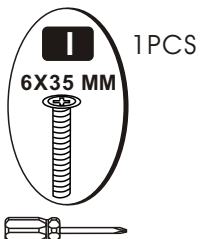
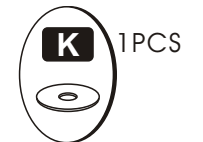
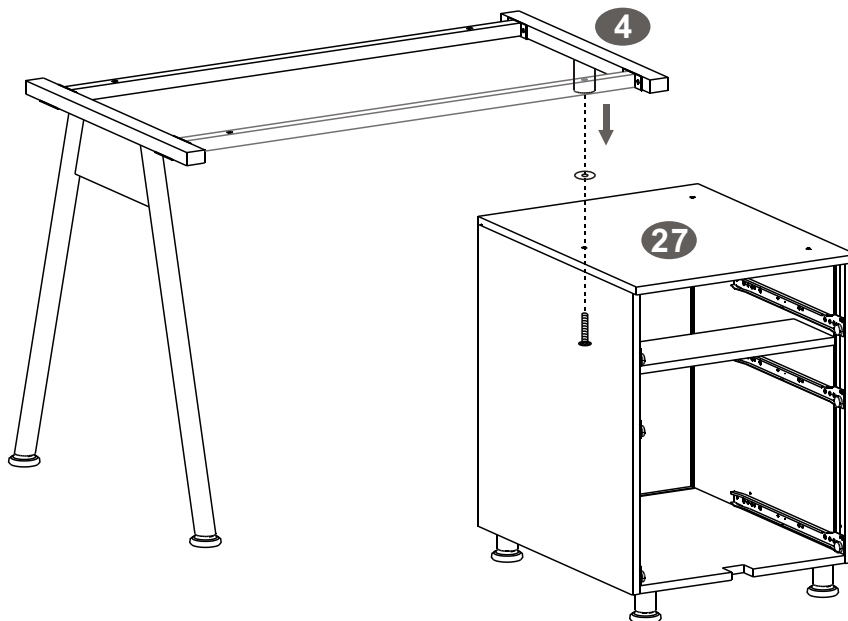
30



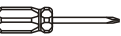
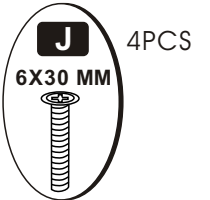
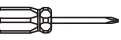
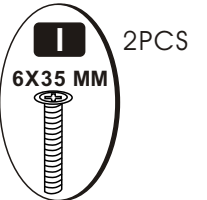
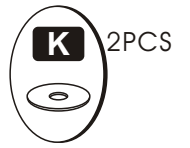
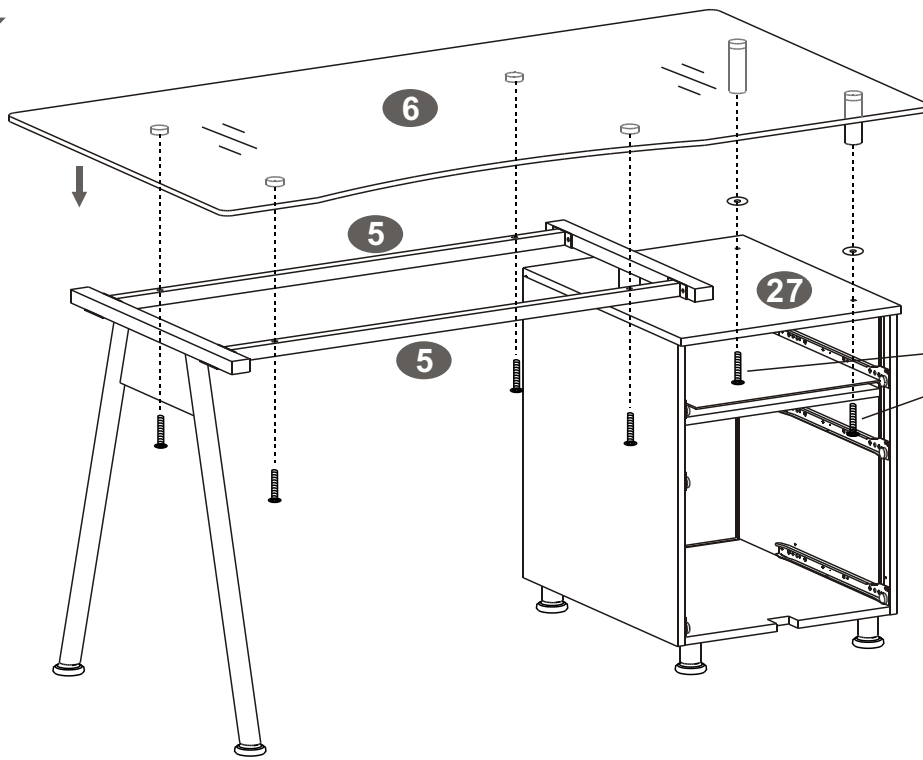
31



32



33



34

