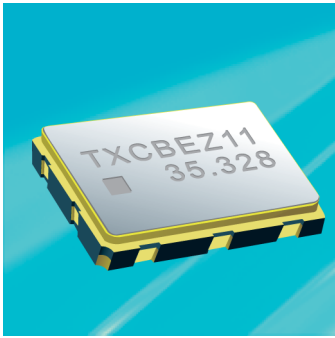


7 x 5 mm SMD CMOS VCXO 6U SERIES



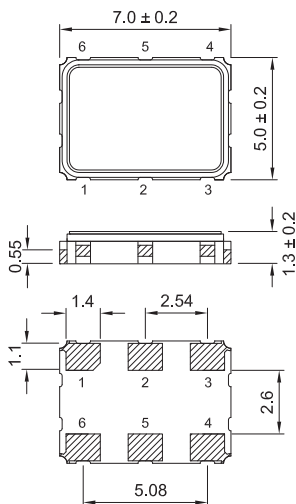
Features

- > Voltage Controlled Crystal Oscillator (VCXO).
- > Fundamental solution.
- > CMOS output, output frequencies 1 MHz to 59 MHz.
- > Wide pull range and good linearity.
- > Excellent low phase noise and jitter.
- > Tri-State function available.
- > Supply Voltage Range : 3.3 V , 5 V.
- > Main applications : ADSL, Set-top Box, and BS.
- > RoHS Compliant / Pb Free.

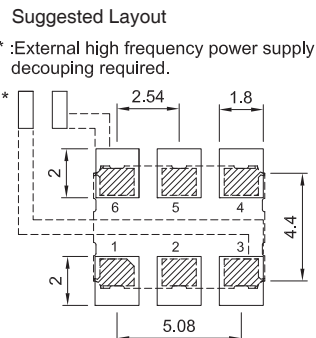
Electrical Specifications

Item / Type	6U
Output Type	CMOS
Output Load	15 pF
Oscillation Mode	Fundamental
Supply Voltage	3.3 V , 5 V
Frequency Range	1 ~ 59 MHz
Frequency Stability	± 50 ppm
Operating Temperature Range	- 40 ~ + 85 °C
Storage Temperature Range	- 55 ~ + 125 °C
Voltage Vol (Max.) / Voh (Min.)	0.1 VDD / 0.9 VDD
Rise (Tr) / Fall (Tf) Time	5 ns Max.
Supply Current	45 mA Max.
Symmetry	40 ~ 60 % , 45 ~ 55 %
Start-up Time	10 ms Max.
Frequency Pulling Range	± 100 ppm Min. or specify
Nominal Control Voltage	0.5 VDD
Control Voltage Range	0.1 VDD / 0.9 VDD
Linearity	± 10 % Max.
Phase Jitter (12 KHz ~ 20 MHz)	1 ps Max.
Aging (at 25 °C)	± 3 ppm / year Max.

Dimensions



PAD FUNCTION:
 1:CONTROL VOLTAGE
 2:ENABLE CONTROL
 3:GND
 4:OUT
 5:NC
 6:VDD



Units:mm

Remark : Specification subject to change without prior notice. Please confirm with our sales.