

# 28F0121-0SR-10



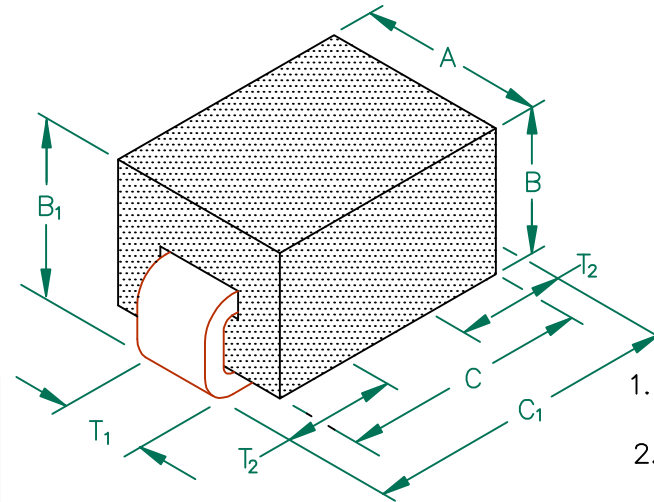
**UNCONTROLLED DOCUMENT**

PHYSICAL DIMENSIONS:

A	3.05 [.120]	+ 0.08 [.003]
B	2.54 [.100]	+ 0.08 [.003]
B <sub>1</sub>	3.05 [.120]	+ MAX
C	4.06 [.160]	+ 0.15 [.006]
C <sub>1</sub>	5.08 [.200]	+ MAX

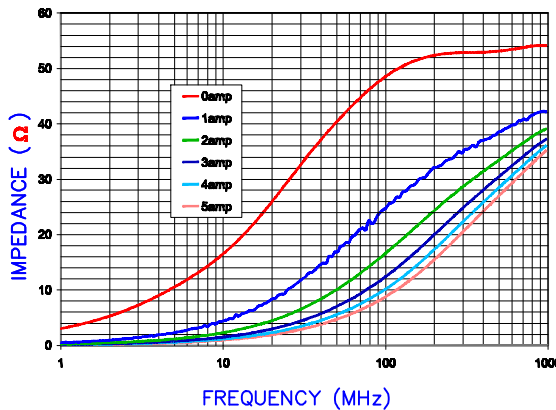
WIRE DIMENSIONS:

T <sub>1</sub>	1.27 [.050]	+ 0.05 [.002]
T <sub>2</sub>	1.52 [.060]	+ 0.51 [.020]

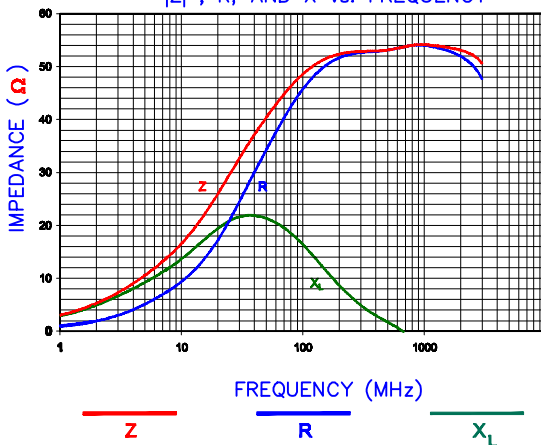


ELECTRICAL CHARACTERISTICS:		
Z @ 100MHz (Ω)	DCR (Ω)	Rated Current
Nominal	48	
Minimum	36	
Maximum	60	10,000 mA

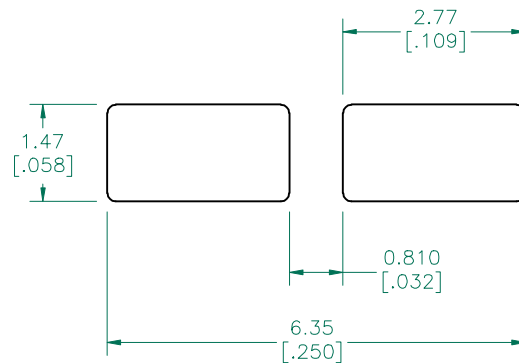
Z vs. FREQUENCY  
IMPEDANCE UNDER DC BIAS



|Z|, R, AND X vs. FREQUENCY



LAND PATTERNS FOR REFLOW SOLDERING

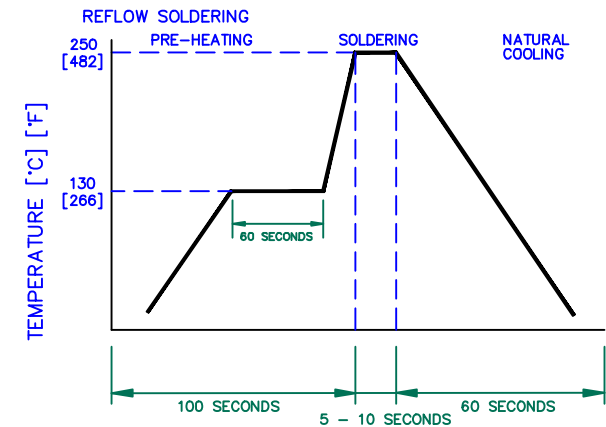


(For wave soldering, add 0.762 [.030] to this dimension.)

NOTES: UNLESS OTHERWISE SPECIFIED

1. TAPED AND REELED per CURRENT EIA SPECIFICATIONS 13" REELS, 2500 PCS/REEL.
2. COMPONENTS SHOULD BE ADEQUATELY PREHEATED BEFORE SOLDERING.
3. REF. CARRIER TAPE SPECIFICATION # CART121-03.

RECOMMENDED SOLDERING CONDITIONS



DIMENSIONS ARE IN mm (INCHES).

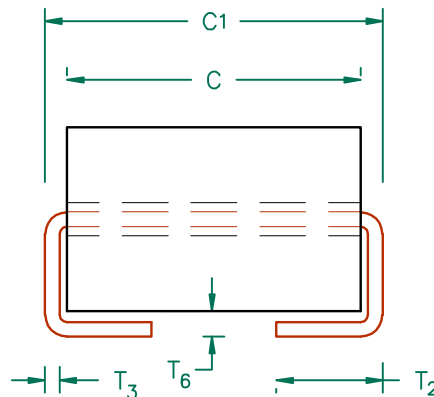
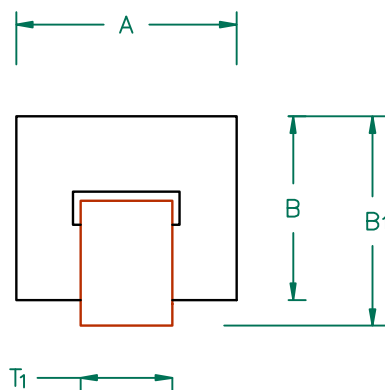
H	UPDATE COMPANY LOGO	10/24/08	JRK
G	CORRECT TYPO ERROR IN ELECT TABLE	11/26/07	JRK
F	UPDATE LANDPATTERN ADD ROHS SYMBOL	08/09/07	JRK
E	UPDATE COMPANY LOGO	04/19/07	JRK
D	CHANGE RATED CURRENT FROM 5000mA	02/17/04	JRK
C	ADD DC BIAS CURVE UPDATE ZRX CURVE & DCR VALUE	08/29/03	JRK
B	UPDATE REFLOW SOLDERING TEMPERATURE UPDATE NOTE # 5 ON SHT3	03/14/03	JRK
REV	DESCRIPTION	DATE	INT




This print is the property of Laird Tech. and is loaned in confidence subject to return upon request and with the understanding that no copies shall be made without the written consent of Laird Tech. All rights to design or invention are reserved.



PROJECT/PART NUMBER:	REV	PART TYPE:	DRAWN BY:
28F0121-0SR-10	H	ASSEMBLY	JRK
DATE: 11/13/02	SCALE: NTS	SHEET:	
CAD #	TOOL #		2 of 3

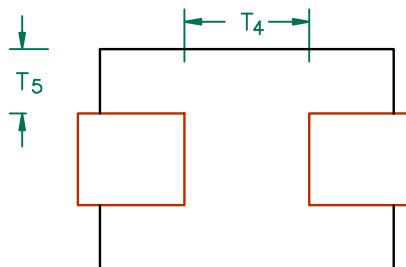




SCALE DRAWING 1:1  
   
  
 28F0121-OSR-10

**ELECTRICAL TESTING**

TEST:	Z	Z
# TURNS	1	1
AWG	22	22
FREQUENCY	25 MHz	100 MHz
NOMINAL	33 Ω	48 Ω
MINIMUM	- Ω	36 Ω
MAXIMUM	- Ω	60 Ω
WEIGHT/K	0.32 #	



**UNCONTROLLED DOCUMENT**

**NOTES:**


1. WIRE: FLAT, OXYGEN FREE COPPER 1.27 X 0.20 [.050 X .008] PLATED 100% TIN OVER NICKEL. TIN THICKNESS: 0.005 [.0002], NICKEL THICKNESS: 0.0002 [.00008].
2. IMPEDANCE VALUES ARE GROSS, MEASURED USING WS50X8-\* WIRE w/ NO D.C. BIAS.
3. REFERENCE STEWARD WIRE PURCHASE SPEC. WS50X8-\*
4. \*ON = PARYLENE COATED (.00025" TH).
5. REFERENCE STEWARD CORE P/N 28H0121-00N.

**DIMENSIONS:**

A	3.05 [.120]	+	0.08 [.003]
B	2.54 [.100]	+	0.08 [.003]
B <sub>1</sub>	3.05 [.120]	+	MAX
C	4.06 [.160]	+	0.15 [.006]
C <sub>1</sub>	5.08 [.200]	+	MAX

**WIRE DIMENSIONS:**

T <sub>1</sub>	1.27 [.050]	+	REF.
T <sub>2</sub>	1.52 [.060]	+	0.51 [.020]
T <sub>3</sub>	0.20 [.008]	+	REF.
T <sub>4</sub>	1.52 [.060]	+	TYP.
T <sub>5</sub>	0.89 [.035]	+	0.25 [.010]
T <sub>6</sub>	0.43 [.017]	+	MAX

DIMENSIONS ARE IN mm (INCHES).				This print is the property of Laird Tech. and is loaned in confidence subject to return upon request and with the understanding that no copies shall be made without the written consent of Laird Tech. All rights to design or invention are reserved.				
REV	DESCRIPTION	DATE	INT					
H	UPDATE COMPANY LOGO	10/24/08	JRK	PROJECT/PART NUMBER: <b>28F0121-OSR-10</b> DATE: 11/13/02 CAD # 28F0121-OSR-10-3-H		REV	PART TYPE:	DRAWN BY:
G	CORRECT TYPO ERROR IN ELECT TABLE	11/26/07	JRK			H	ASSEMBLY	JRK
F	UPDATE LANDPATTERN ADD ROHS SYMBOL	08/09/07	JRK			SCALE:	NTS	SHEET:
E	UPDATE COMPANY LOGO	04/19/07	JRK			TOOL #	-	3 of 3
D	CHANGE RATED CURRENT FROM 5000mA	02/17/04	JRK					
C	ADD DC BIAS CURVE UPDATE ZRX CURVE & DCR VALUE	08/29/03	JRK					
B	UPDATE REFLOW SOLDERING TEMPERATURE UPDATE NOTE # 5 ON SHT3	03/14/03	JRK					
REV	DESCRIPTION	DATE	INT					