

Product / Process Change Notification (PCN)

- Major change
 Minor change

PCN #: PCN_WPME-FDSM_20220520_3

Affected Series: FDSM; 173010342, 173010542

PCN Date: February 21, 2022

Effective Date: May 20, 2022

Change Category:

- Equipment / Location
 General Data
 Material
 Process
 Product Design
 Shipping / Packaging
 Supplier
 Software

Contact: Product Management

Phone: +49 (0) 7942 - 945 5001

Fax: +49 (0) 7942 - 945 5179

E-Mail: pcn.eisos@we-online.com

Data Sheet Change:

- Yes No

Attachment:

- Yes No

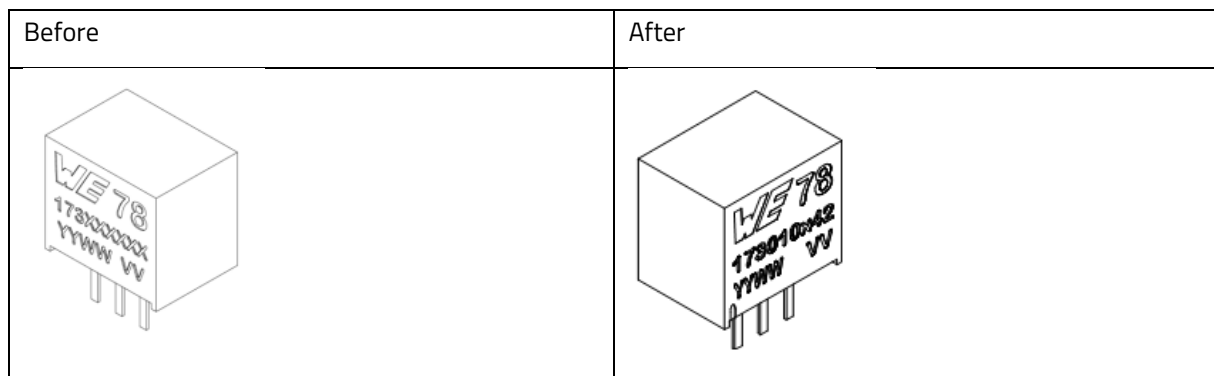
Description and purpose of change:

For the purpose of a datasheet information enlargement, Würth Elektronik has updated the internal content of the datasheet.

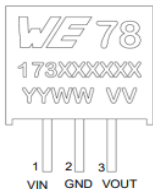
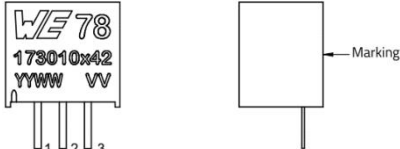
This is a datasheet correction only. There will be no change in form, fit, function, quality or reliability of the product.

Detail of Change:

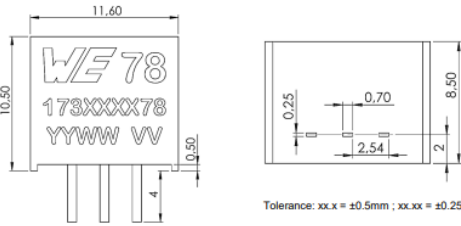
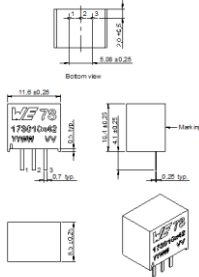
- Updated front page drawing. (page 1)



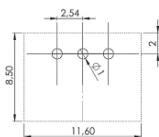
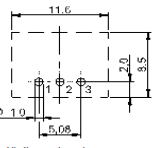
2. Updated pinout drawing to include pin 1 marking. (page 2)

Before	After
<p>PACKAGE</p> 	<p>PINOUT (PACKAGE TYPE F)</p>  <p>Type F package (pins are located at the front)</p>

3. Updated physical dimensions drawings to include pin 1 marking. (page 22)

Before	After
<p>PHYSICAL DIMENSIONS</p>  <p>Tolerance: xx.x = ±0.5mm ; xx.xx = ±0.25mm</p>	<p>PHYSICAL DIMENSIONS</p>  <p>All dimensions in mm Tolerances ±0.1mm unless otherwise indicated</p>

4. Updated recommended drill holes. (page 22)

Before	After
<p>RECOMMENDED DRILL HOLES</p> 	<p>RECOMMENDED DRILL HOLES</p>  <p>All dimensions in mm</p>

Reliability / Qualification Summary:

There will be no change of the product, therefore no additional reliability or qualification testing will be performed.