

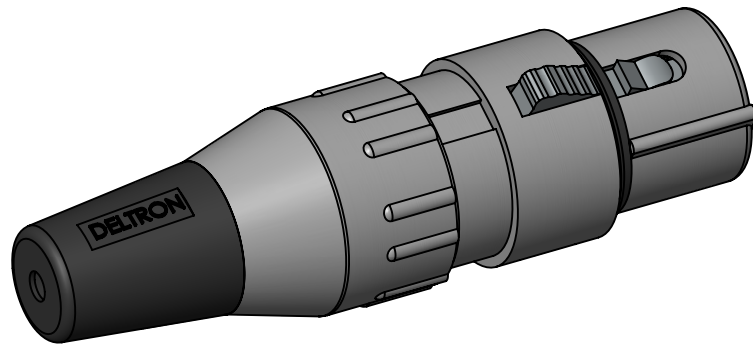
A RANGE OF AUDIO AND VIDEO CONNECTORS INCORPORATING MANY INNOVATIVE FEATURES. ASSEMBLY AND DISASSEMBLY IS ACHIEVED BY A FEW QUICK TURNS OF THE BACK SHELL.

-A SINGLE PIECE LATCH WHICH IS SIMPLE TO OPERATE, MATING SMOOTHLY WITH BOTH LATCHING AND NON-LATCHING CONNECTORS.

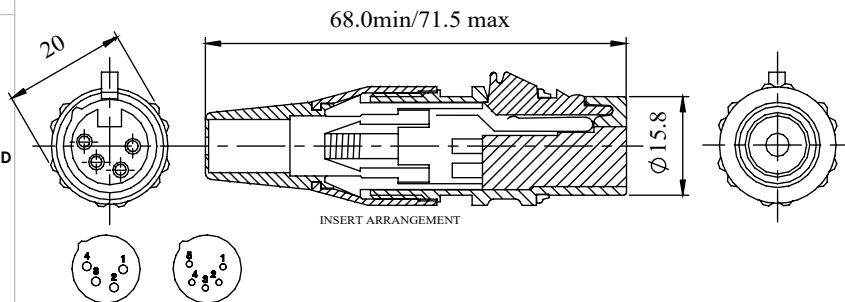
-THE STRAIN RELIEF COLLET ENSURES A POSITIVE CABLE GRIP.

-GENEROUS SOLDER BUCKETS ENABLE EASIER CABLE ASSEMBLY AS WELL AS CATERING FOR LARGER CONDUCTIVE SIZES.

-INTERNAL DESIGN FEATURE ALLOWS FOR A QUICK AND SIMPLE INSERT ASSEMBLY.



DIMENSIONS



MATERIALS	
HOUSING	MAZAK
	SATIN NICKEL OR BLACK PLATE
PIN BASE	VALOX
CONTACT PINS	BRASS
	SILVER OR GOLD PLATE
LATCH	MAZAK
	BRIGHT NICKEL PLATE
STRAIN RELIEF	PVC
SEALING RING	SANTAPRENE (UL94 HB)
CHUCK	ACETAL (UL 94 HB)
EARTH	SPRING STEEL
	SILVER PLATE
ELECTRICAL	
RATED VOLTAGE	50 V a.c
TEST VOLTAGE	1000 V r.m.s.
INSULATION RESISTANCE	103 MΩ
AFTER DAMP HEAT	500 MΩ
CONTACT RESISTANCE	10 mΩ MAX
CURRENT RATING @ 40°C	4 PIN - 10 amp
	5 PIN - 7.5 amp
CURRENT RATING @ 70°C	4 PIN - 5 amp
	5 PIN - 3 amp
TERMINAL WIRE SIZE	4 PIN 1.5mm ² / 16 AWG
	5 PIN 1.0mm ² / 18 AWG
CLIMATIC	
CLIMATIC CATEGORY	25/070/04
TEMPERATURE RANGE	-25°C TO 70°C
DAMP HEAT, STEADY STATE	4 DAYS

PART NUMBERS	SILVER CONTACTS		GOLD CONTACTS	
	NICKEL	BLACK	NICKEL	BLACK
4 - WAY	700-0400	708-0400	704-0400	712-0400
5 - WAY	700-0500	708-0500	704-0500	712-0500

PROPRIETARY AND CONFIDENTIAL:
 THE INFORMATION CONTAINED IN THIS DRAWING IS THE SOLE PROPERTY OF ALPHA 3 MANUFACTURING. ANY REPRODUCTION IN PART OR AS A WHOLE WITHOUT THE WRITTEN PERMISSION OF ALPHA 3 MANUFACTURING IS PROHIBITED.
 DEM Manufacturing is a division of Alpha 3 Manufacturing LTD
 DEM Manufacturing, Deltron Emcon House, Hargreaves Way, Sawcliffe Ind. Park, Scunthorpe, North Lincolnshire, DN15 8RF, UK

UNLESS OTHERWISE SPECIFIED DIMENSIONS ARE IN MILLIMETRES
 LINEAR & RADIAL TOLERANCE:
GENERAL SPECIFICATION ONLY

IF IN DOUBT ASK! DO NOT SCALE DRAWING!
 FINISH SEE NOTE
 MATERIAL SEE NOTE
 THE FINISHED PRODUCT SHOULD BE CLEAN AND FREE FROM ALL LIQUIDS AND DEBRIS. SURFACES SHOULD BE OF UNIFORM APPEARANCE FREE FROM SHARP EDGES, BURRS AND CORROSION

AUTHOR SB
 EDITOR DT
 APPROVER DT
 THIRD ANGLE PROJECTION
 SHEET 1 OF 1
 SCALE 1:1 A4

TITLE GENERAL SPECIFICATION
 FILE 700-704-708-712
 PART 4 AND 5 WAY CONNECTORS
 ISSUE/REV. 008
 EDIT DATE 07/09/2021
 RELEASED
 RELEASE DATE 07/09/2021