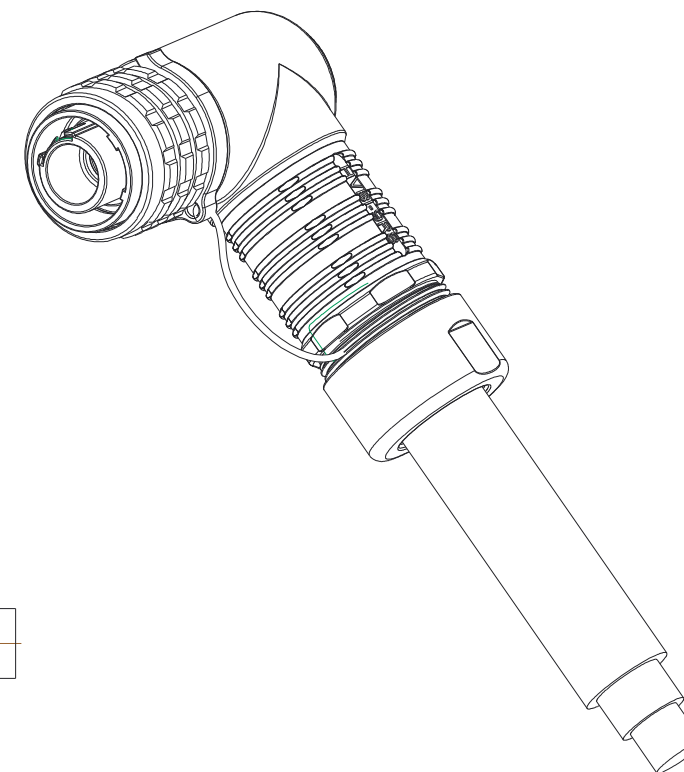
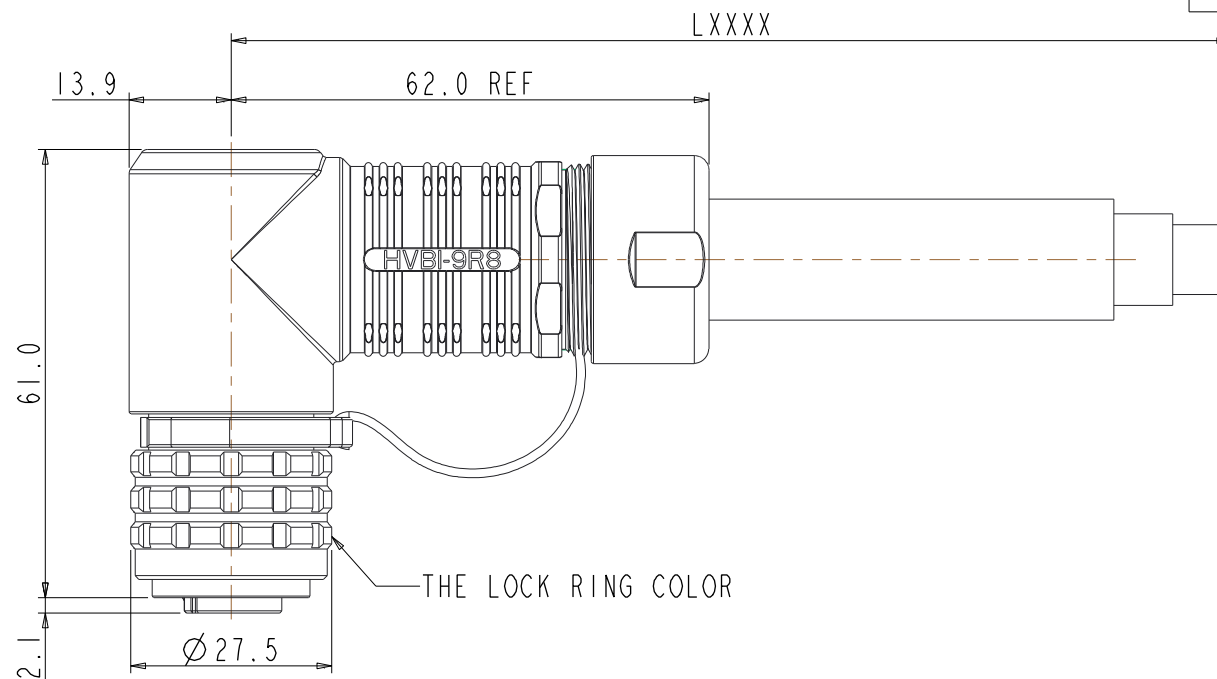
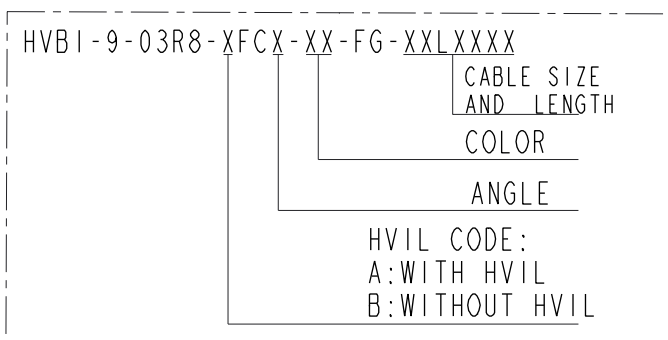
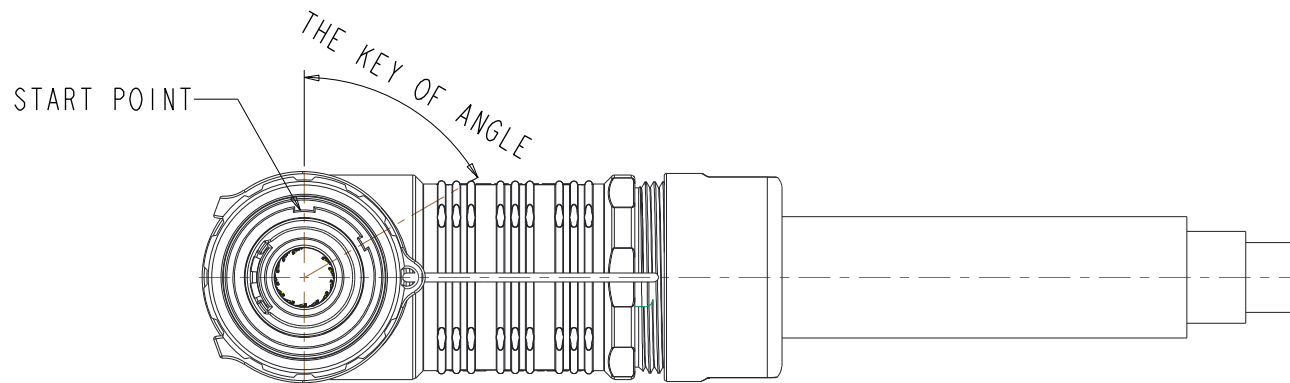


REV	ECN	DESCRIPTION	DATE	MODIFIED
3		PRE-RELEASE	2016.06.08	ROY.QU

# CUSTOMER DRAWING



SCOPE OF CABLE OUTSIDE DIAMETER	
SIZE	OUTSIDE DIAMETER
50MM <sup>2</sup> WITH SHIELD	16.0~17.5 MM
35MM <sup>2</sup> WITH SHIELD	13.5~15.2 MM



HVBI-9-03R8-XFCX-XX-FGXLLXXXX

HVBI-9-03R8-XFCX-XX-FGXLLXXXX

TECHNICAL DATA	
CURRENT RATE(50MM <sup>2</sup> CABLE)	UP TO 180A
CURRENT RATE(35MM <sup>2</sup> CABLE)	UP TO 150A
UL RATING VOLTAGE (OVERVOLTAGE CATEGORY II POLLUTION DEGREE 2)	1000V DC
OPERATING TEMPERATURE	-40~125°C
DIELECTRIC WITHSTANDING VOLTAGE	3000V AC
INSULATION RESISTANCE	2000MΩ MIN. 25°C, NO CABLE
DURABILITY	200 CYCLES
SHIELDING	YES
WATERPROOF(MATED CONDITION)	IP 67
PROTECTION LEVEL	IP2XB
AMBIENT TEMPERATURE	-40~70°C

WIHT HVIL		
P/N	DESCRIPTION	
	KEY OF ANGLE	LOCK RING COLOR
HVBI-903R8-AFCA-RD-FG-50L0000	30°	RED
HVBI-903R8-AFCB-BK-FG-50L0000	60°	BLACK
HVBI-903R8-AFCC-YL-FG-50L0000	90°	YELLOW
HVBI-903R8-AFCD-GR-FG-50L0000	120°	GREEN
HVBI-903R8-AFCE-BL-FG-50L0000	150°	BLUE
HVBI-903R8-AFCF-PU-FG-50L0000	180°	PURPLE

WIHTOUT HVIL		
P/N	DESCRIPTION	
	KEY OF ANGLE	LOCK RING COLOR
HVBI-903R8-BFCA-RD-FG-50L0000	30°	RED
HVBI-903R8-BFCB-BK-FG-50L0000	60°	BLACK
HVBI-903R8-BFCC-YL-FG-50L0000	90°	YELLOW
HVBI-903R8-BFCD-GR-FG-50L0000	120°	GREEN
HVBI-903R8-BFCE-BL-FG-50L0000	150°	BLUE
HVBI-903R8-BFCF-PU-FG-50L0000	180°	PURPLE

DIMENSIONS	TOLERANCES	PROJECTION	TITLE		
ANSI Y14.5M UNITS: MM Pro/E FILE	X ±0.3 .XX ±0.20 ANGLES ±0.5°		Amphenol Pcd Shenzhen		
ORIGINAL NOT FOR CUSTOMER DISTRIBUTION	THIS DOCUMENT CONTAINS PROPRIETARY INFORMATION WHICH IS THE CONFIDENTIAL PROPERTY OF AMPHENOL PCD SHENZHEN	ENGR ROY.QU 2016.06.08	HVBI-9R8 PLUG		
			CHKD APPD	SIZE A3	DWG NO. HVBI-9-03R8-XFCX-XX-FGXLLXXXX
			CODE: 58982	SCALE: 2:1	SHEET 1 OF 1