

TECHNICAL SPECIFICATIONS

D-Sub Hood:

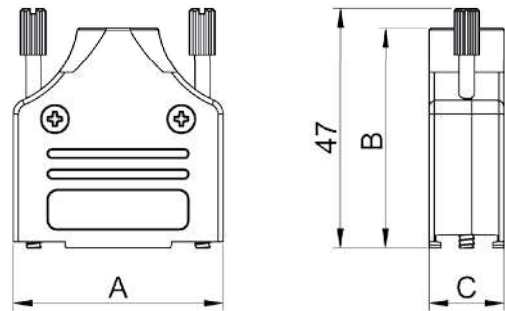
Material: Zinc, Nickel Plated
 Operating Temperature: -40°C to +120°C
 Cable Entry: Top Entry
 Thumbscrews: UNC 4-40 (Standard)
 Cable O.D: Up to 13mm

D-Sub High Density:

Insulator: PBT, Black, UL94 V-0
 Shell: Stamped Steel, Tin Plated
 Contact pins: Copper Alloy
 Stamped & Formed pins: 100 inserts min
 Contacts Plating: Selective Gold over Nickel
 Operating Temperature: -55°C to +105°C
 Withstanding voltage: 500V for 1 minute
 Insulator resistance: 500MΩ min

Features:

- Available in sizes 9-15-25-37
- 360° EMI Shielding
- Quick assembly
- Supports all types of cables
- Suitable for any common D-Sub connector



D-Sub-Hood

Size MHDM	Dim A	Dim B	Dim C
9-way	32,2	41,3	15,4
15-way	40,6	43,3	15,4
25-way	54,5	49,5	15,4
37-way	70,7	54,3	15,4

Ordering information:

D-Sub Connector Kits (100 inserts min.)

Size:	P/N - Kitted:	Product Code - MALE Conn. Kit
HD 15	6355-0059-01	MHDM-09-HDP15-K
HD 26	6355-0059-02	MHDM-15-HDP26-K
HD 44	6355-0059-03	MHDM-25-HDP44-K
HD 62	6355-0059-04	MHDM-37-HDP62-K

Size:	P/N - Kitted:	Product Code - FEMALE Conn. Kit
HD 15	6355-0059-11	MHDM-09-HDS15-K
HD 26	6355-0059-12	MHDM-15-HDS26-K
HD 44	6355-0059-13	MHDM-25-HDS44-K
HD 62	6355-0059-14	MHDM-37-HDS62-K