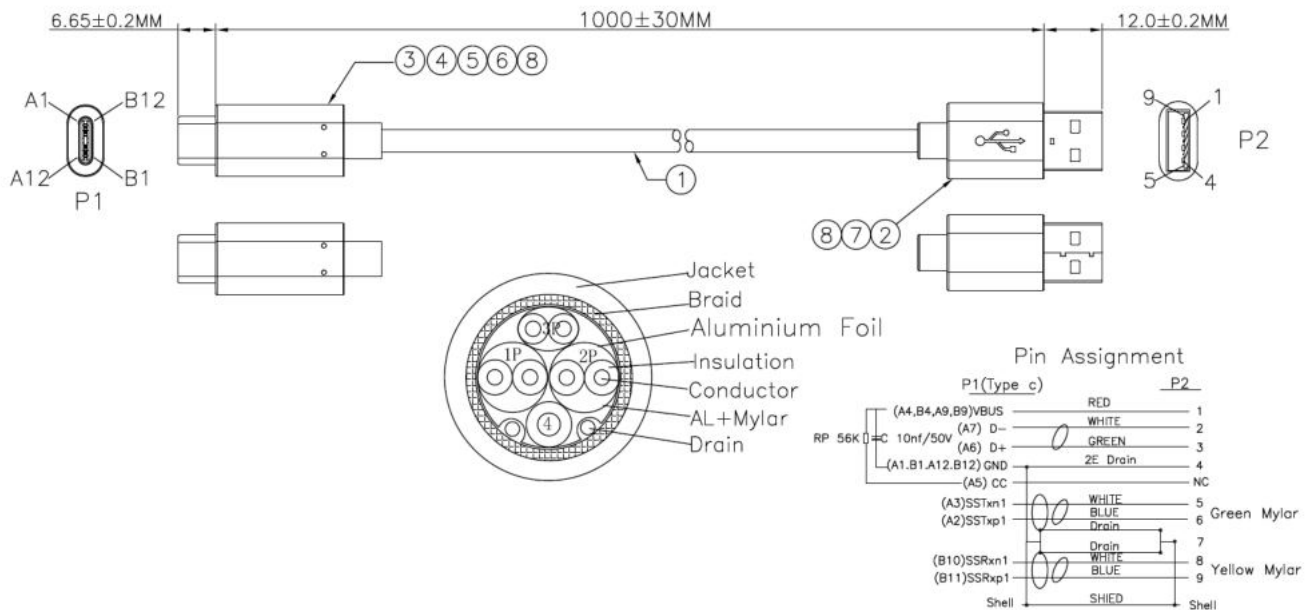


USB 3.0 C to USB 3.1 A Cable



SPECIFICATION:

Contact Resistance	2ohm max.
Insulation Resistance	10Mohm min (DC300V/10ms)
Length	1000mm
Cable Jacket Colour (10)	PVC black
Cable Marking (9)	No marking
Over Mold (8)	45P black PVC
Inner Mold (7)	Transparent PE
Inner Mold (6)	Low pressure internal mold
Tin (5)	USB type C, on the tin plated nickel
Tin (4)	USB type C, under the tin plated nickel
Connector (3)	USB 3.0 type C, PCB+SMT
Connector (2)	USB 3.0 A(M) shell, nickel plated, blue rubber core
Wire Specification (1)	USB 3.1 [30AWG(7/0.107TC)+EAM]*2P+[30AWG(7/0.10TC)+A]*1P +24AWG(26/0.10TC)*1C+A2EB(16/8/0.10TC85%)OD:4.5mm black



Art. Nr.
RND 765-00097